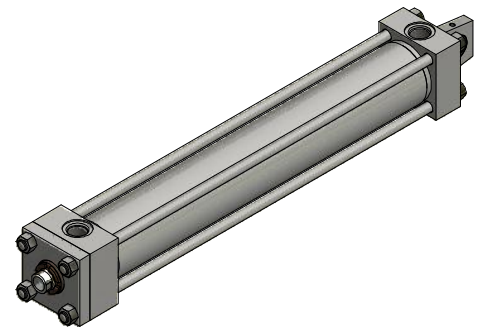
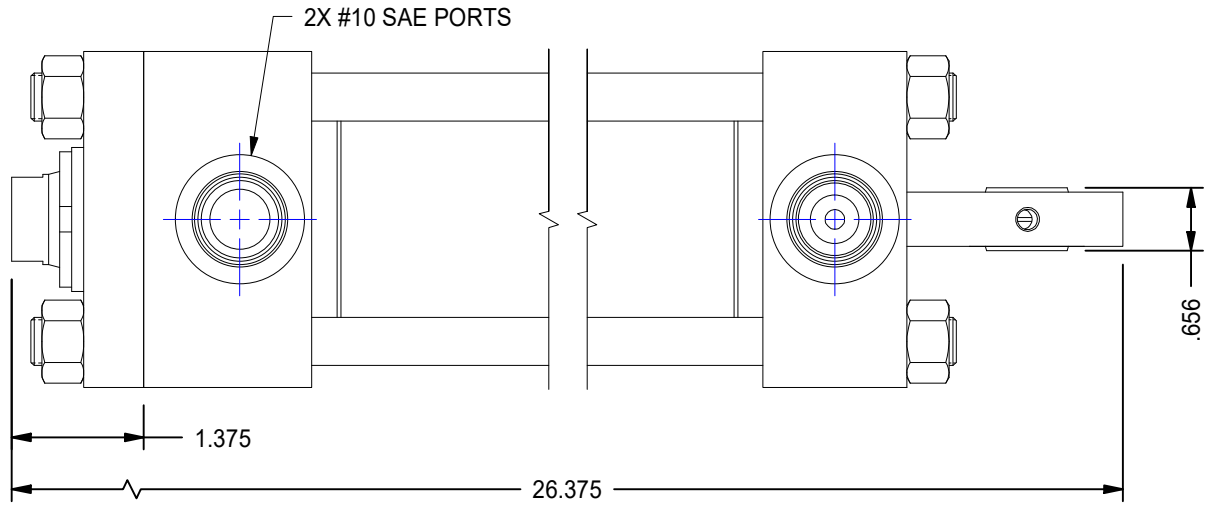


1

2

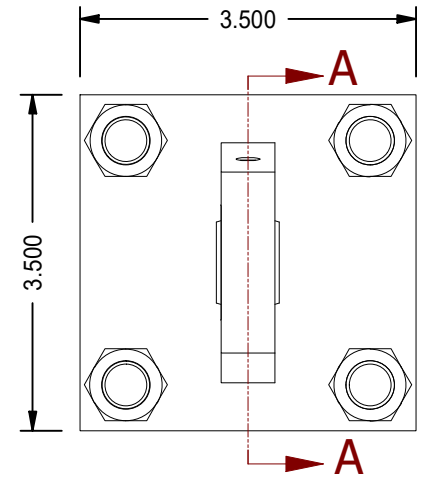
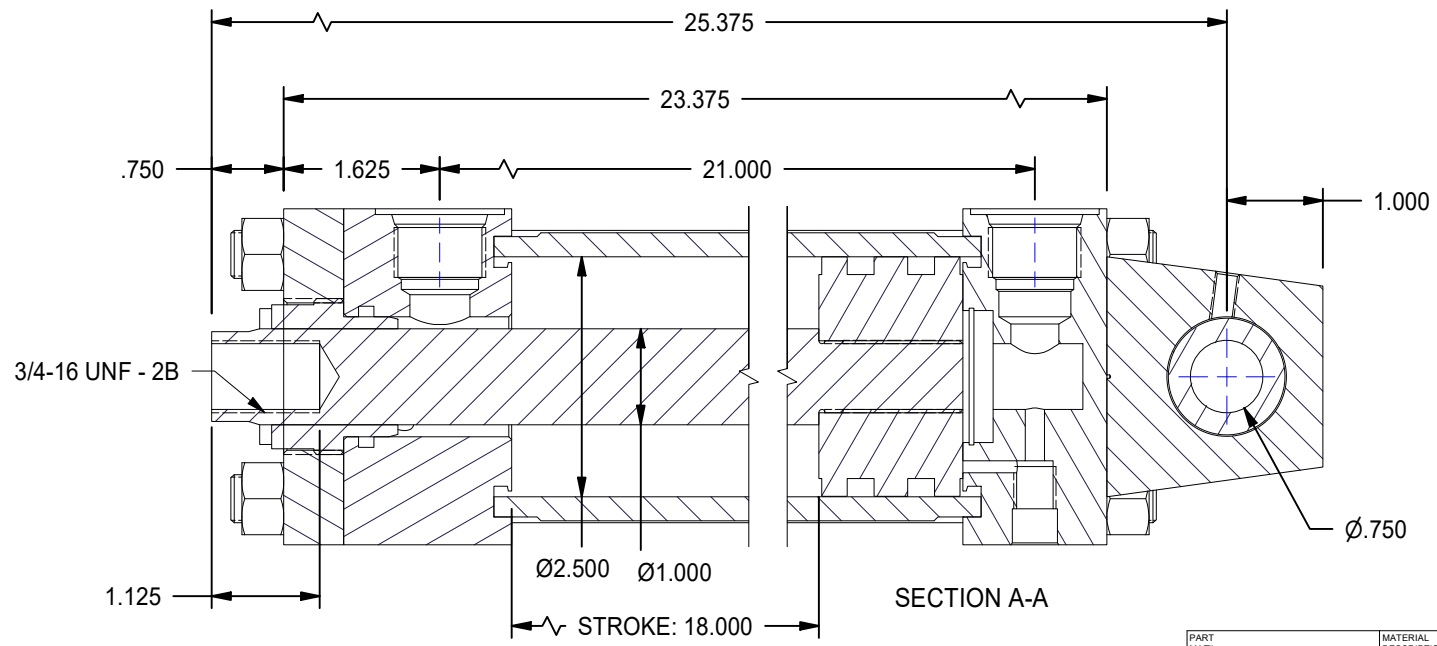
A

A



B

B



B

B

1

2

| DATE | INITL | DESCRIPTION | REV |
|------|-------|-------------|-----|
| | | | |

| | | |
|--|---|---|
| <p>TITAN WORLDWIDE INC. 701 MONTREAL STREET THUNDER BAY, ON P7E 3P2 CANADA TEL: 807-474-5337 FAX: 807-623-5692 www.titanworldwide.com</p> | MATERIAL DESCRIPTION: *UNLESS OTHERWISE NOTED* MACHINING TOLERANCES: X.X = ±0.03 X.XX = ±0.01 X.XXX = ±0.005; ØX.XXX = ±0.001 BREAK ALL SHARP EDGES: 0.005 - 0.01 | CUT LENGTH / BLANK SIZE: * ALLOWANCE DRAWN: DATE: 2021-03-25 ENGINEER: FILE NAME: TRH2.50MP5LT14X18.00.idw WEIGHT: 35.333 lbmass |
| | SHEET SIZE: A SHEET: 1 OF 1 TITLE: TRH2.50MP5LT14X18.00 C.N.C No: DRAWING No: | REVISION: A |