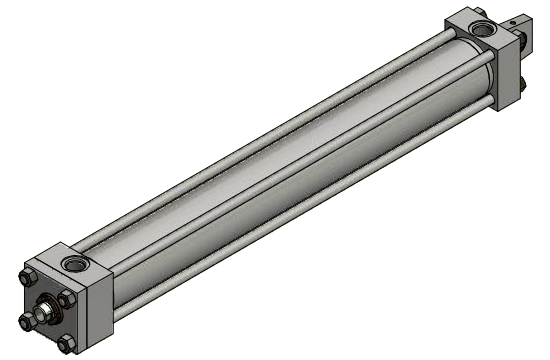
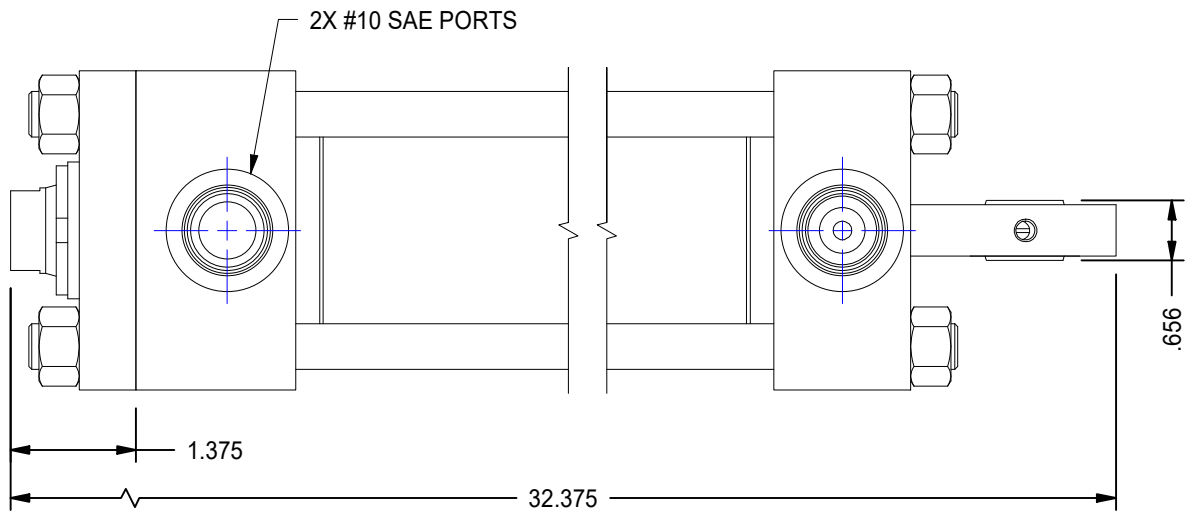


1

2

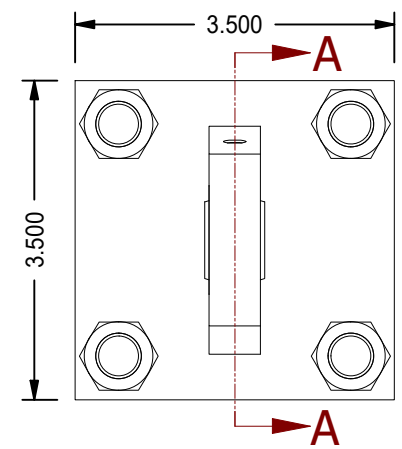
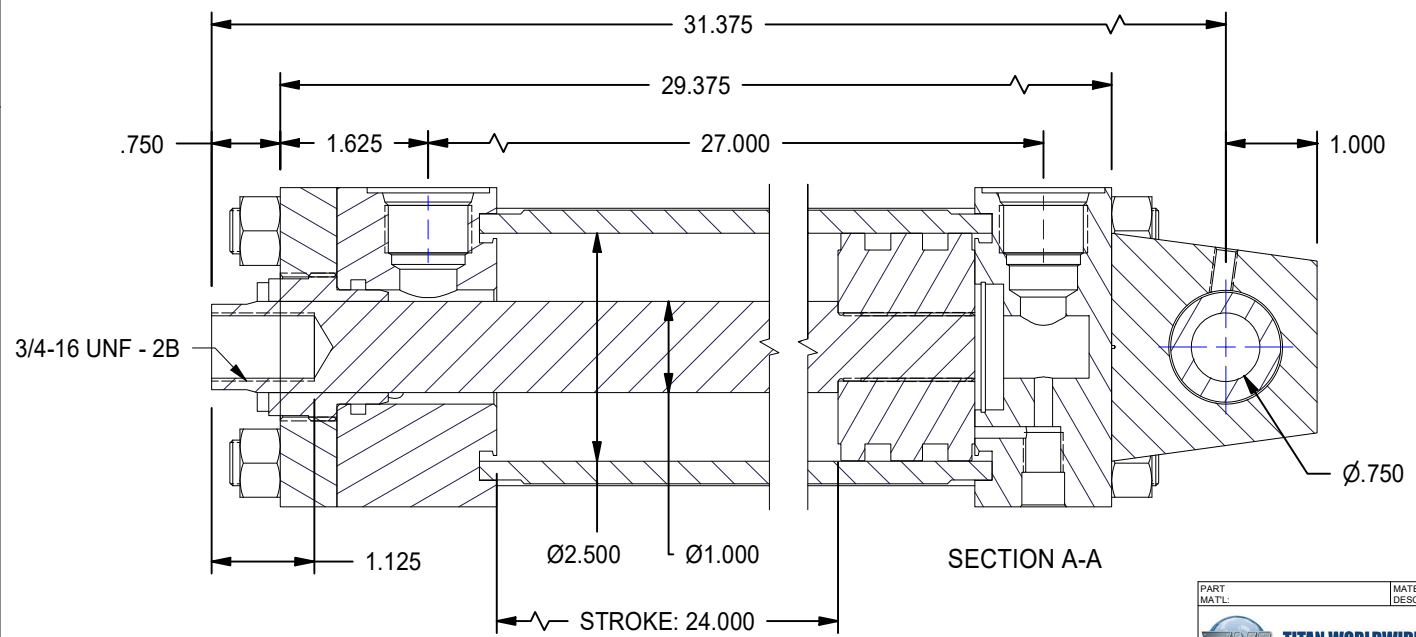
A


A



B

B



<b>PART MATL:</b>  <b>TITAN WORLDWIDE INC.</b> <small>701 MONTREAL STREET THUNDER BAY, ON P7E 3P2 CANADA TEL: 807-474-5337 FAX: 807-623-5692 www.titanworldwide.com</small>	<b>MATERIAL DESCRIPTION:</b> <b>MACHINING TOLERANCES:</b> X.X = ±0.03 X.XX = ±0.01 X.XXX = ±0.005 : ØX.XXX = ±0.001 <b>BREAK ALL SHARP EDGES: 0.005 - 0.01</b>	<b>CUT LENGTH / BLANK SIZE:</b> * ALLOWANCE	
		<b>ENGINEER:</b>	<b>DATE:</b> 2021-03-25
<b>SHEET SIZE:</b> A	<b>SHEET:</b> 1 OF 1	<b>FILE NAME:</b> TRH2.50MP5LT14X24.00.idw	
<b>TITLE:</b> TRH2.50MP5LT14X24.00		<b>WEIGHT:</b> 41.680 lbmass	
<b>C.N.C No:</b>		<b>REVISION:</b> A	
<b>DRAWING No:</b>			

1

2

DATE	INITL	DESCRIPTION	REV