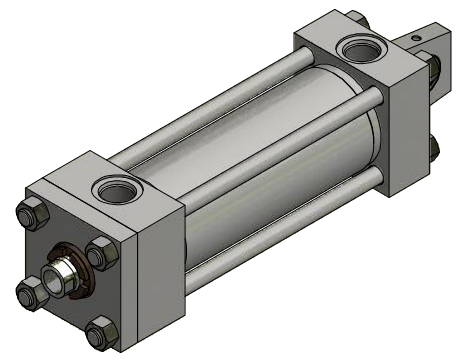
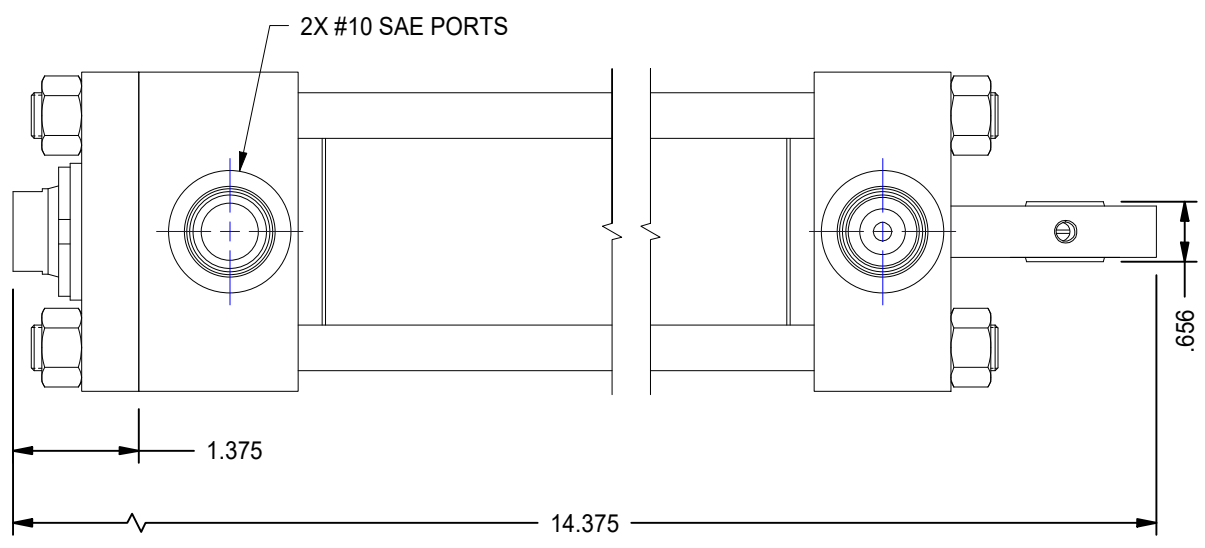


1

2

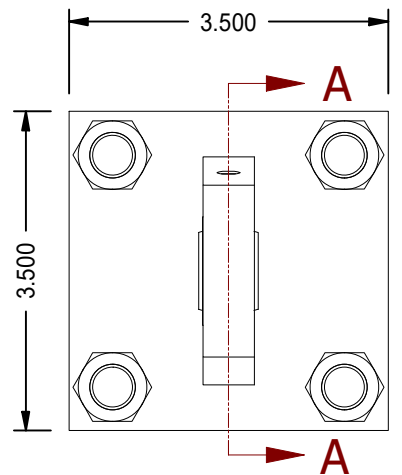
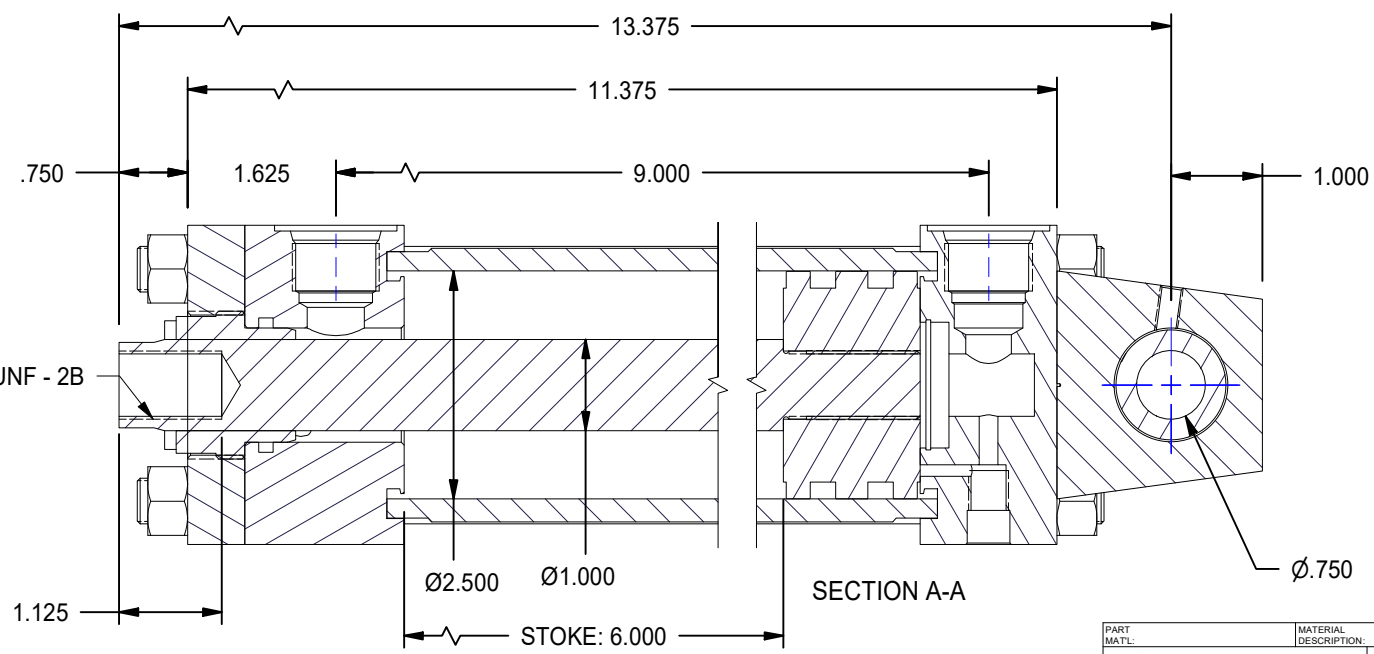
A

A




B

B



B

B

PART MATL:  TITAN WORLDWIDE INC. <small>Titan World Inc. One that progresses in size or power. One that stands out for generations of achievement.</small> PHONE: 807-474-6337 FAX: 807-623-5692 EMAIL: info@titanworldwide.com WEB: www.titanworldwide.com	MATERIAL DESCRIPTION:	CUTLENGTH/ BLANK SIZE:	* ALLOWANCE DATE: 2021-03-25
	MACHINING TOLERANCES: X.X = ±0.03 X.XX = ±0.01 X.XXX = ±0.005 ; ØX.XXX = ±0.001 BREAK ALL SHARP EDGES: 0.005 - 0.01	ENGINEER:	FILE NAME: TRH2.50MP5LT14X6.00 idw
SHEET SIZE: A	SHEET: 1 OF 1	TITLE: TRH2.50MP5LT14X6.00	
701 MONTREAL STREET THUNDER BAY, ON P7E 3P2 CANADA TEL: 807-474-5337 FAX: 807-623-5692 www.titanworldwide.com		C.N.C No:	REVISION: A
DRAWING No:		DATE INTL REV DESCRIPTION	

1

2

