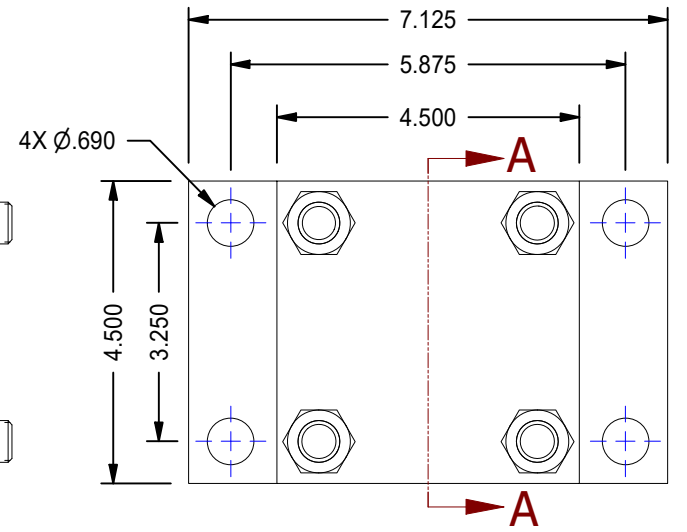
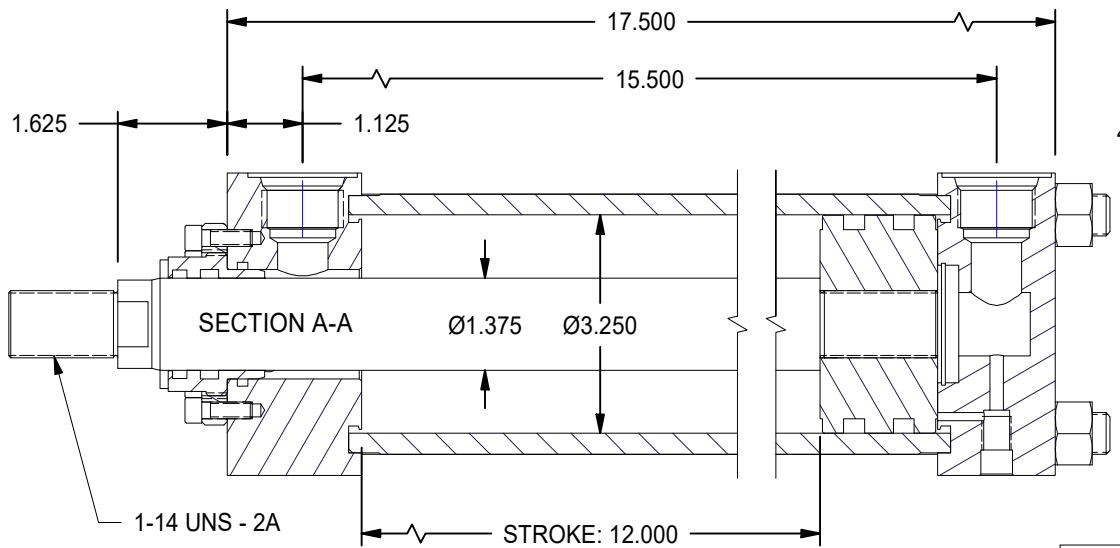
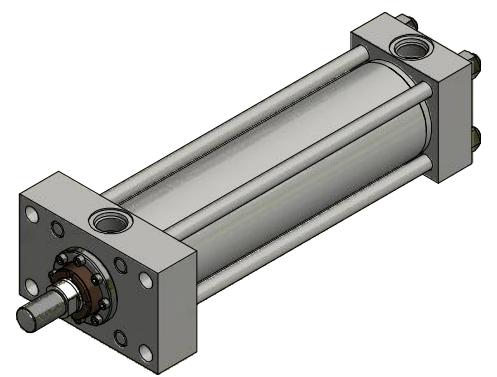
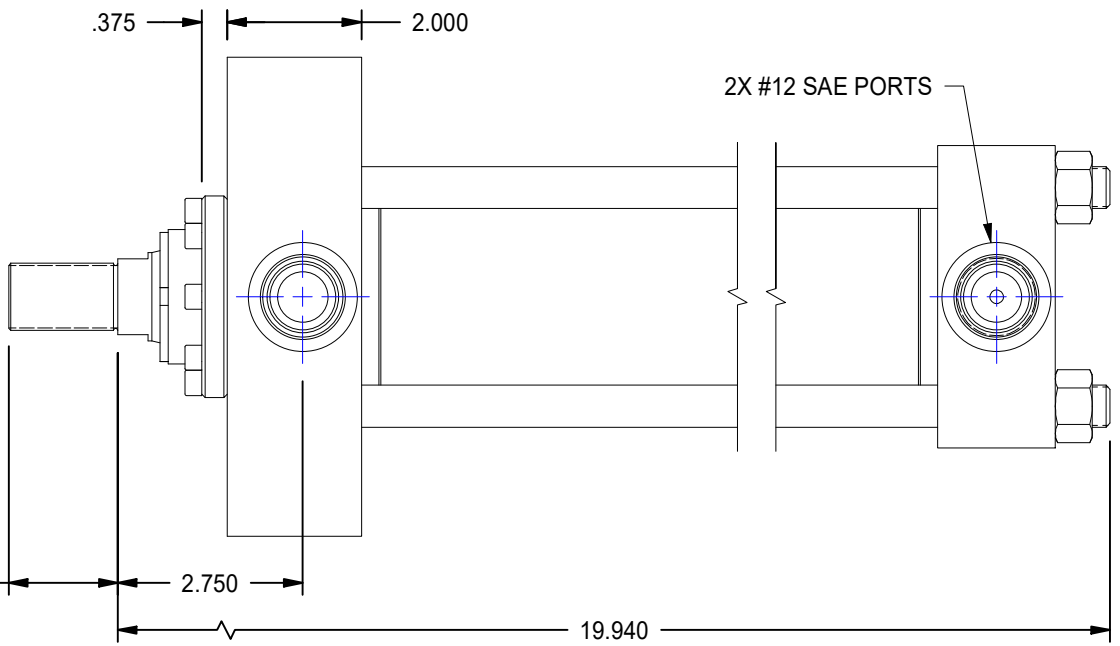


1

2



A

A

B

B

1

2

DATE	INTL	DESCRIPTION	REV

MODEL NUMBER:

**TITAN WORLDWIDE INC.**  
31 Year ISO 9001  
 Clear that is applied to date of power. One that stands out for  
 greatness of achievement!

701 MONTREAL STREET  
 THUNDER BAY, ON  
 P7E 3P2  
 CANADA  
 TEL: 807-474-5337  
 FAX: 807-623-5692  
 www.titanworldwide.com

PROJECT/CUSTOMER INFO:		DSGND:	DATE: 2011-01-21
		CAPACITY:	3000 psi
		WEIGHT:	54.393 lbmass
SHEET SIZE: A	SHEET: 1 OF 1	FILENAME:	TRH3.25ME5LT14X12.00.idw
TITLE: TRH3.25ME5LT14X12.00			
DRAWING No:			REVISION: