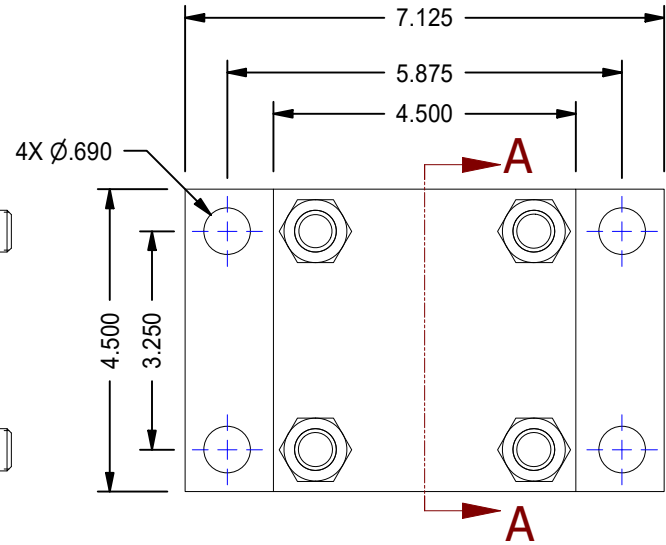
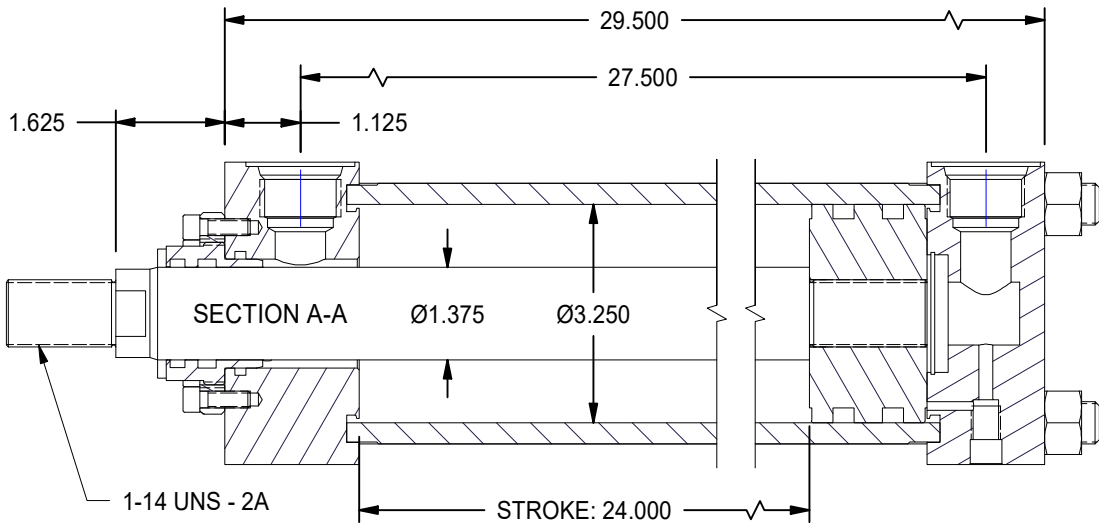
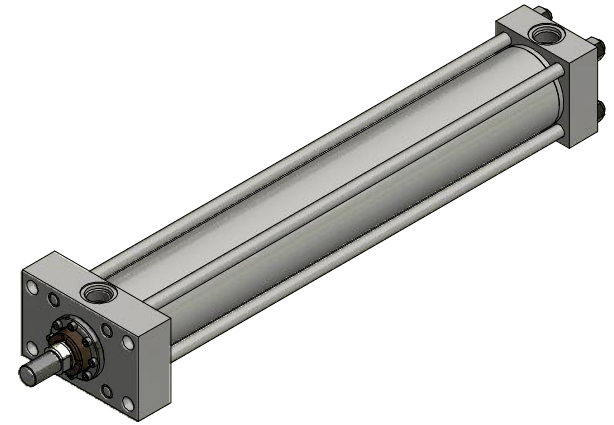
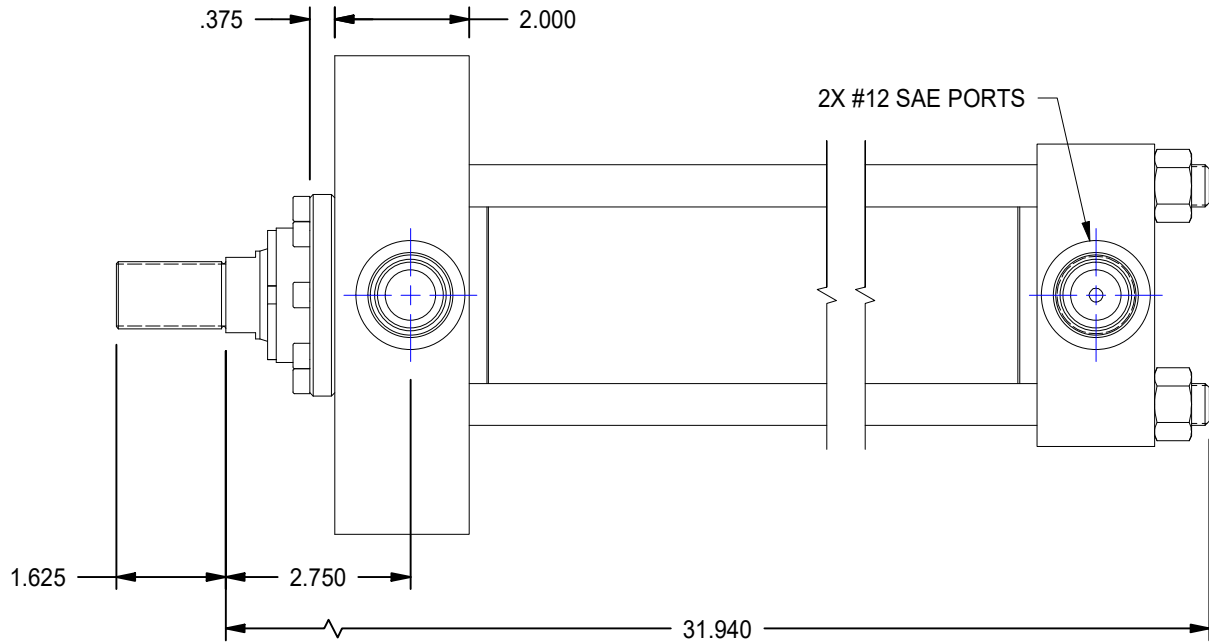


1

2




A

A

B

B

MODEL NUMBER:		PROJECT/CUSTOMER INFO:		DSGND:	DATE: 2011-01-21
 TITAN WORLDWIDE INC. <small>31 ton 5000 psi Clear tank all hydraulic in stock or power. One that stands out for greatness of achievement!</small> PHONE: 807-474-5337 FAX: 807-623-5692 EMAIL: info@titanworldwide.com WEB: www.titanworldwide.com 701 MONTREAL STREET THUNDER BAY, ON P7E 3P-2 CANADA TEL: 807-474-5337 FAX: 807-623-5692 www.titanworldwide.com		CAPACITY:	3000 psi	SHEET SIZE: A SHEET: 1 OF 1 FILENAME: TRH3.25ME5LT14X24.00.idw	
		WEIGHT:	75.534 lbmass	TITLE: TRH3.25ME5LT14X24.00	
DRAWING No:				REVISION:	

1

2

DATE	INTL	DESCRIPTION	REV