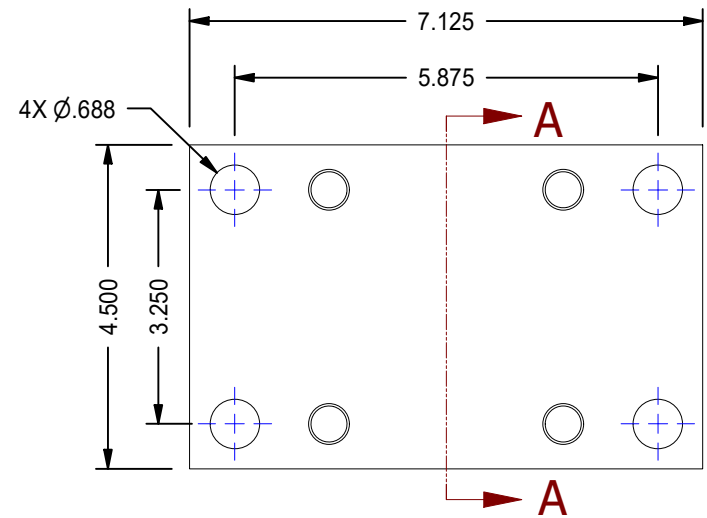
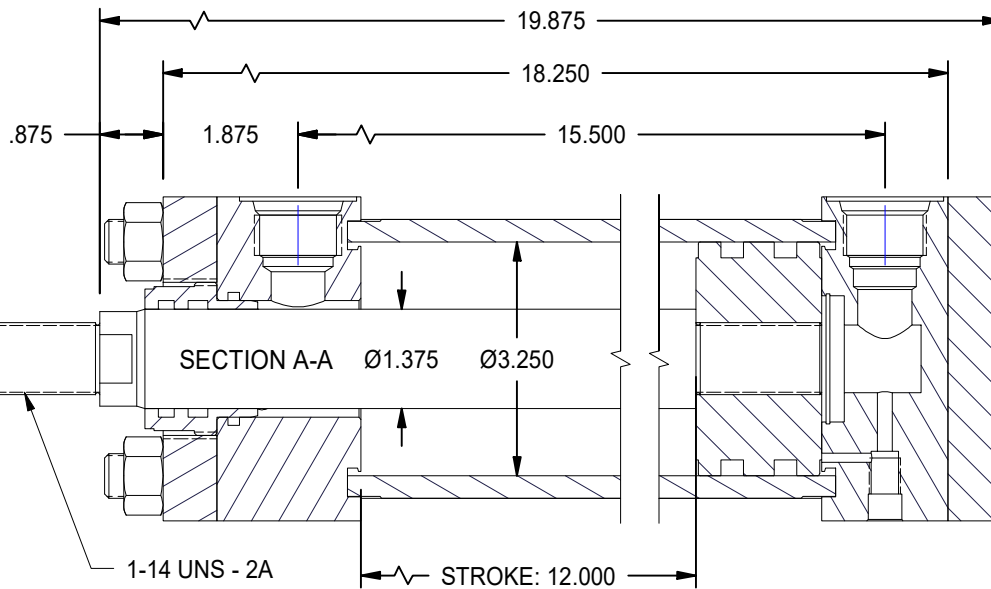
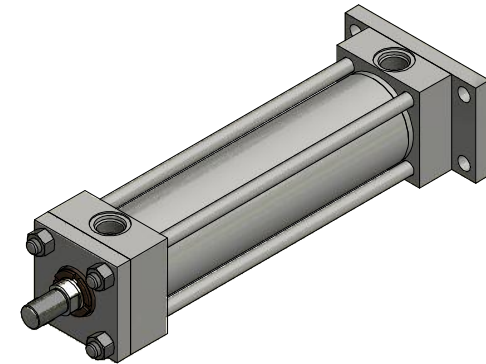
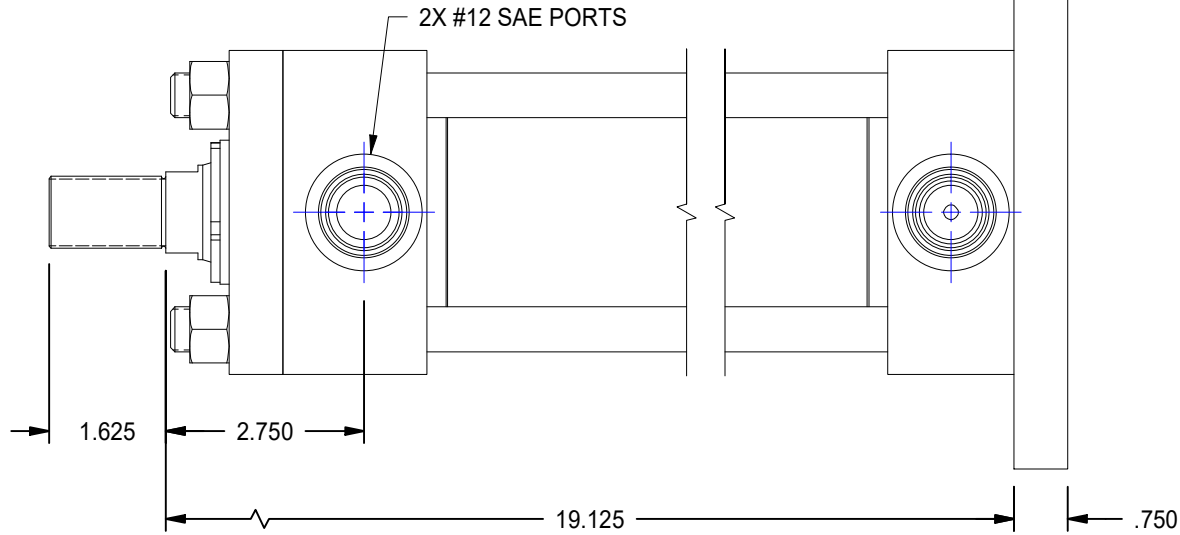


1

2


A

A



B

B

MODEL NUMBER:		PROJECT/CUSTOMER INFO:		DSGND:	DATE: 2011-01-21
 <b>TITAN WORLDWIDE INC.</b> <small>31 Year ISO 9001 Clear that all products are made in Canada. One that stands out for greatness of achievement!</small> PHONE: 807-474-5337 FAX: 807-623-5692 EMAIL: info@stanworldwide.com WEB: www.stanworldwide.com		CAPACITY: 3000 PSI		WEIGHT: 58.196 lbmass	
		SHEET: A SHEET: 1 OF 1 FILENAME: TRH3.25MF2LT14X12.00.idw		TITLE: TRH3.25MF2LT14X12.00	
701 MONTREAL STREET THUNDER BAY, ON P7E 3P-2 CANADA TEL: 807-474-5337 FAX: 807-623-5692 www.stanworldwide.com				DRAWING No:	
				REVISION:	

DATE	INTL	DESCRIPTION	REV

1

2

