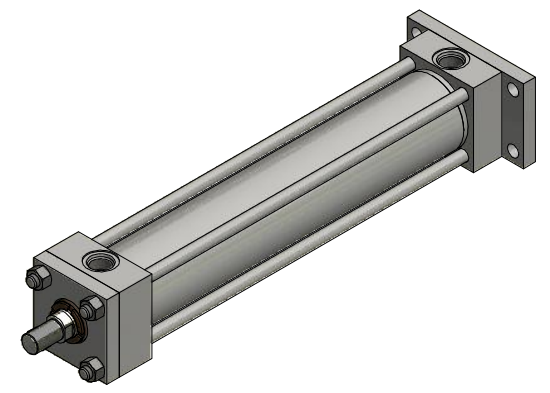
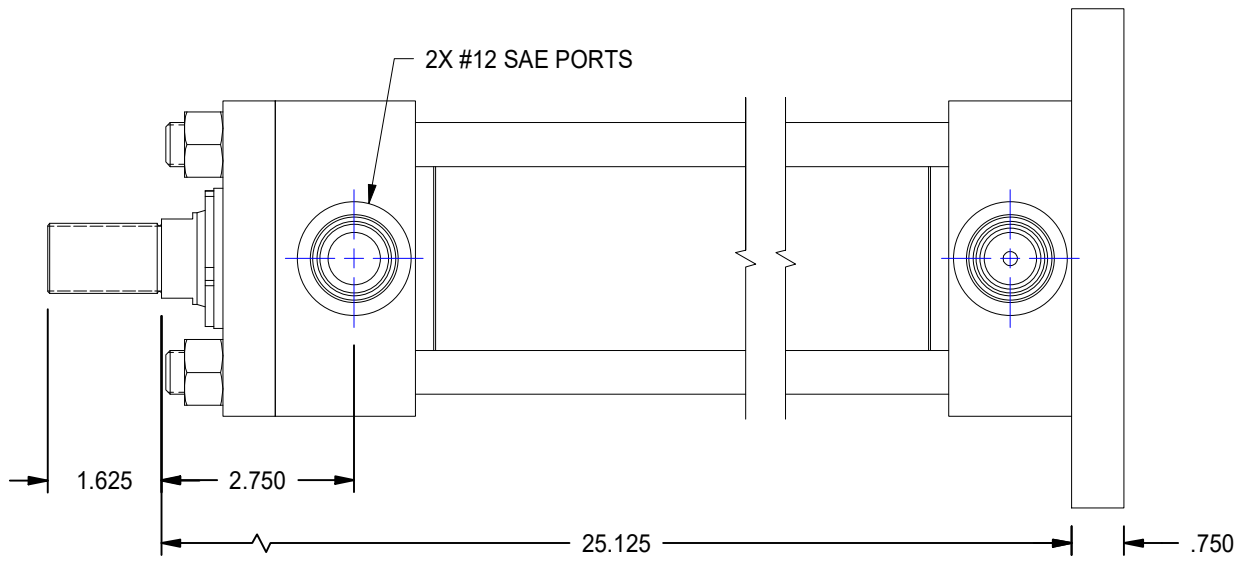


1

2

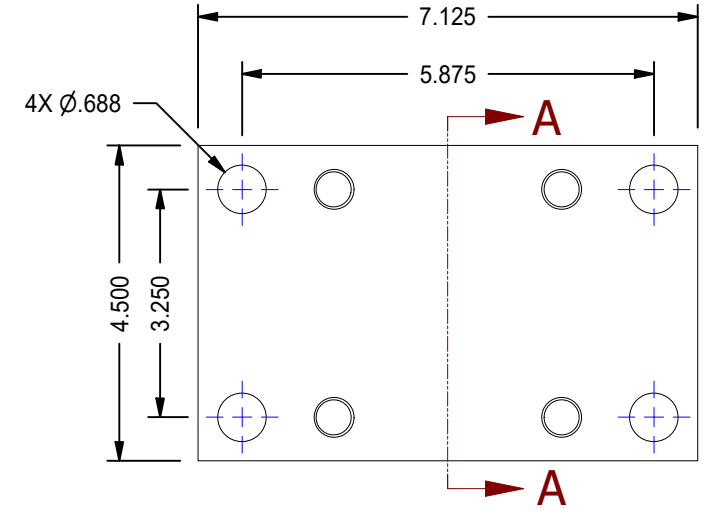
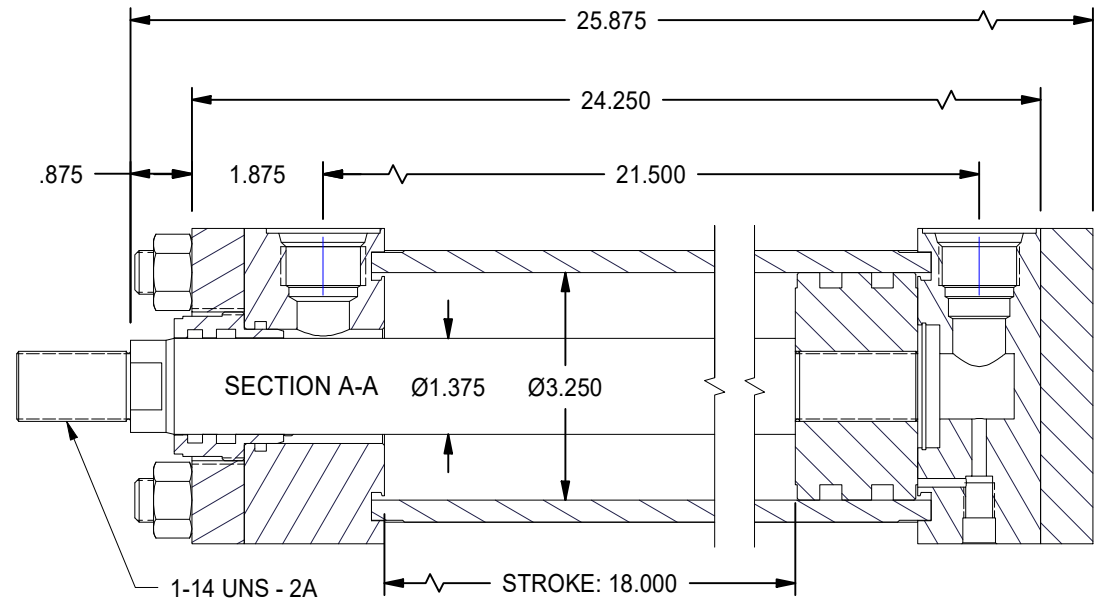
A

A



B

B




1

2



DATE	INTL	DESCRIPTION	REV

MODEL NUMBER:		PROJECT/CUSTOMER INFO:		DSGND:	DATE: 2011-01-21
 TITAN WORLDWIDE INC. <small>31 Sun Blvd. Clear Hill, AL 36016, U.S.A. Clear Hill is registered in state of power. One that stands out for greatness of achievement!</small>		CAPACITY: 3000 PSI		WEIGHT: 68.767 lbmass	
		SHEET: A		SHEET: 1 OF 1	
701 MONTREAL STREET THUNDER BAY, ON P7E 3P-2 CANADA TEL: 807-474-5337 FAX: 807-623-5692 www.titanworldwide.com		TITLE: TRH3.25MF2LT14X18.00			
DRAWING No:					REVISION: