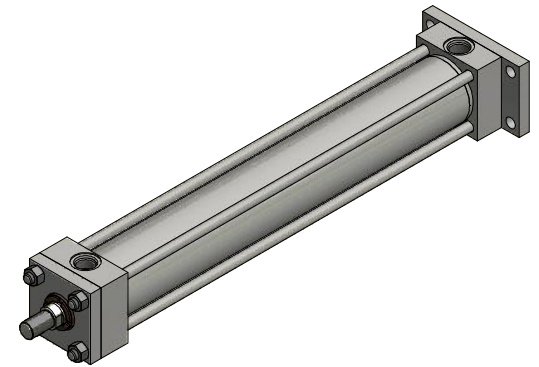
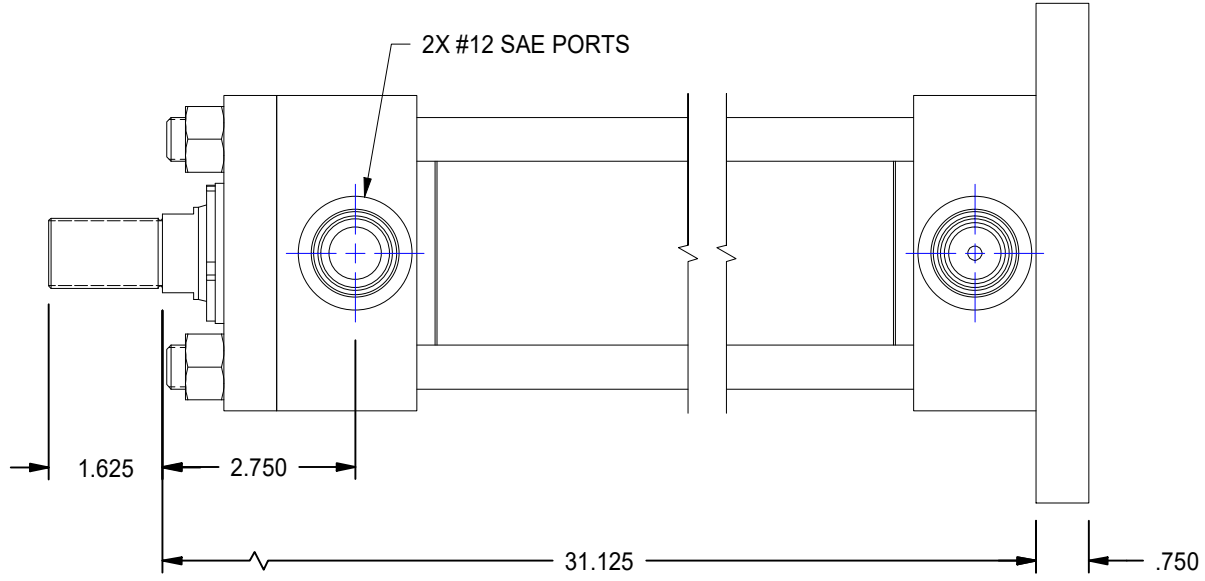


1

2

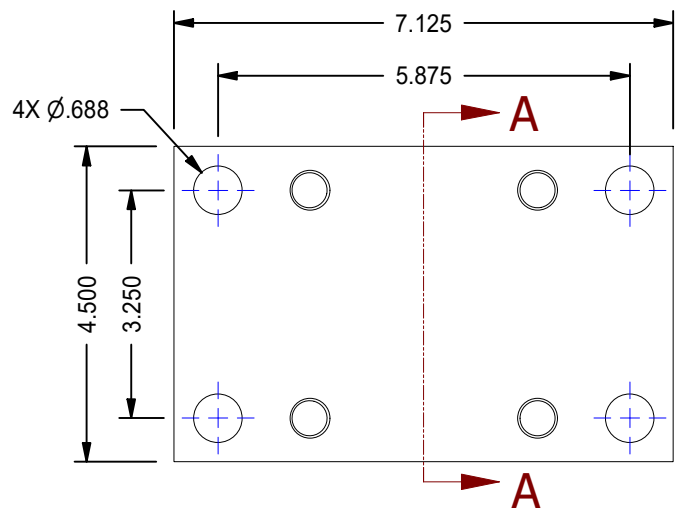
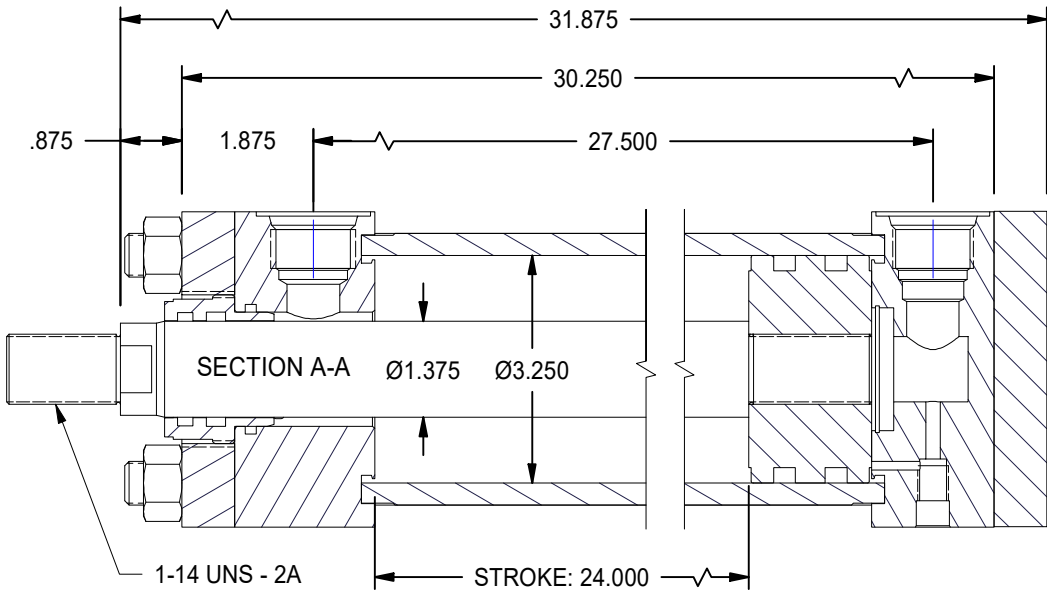
A

A



B

B




B

B

1

2

DATE	INTL	DESCRIPTION	REV

MODEL NUMBER:		PROJECT/CUSTOMER INFO:		DSGND:	DATE: 2011-01-21
 TITAN WORLDWIDE INC. <small>31 Year ISO 9001</small> <small>Clear title all goods in case of power. One that stands out for greatness of achievement!</small> <small>PHONE: 807-474-5337 FAX: 807-623-5692 EMAIL: info@titanworldwide.com WEB: www.titanworldwide.com</small>		CAPACITY: 3000 PSI		FILENAME: TRH3.25MF2LT14X24.00.idw	
		WEIGHT: 79.337 lbmass		SHEET: A SHEET: 1 OF 1	
701 MONTREAL STREET THUNDER BAY, ON P7E 3P-2 CANADA TEL: 807-474-5337 FAX: 807-623-5692 www.titanworldwide.com		TITLE: TRH3.25MF2LT14X24.00		DRAWING No:	
				REVISION:	