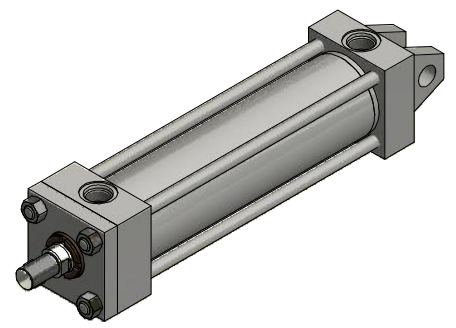
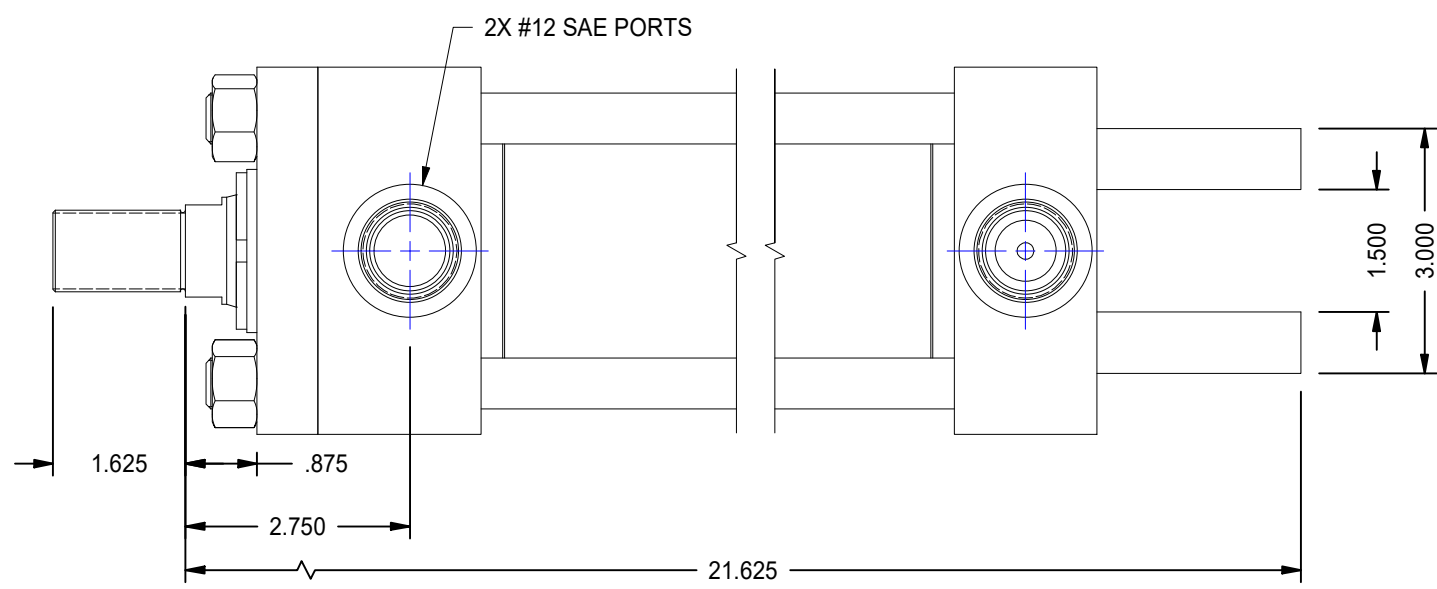


1

2

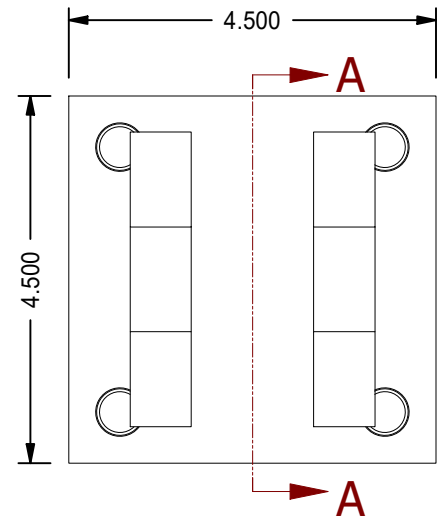
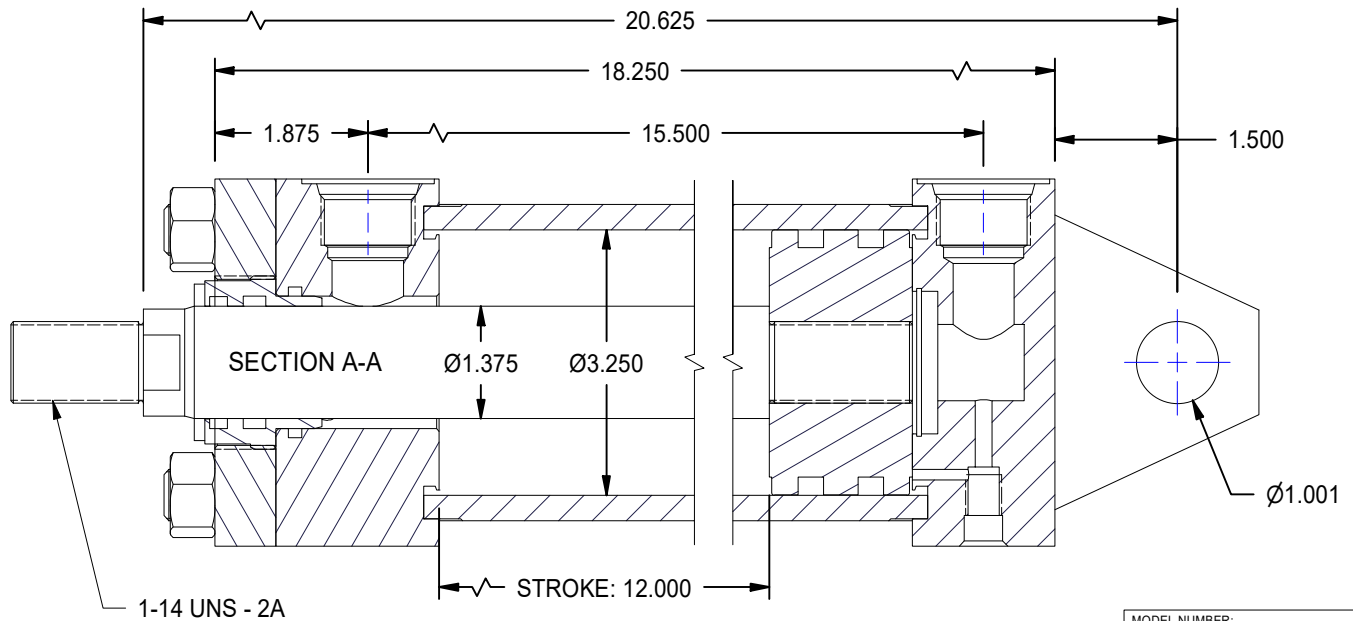
A

A



B


B



1

2

DATE	INTL	DESCRIPTION	REV

MODEL NUMBER:		PROJECT/CUSTOMER INFO:		DSGND:	DATE: 2013-12-02
 TITAN WORLDWIDE INC. <small>75 ton 2500 PSI Clear full air pressure in case of power. One that stands out for greatness of achievement!</small> PHONE: 807-474-5337 FAX: 807-623-5692 EMAIL: info@titanworldwide.com WEB: www.titanworldwide.com 701 MONTREAL STREET THUNDER BAY, ON P7E 3P-2 CANADA TEL: 807-474-5337 FAX: 807-623-5692 www.titanworldwide.com		CAPACITY:	3000 PSI	SHEET: A SHEET: 1 OF 1 FILENAME: TRH3.25MP1LT14X12.00.idw	
		WEIGHT:	54.065 lbmass	TITLE: TRH3.25MP1LT14X12	
DRAWING No:				REVISION:	