

1

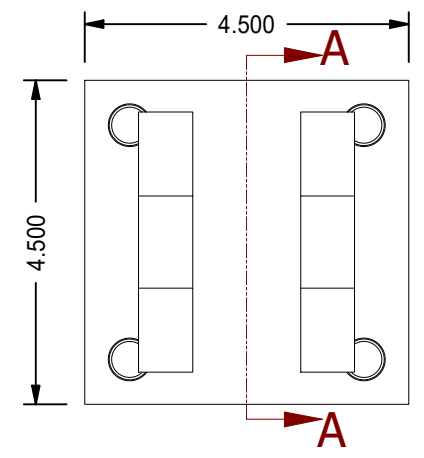
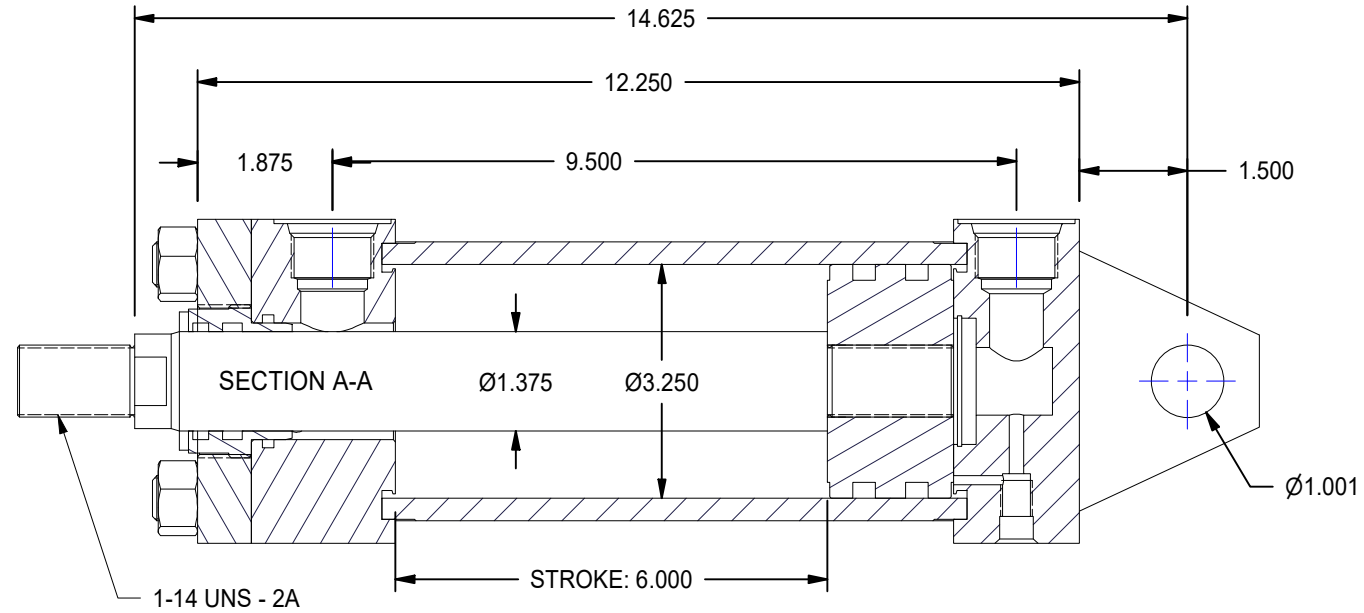
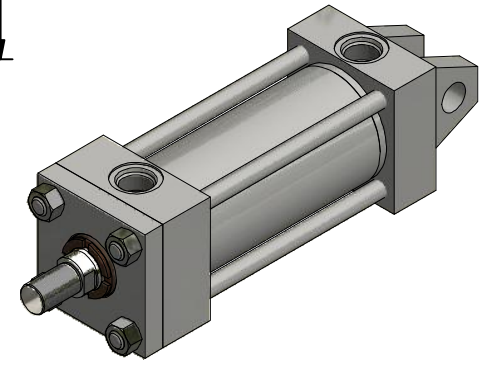
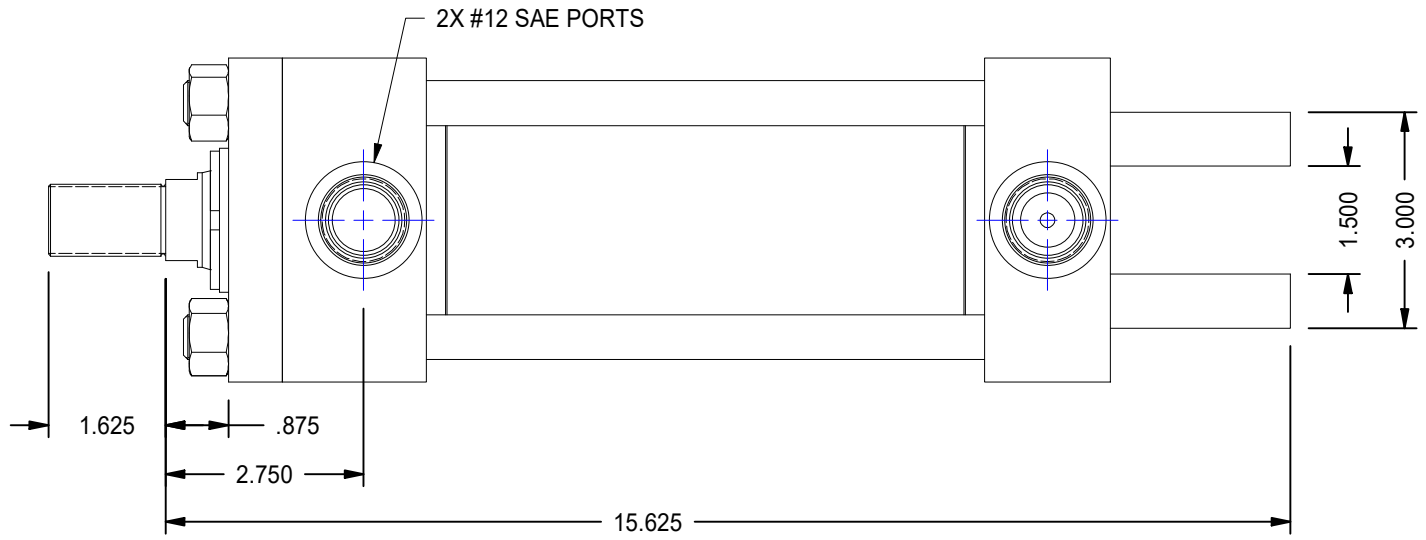
2

A

A

B

B




1

2



DATE	INTL	DESCRIPTION	REV

MODEL NUMBER:		PROJECT/CUSTOMER INFO:		DSGND:	DATE: 2013-12-02	
 TITAN WORLDWIDE INC. <small>31 rue 55th St. Clear Lake or Republic, in state or power. One that stands out for greatness of achievement</small>		CAPACITY: 3000 PSI		WEIGHT: 43.492 lbmass		
		SHEET: A SHEET: 1 OF 1 FILENAME: TRH3.25MP1LT14X6.00.idw		TITLE: TRH3.25MP1LT14X6.00		
701 MONTREAL STREET THUNDER BAY, ON P7E 3P-2 CANADA TEL: 807-474-5337 FAX: 807-423-5692 www.titanworldwide.com				DRAWING No:		REVISION: