

1

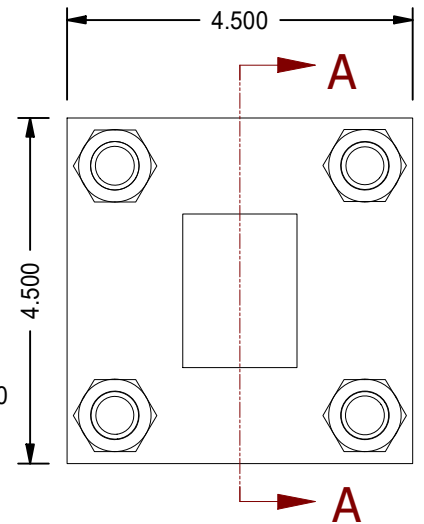
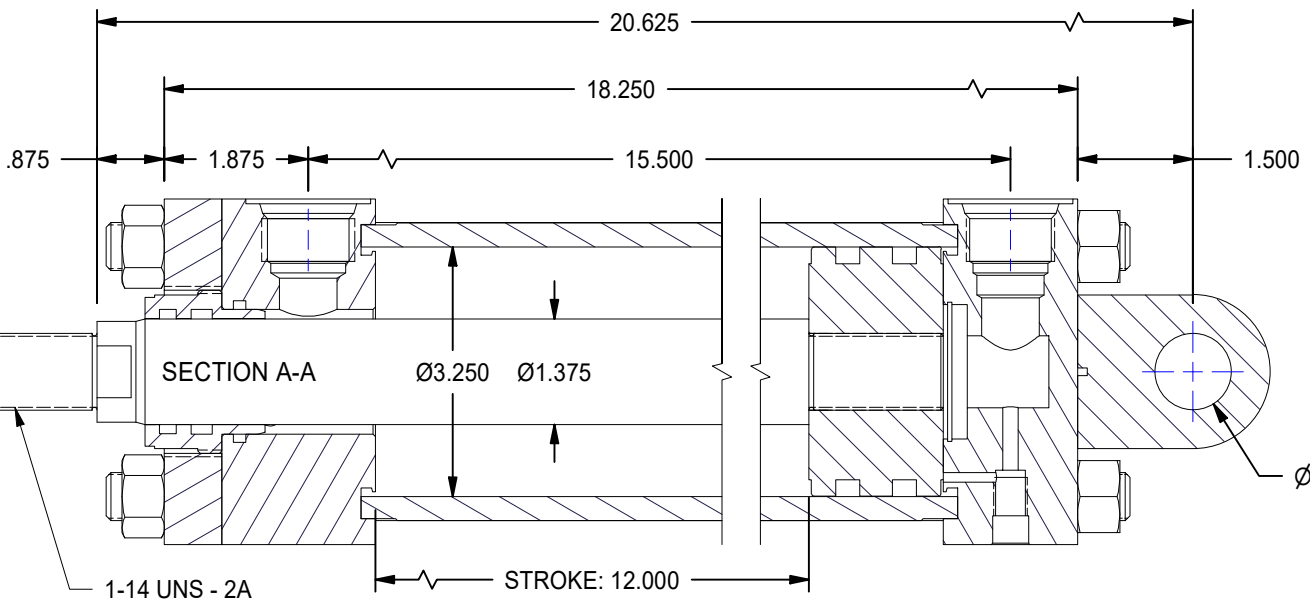
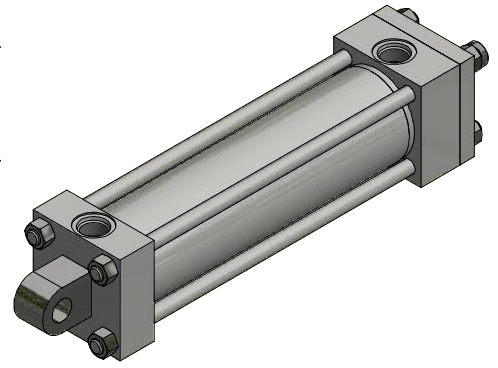
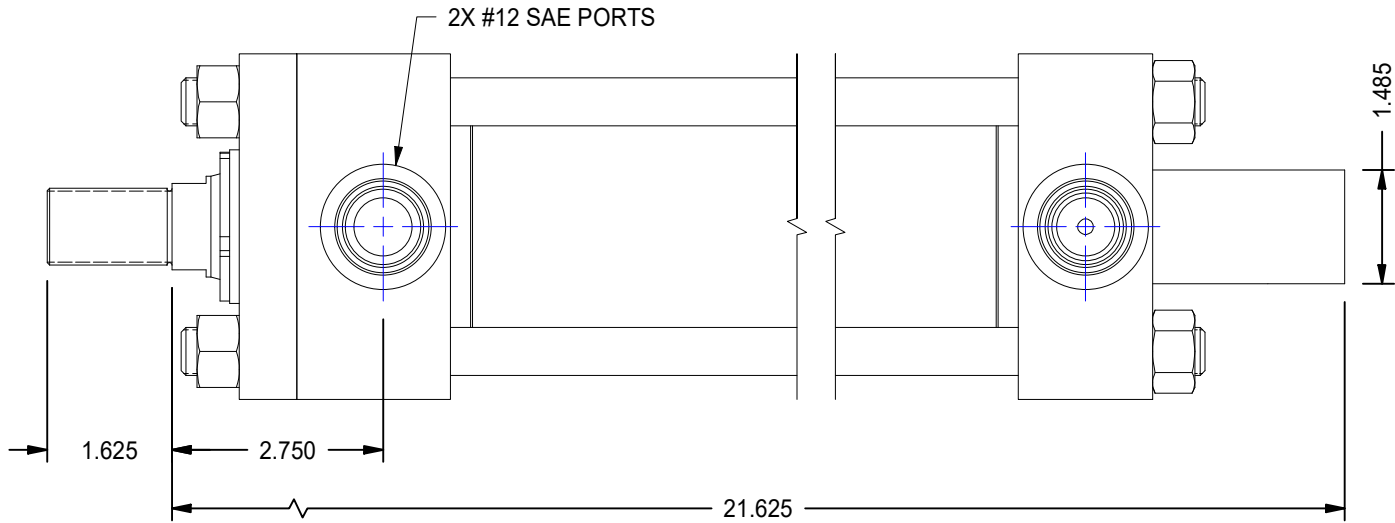
2

A

A

B


B



1

2

DATE	INTL	DESCRIPTION	REV

MODEL NUMBER:		PROJECT/CUSTOMER INFO:		DSGND:	DATE: 2011-01-21
 TITAN WORLDWIDE INC. <small>31 ton 5000 psi Clear fluid or glycol in case of power. One that stands out for greatness of achievement!</small> PHONE: 807-474-5337 FAX: 807-623-5692 EMAIL: info@stanworldwide.com WEB: www.stanworldwide.com 701 MONTREAL STREET THUNDER BAY, ON P7E 3P-2 CANADA TEL: 807-474-5337 FAX: 807-623-5692 www.titanworldwide.com		CAPACITY: 3000 psi		WEIGHT: 53.770 lbmass	
		SHEET: A SHEET: 1 OF 1 FILENAME: TRH3.25MP3LT14X12.00.idw		TITLE: TRH3.25MF2LT14X12.00	
DRAWING No:				REVISION:	