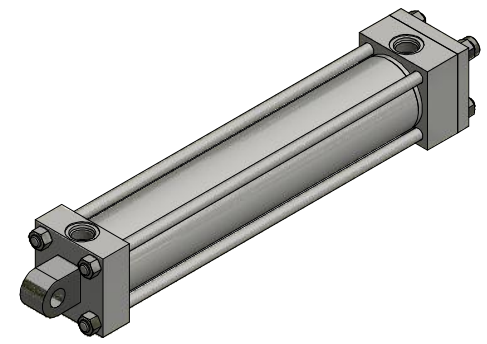
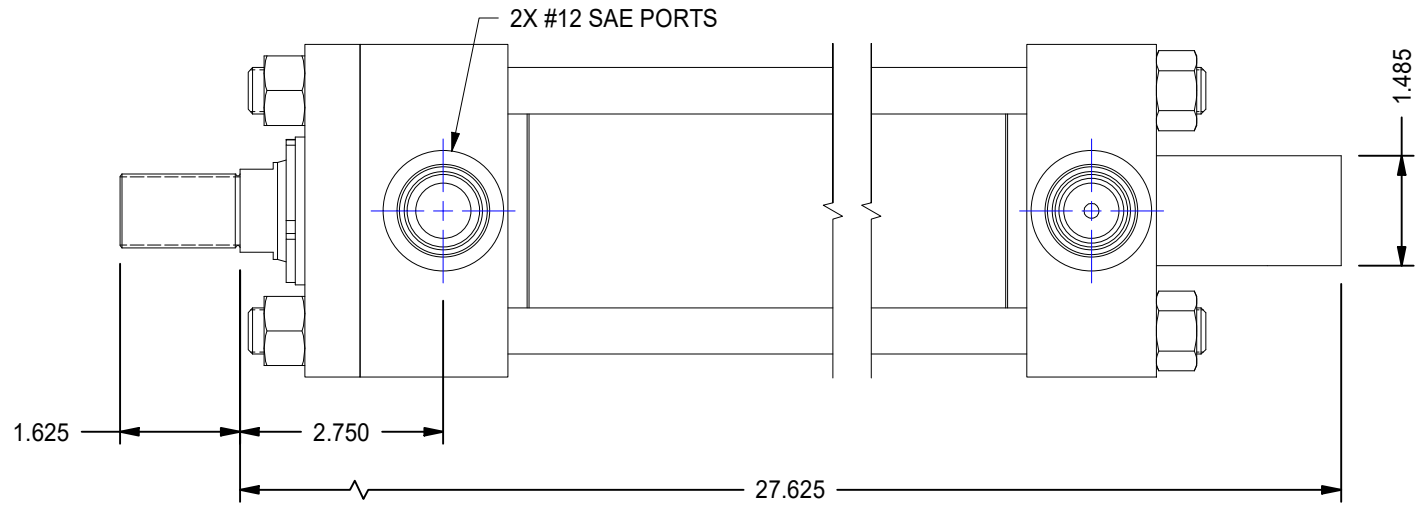


1

2

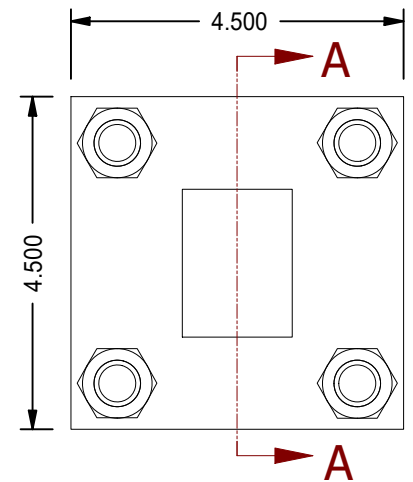
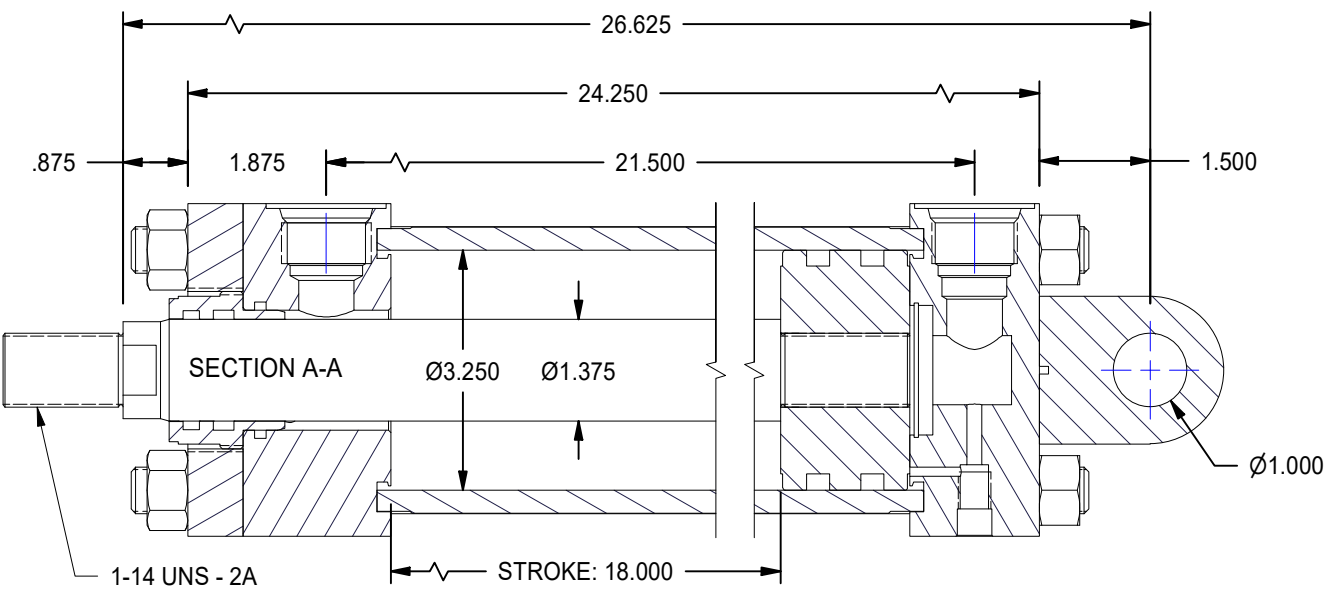
A

A



B

B




B

B

1

2

DATE	INTL	DESCRIPTION	REV

MODEL NUMBER:		PROJECT/CUSTOMER INFO:		DSGND:	DATE: 2011-01-21
 TITAN WORLDWIDE INC. <small>31 rue St-Jules Clear Fall or liquid in case of power. One that stands out for greatness of achievement!</small> PHONE: 807-474-5337 FAX: 807-623-5692 EMAIL: info@titanworldwide.com WEB: www.titanworldwide.com 701 MONTREAL STREET THUNDER BAY, ON P7E 3P-2 CANADA TEL: 807-474-5337 FAX: 807-623-5692 www.titanworldwide.com		CAPACITY:	3000 psi		
		WEIGHT:	64.341 lbmass		
SHEET SIZE:	A	SHEET: 1 OF 1	FILENAME:	TRH3.25MP3LT14X18.00.idw	
TITLE:		TRH3.25MP3LT14X18.00			
DRAWING No:					REVISION: