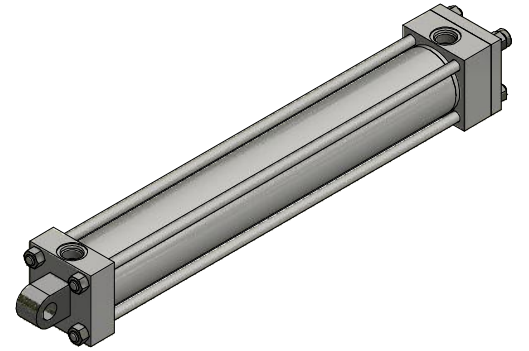
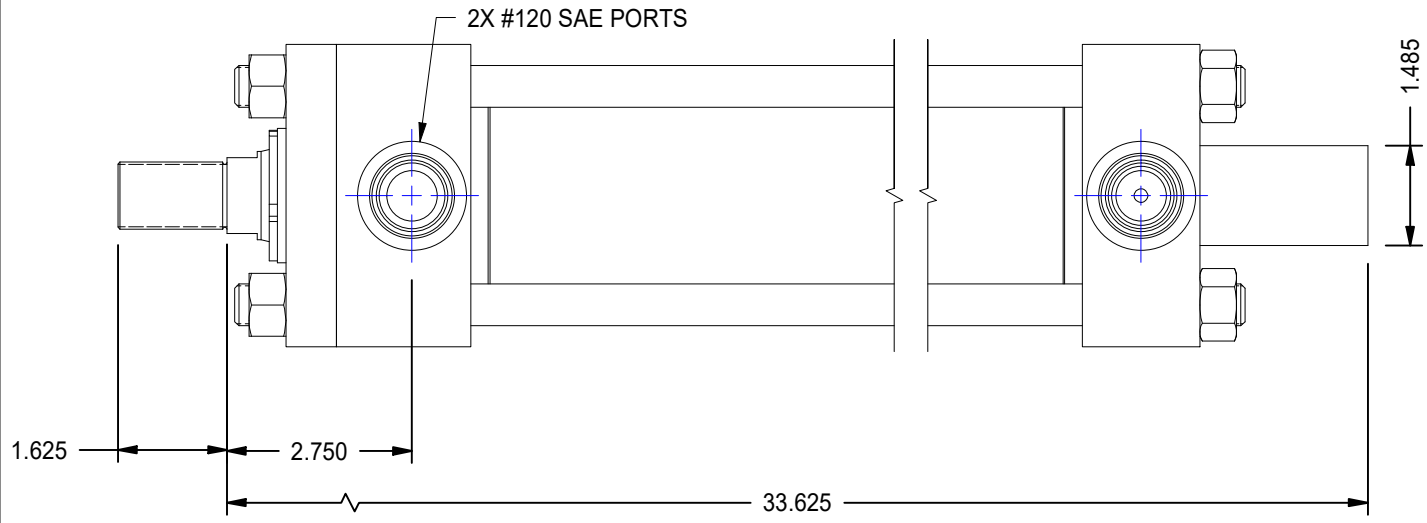


1

2

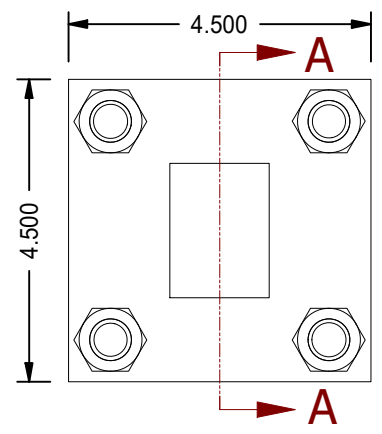
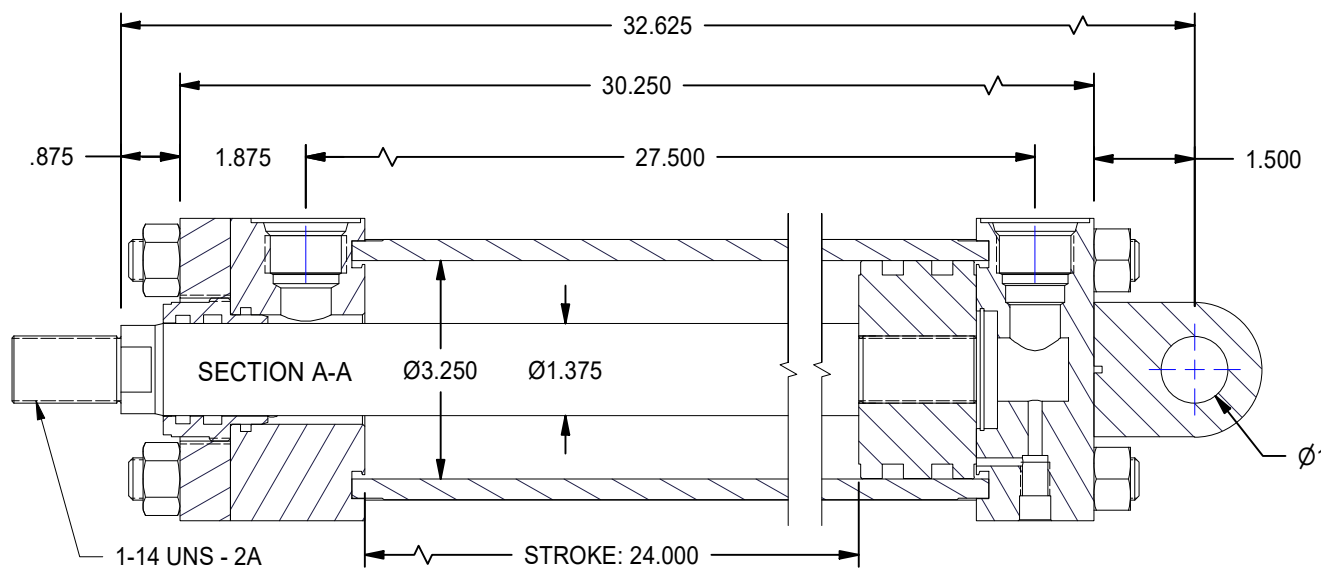
A


A



B

B



MODEL NUMBER:		PROJECT/CUSTOMER INFO:		DSGND:	DATE: 2011-01-21
 TITAN WORLDWIDE INC. <small>31 rue 1875 St. Clear that is applied to date of power. One that stands out for greatness of achievement!</small> PHONE: 807-474-5337 FAX: 807-623-5692 EMAIL: info@titanworldwide.com WEB: www.titanworldwide.com		CAPACITY:	3000 psi	SHEET SIZE: A SHEET: 1 OF 1 FILENAME: TRH3.25MP3LT14X24.00.idw	
		WEIGHT:	74.910 lbmass	TITLE: TRH3.25MP3LT14X24.00	
DRAWING No:				REVISION:	

1

2

DATE	INTL	DESCRIPTION	REV