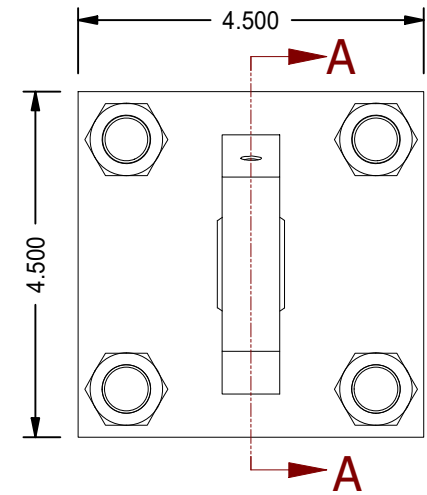
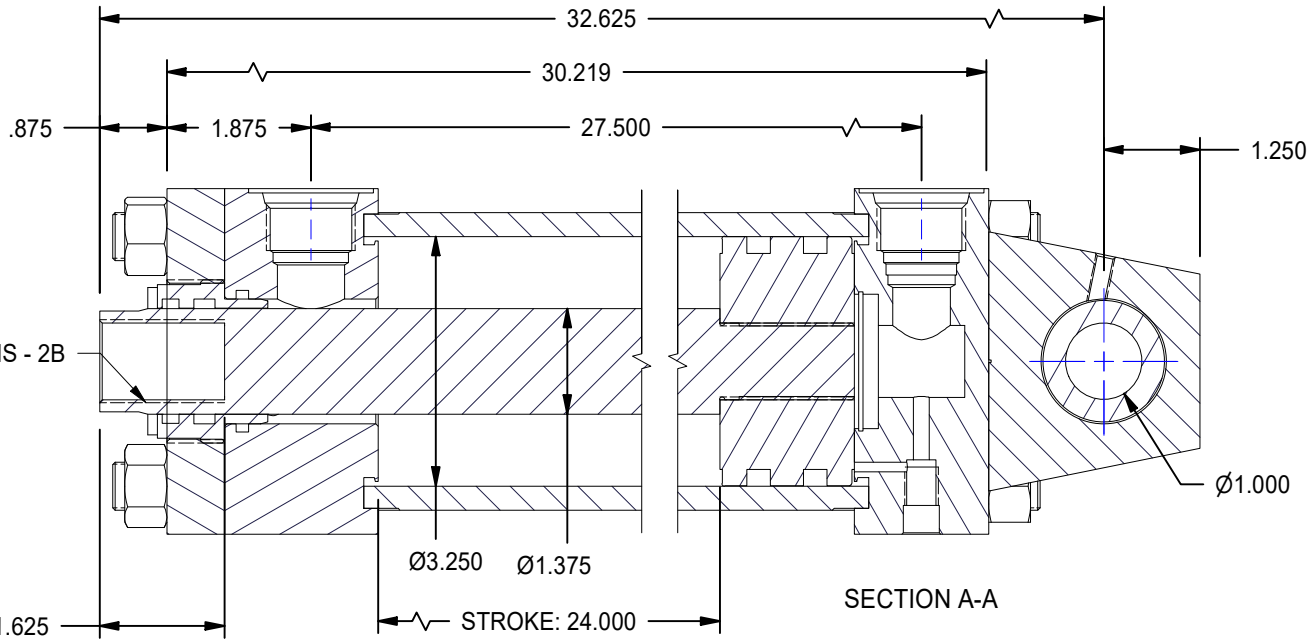
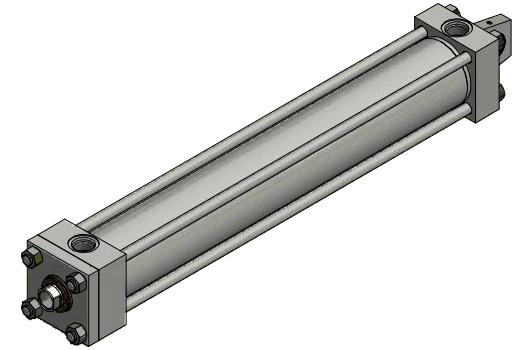
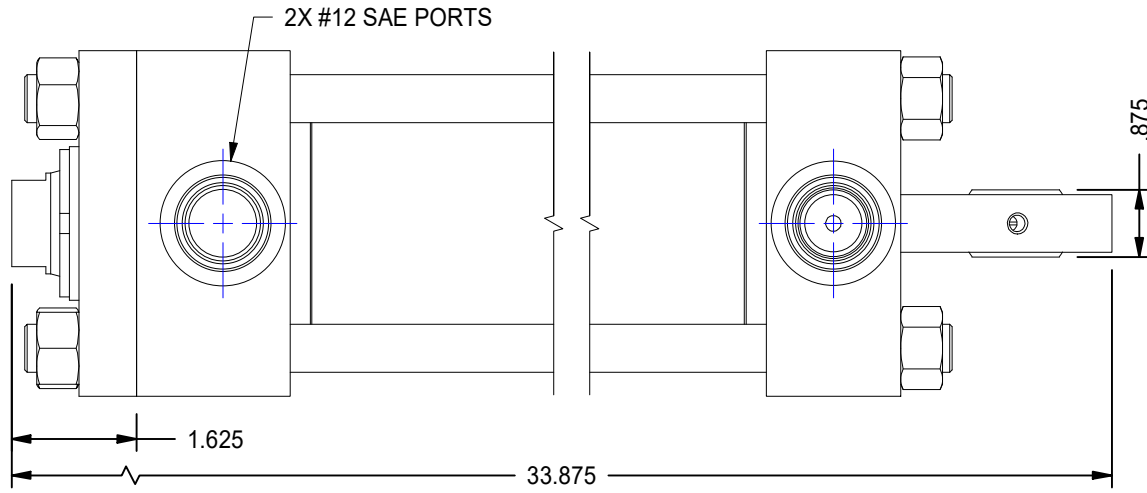


1

2



A

A

B

B

1

2

DATE	INTL	DESCRIPTION	REV

MODEL NUMBER:



PROJECT/CUSTOMER INFO:		DSGND:	DATE: 2011-01-21
		CAPACITY:	3000 psi
		WEIGHT:	73.836 lbmass
SHEET SIZE: A	SHEET: 1 OF 1	FILENAME:	TRH3.25MP5LT14X24.00.idw
TITLE: TRH3.25MP5LT14X24.00			
DRAWING No:			REVISION:

701 MONTREAL STREET  
 THUNDER BAY, ON  
 P7E 3P-2  
 CANADA  
 TEL: 807-474-5337  
 FAX: 807-623-5692  
 www.titanworldwide.com