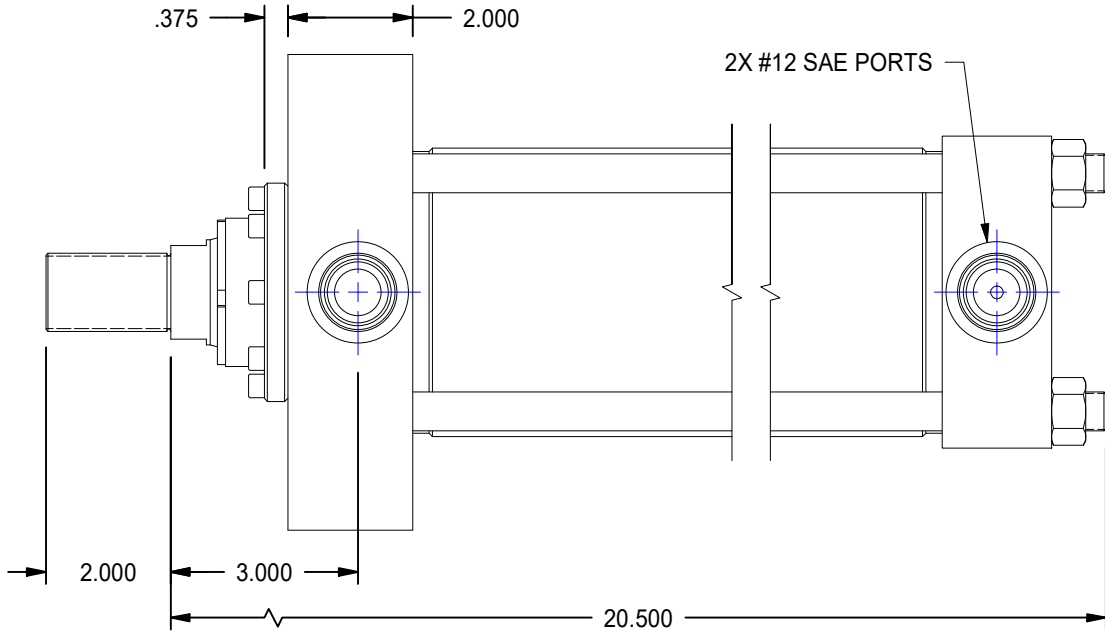
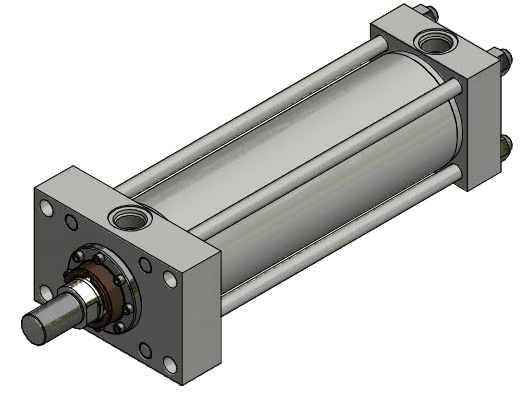


1

2

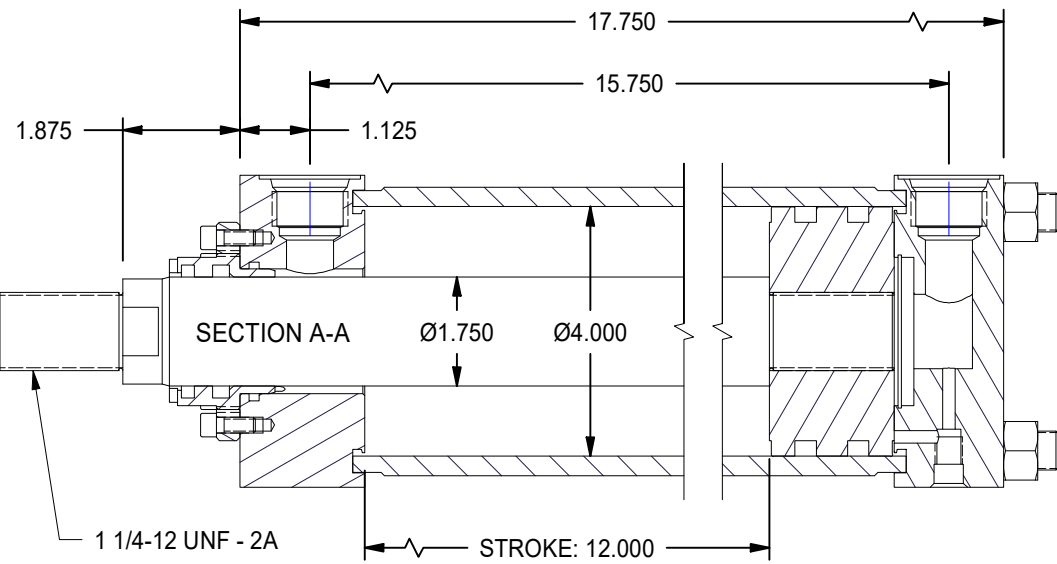


2X #12 SAE PORTS



A

A



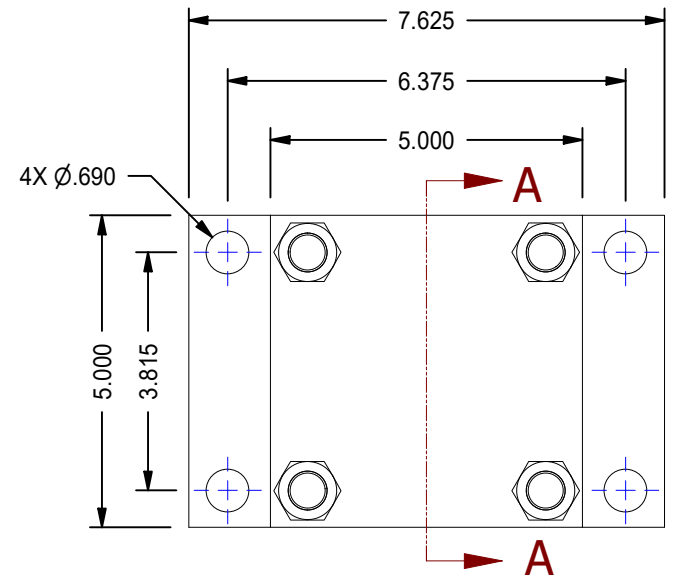
SECTION A-A

$\varnothing 1.750$

$\varnothing 4.000$

STROKE: 12.000

1 1/4-12 UNF - 2A




4X $\varnothing 0.690$

A

A

B

B

MODEL NUMBER:		PROJECT/CUSTOMER INFO:		DSGND:	DATE: 2011-01-21
 TITAN WORLDWIDE INC. <small>31 ton 5000 lb.</small> <small>Clear fluid or glycol in case of power. One that stands out for greatness of achievement!</small> <small>PHONE: 807-474-5337 FAX: 807-623-5692 EMAIL: info@titanworldwide.com WEB: www.titanworldwide.com</small>		CAPACITY:	3000 psi		
		WEIGHT:	69.706 lbmass		
SHEET SIZE: A	SHEET: 1 OF 1	FILENAME:	TRH4.00ME5LT14X12.00.idw		
TITLE:		TRH4.00ME5LT14X12.00			
DRAWING No:					REVISION:

1

2

DATE	INTL	DESCRIPTION	REV

1