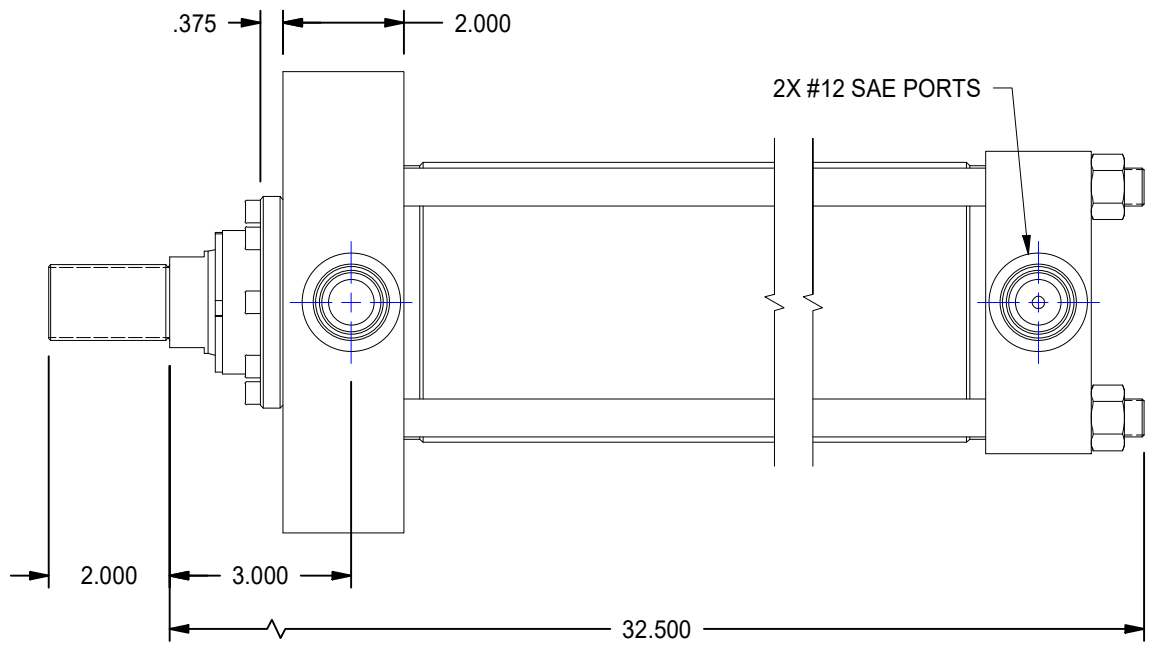


1

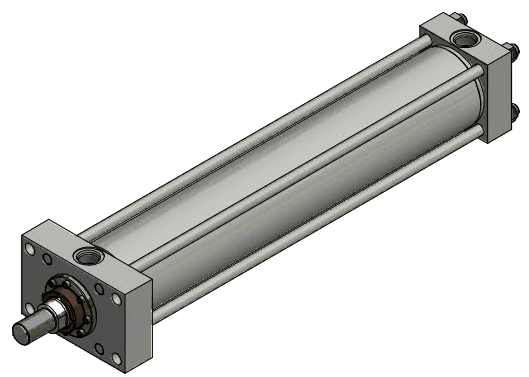
2

A

A

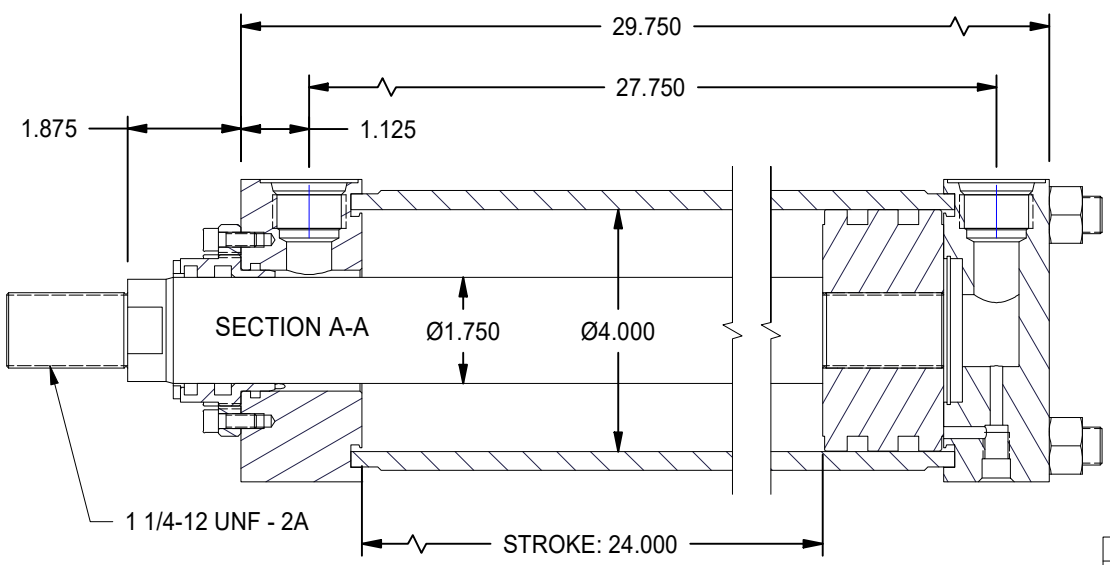


2X #12 SAE PORTS



B

B



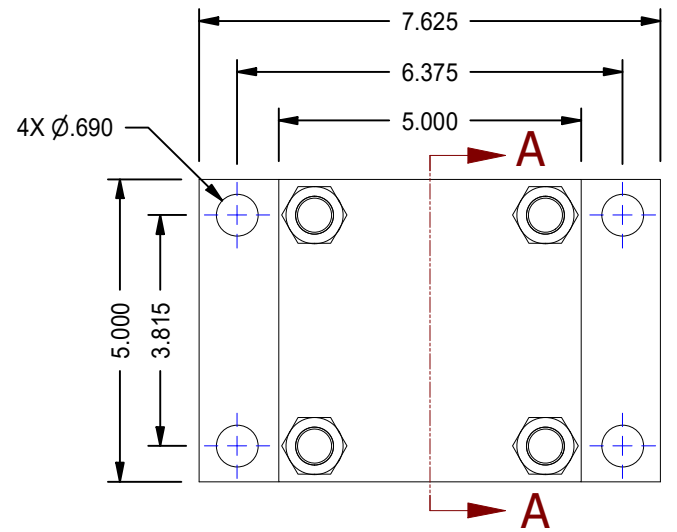
SECTION A-A

$\varnothing 1.750$

$\varnothing 4.000$

1 1/4-12 UNF - 2A

STROKE: 24.000



4X  $\varnothing 0.690$


A

A

1

2

DATE	INTL	DESCRIPTION	REV

MODEL NUMBER:		PROJECT/CUSTOMER INFO:		DSGND:	DATE: 2011-01-21
 <b>TITAN WORLDWIDE INC.</b> <small>31 Year ISO 9001 Clear Fall or liquid-to-rod or power. One that stands out for greatness of achievement!</small> PHONE: 807-474-5337 FAX: 807-623-5692 EMAIL: info@titanworldwide.com WEB: www.titanworldwide.com		CAPACITY: 3000 psi		WEIGHT: 96.466 lbmass	
		SHEET: A SHEET: 1 OF 1 FILENAME: TRH4.00ME5LT14X24.00.idw		TITLE: TRH4.00ME5LT14X24.00	
DRAWING No:				REVISION:	