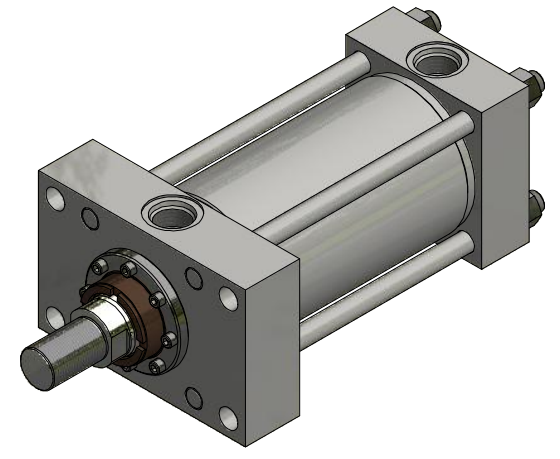


1

2

.375 2.000

2X #12 SAE PORTS



A

A

2.000

3.000

14.500

1.875

11.750

9.750

1.125

SECTION A-A

Ø1.750

Ø4.000

1 1/4-12 UNF - 2A

STROKE: 6.000

4X Ø.690

7.625
6.375
5.000

5.000

3.815

A

A

B

B

MODEL NUMBER:

PROJECT/CUSTOMER INFO:

DSGND: DATE: 2011-01-21

CAPACITY 3000 psi

WEIGHT: 56.326 lbmass



TITAN WORLDWIDE INC.
Titan 5000
Clear fluid or glycerin in case of power. One that stands out for
greater acceleration!

PHONE: 807-474-5337 FAX: 807-623-5692 EMAIL: info@titanworldwide.com WEB: www.titanworldwide.com

701 MONTREAL STREET
THUNDER BAY, ON
P7E 3P2
CANADA
TEL: 807-474-5337
FAX: 807-623-5692
www.titanworldwide.com

SHEET SIZE: A SHEET: 1 OF 1 FILENAME: TRH4.00ME5LT14X6.00.idw

TITLE: TRH4.00ME5LT14X6.00

DRAWING No:

REVISION:

1

2

DATE	INTL	DESCRIPTION	REV