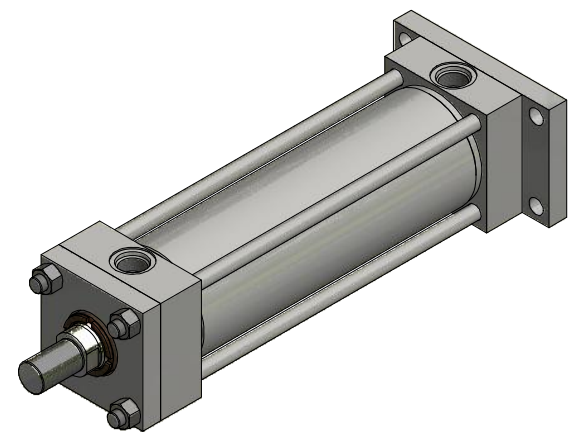
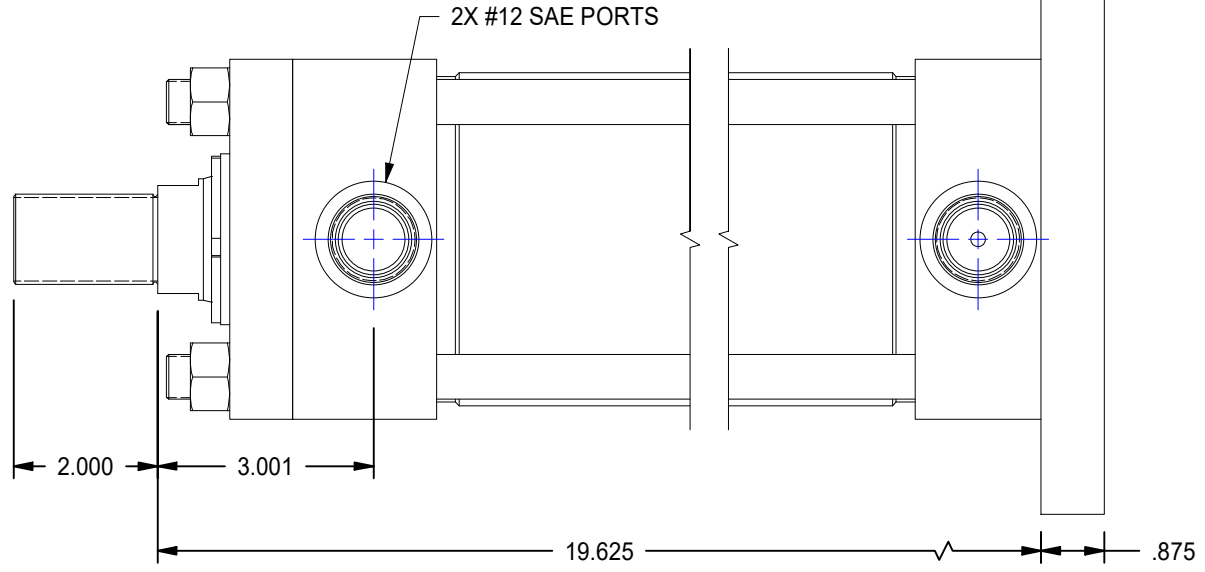


1

2

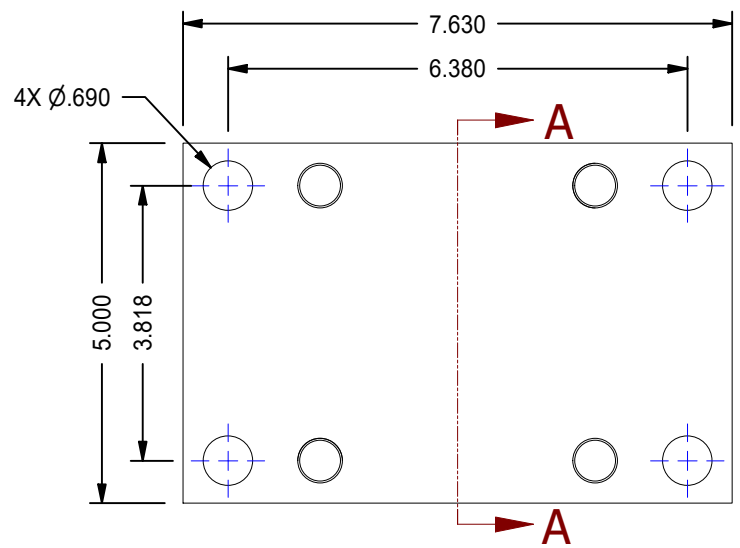
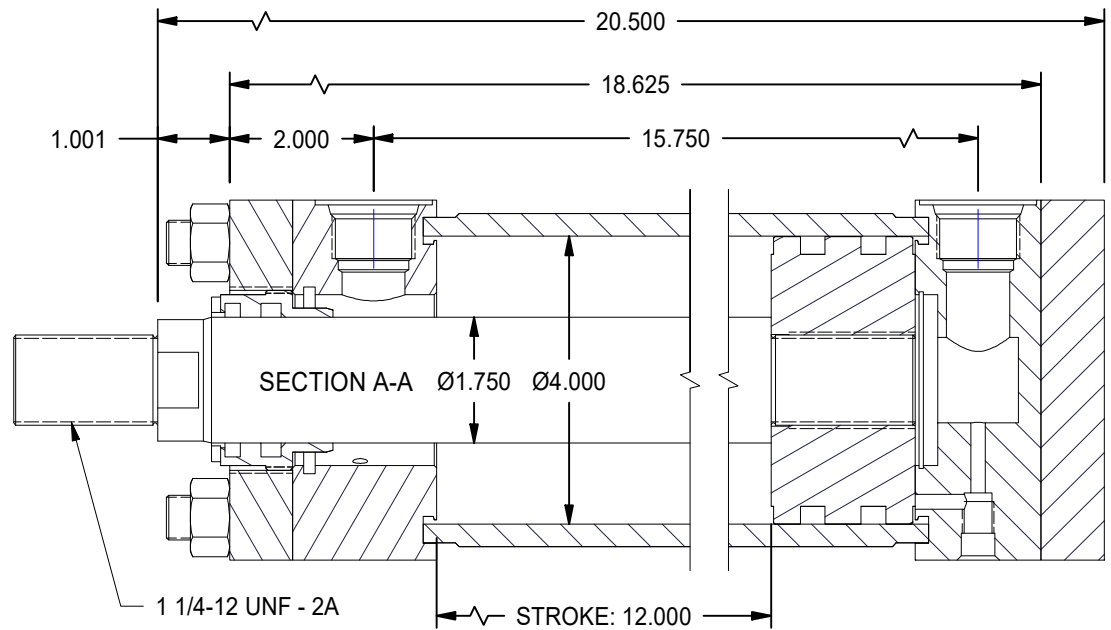
A

A




B

B



B

B

MODEL NUMBER:		PROJECT/CUSTOMER INFO:		DSGND:	DATE: 2013-03-07
 <b>TITAN WORLDWIDE INC.</b> <small>31 Year ISO 9001 Clear that all products in stock or power. One that stands out for greatness of achievement!</small> PHONE: 807-474-5337 FAX: 807-623-5692 EMAIL: info@titanworldwide.com WEB: www.titanworldwide.com		CAPACITY: 3000 PSI		WEIGHT: 75.670 lbmass	
		SHEET: A SHEET: 1 OF 1 FILENAME: TRH4.00MF2LT14X12.00.idw		TITLE: TRH4.00MF2LT14X12.00	
701 MONTREAL STREET THUNDER BAY, ON P7E 3P-2 CANADA TEL: 807-474-5337 FAX: 807-623-5692 www.titanworldwide.com				DRAWING No:	
					REVISION:

1

2

DATE	INTL	DESCRIPTION	REV

1