

1

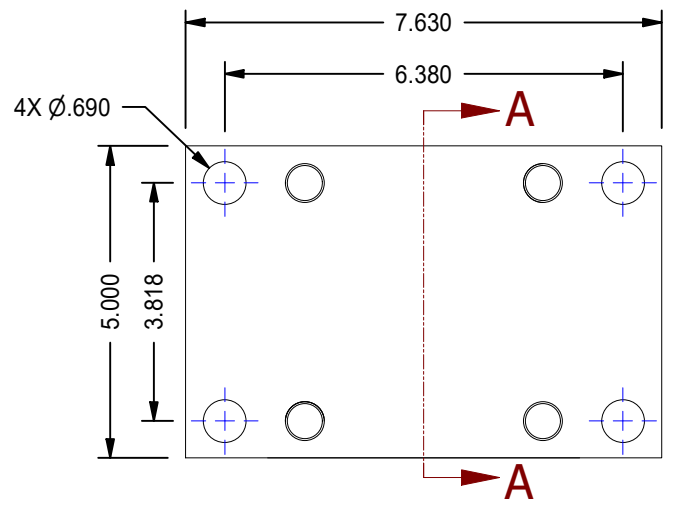
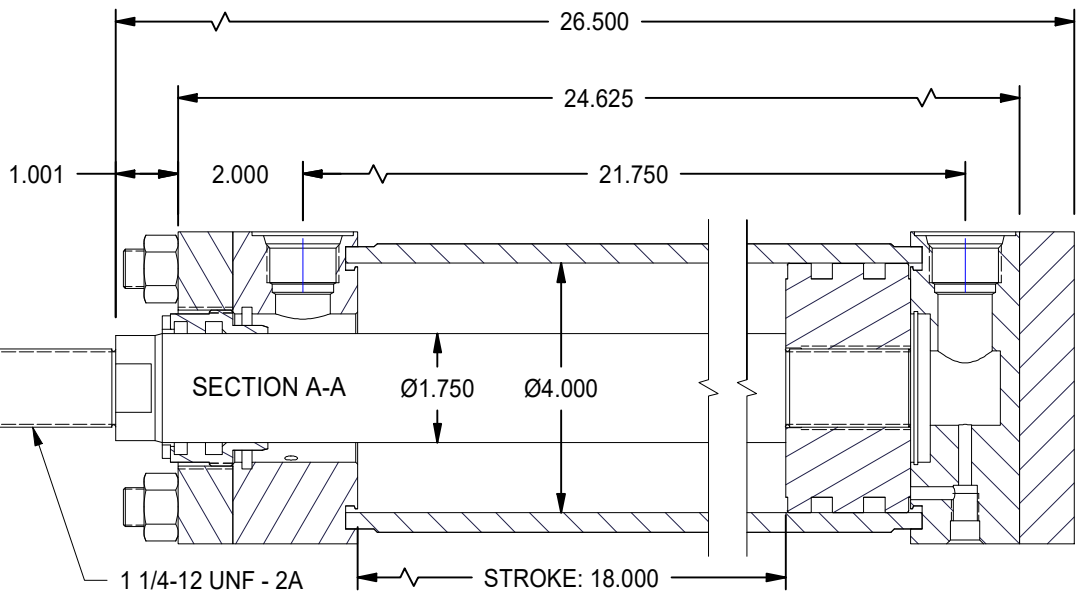
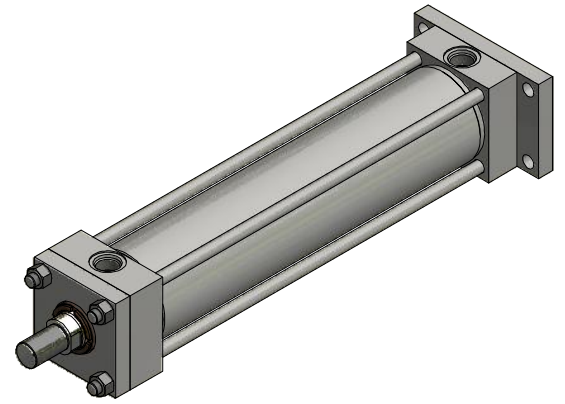
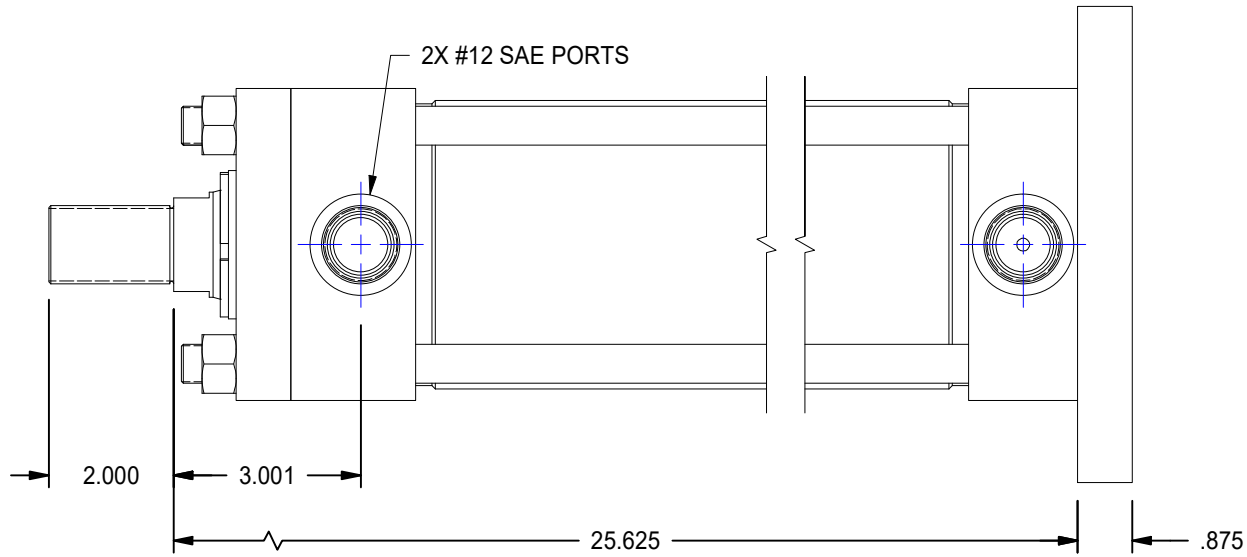
2

A

A

B


B



1

2



MODEL NUMBER:		PROJECT/CUSTOMER INFO:		DSGND:	DATE: 2013-03-07	
 TITAN WORLDWIDE INC. <small>31 Year ISO 9001 Clear title of goods in case of power. One that stands out for greatness of achievement!</small>		CAPACITY: 3000 PSI		WEIGHT: 89.050 lbmass		
		SHEET: A		SHEET: 1 OF 1		FILENAME: TRH4.00MF2LT14X18.00.idw
701 MONTREAL STREET THUNDER BAY, ON P7E 3P2 CANADA TEL: 807-474-5337 FAX: 807-623-5692 www.titanworldwide.com		TITLE: TRH4.00MF2LT14X18.00				REVISION:
DRAWING No:						

DATE	INTL	DESCRIPTION	REV