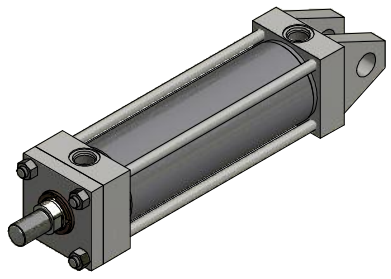
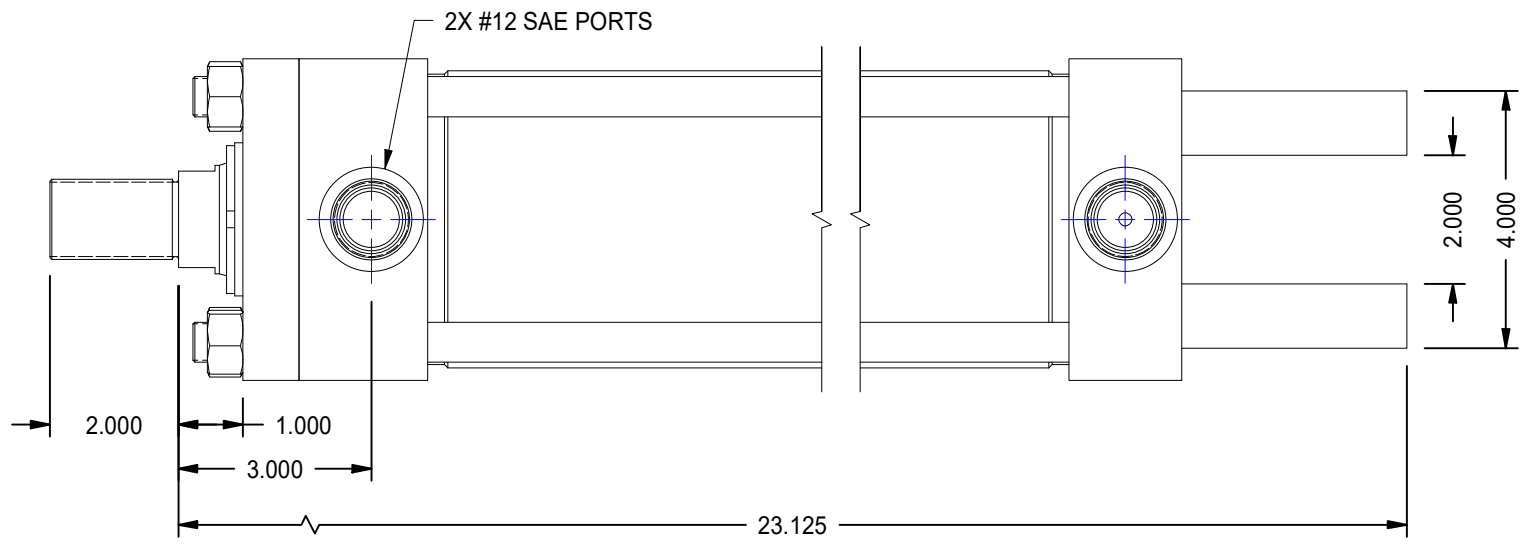


1

2

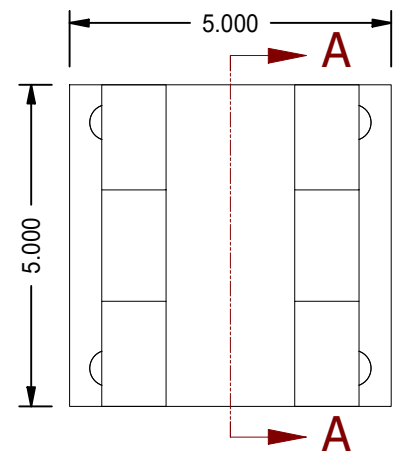
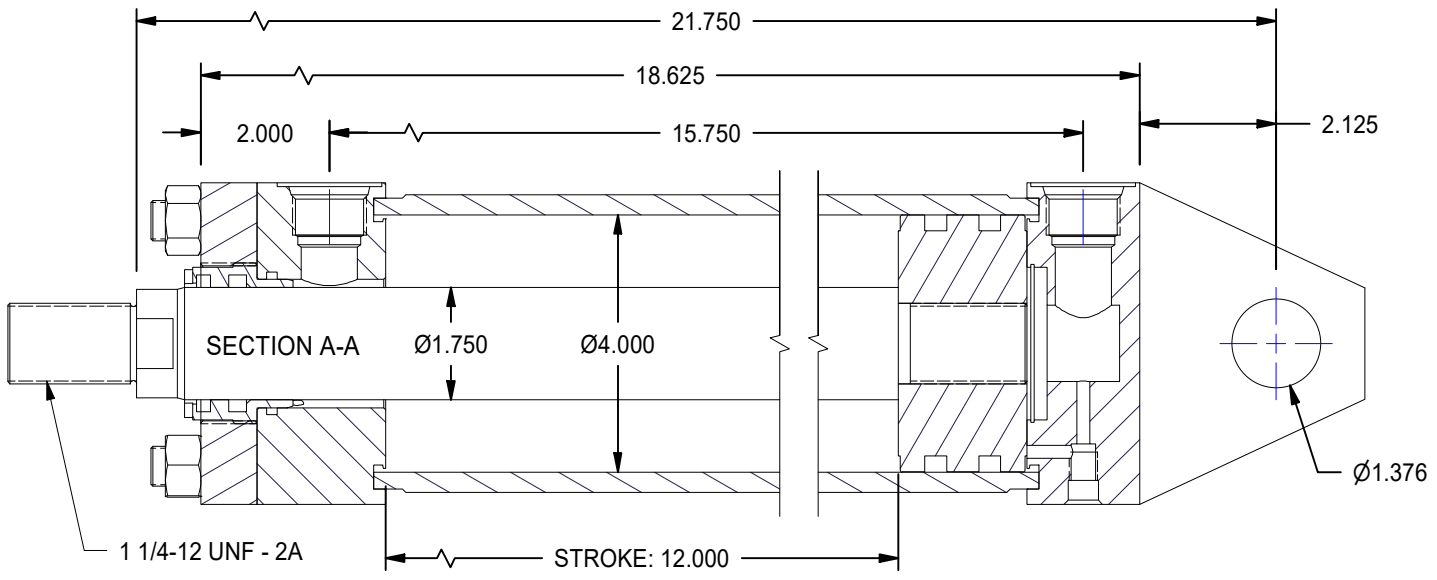
A


A



B

B



MODEL NUMBER:		PROJECT/CUSTOMER INFO:		DSGND:	DATE: 2013-12-02
 TITAN WORLDWIDE INC. <small>31 Year ISO 9001</small> <small>Clear that all products are made in Canada. One that stands out for greatness of achievement!</small> <small>PHONE: 807-474-5337 FAX: 807-623-5692 EMAIL: info@titanworldwide.com WEB: www.titanworldwide.com</small>		CAPACITY: 3000 PSI		WEIGHT: 73.938 lbmass	
		SHEET SIZE: A SHEET: 1 OF 1 FILENAME: TRH4.00MP1LT14X12.00.idw		TITLE: TRH4.00MP1LT14X12.00	
DRAWING No:					REVISION: A

1

2

DATE	INTL	DESCRIPTION	REV

1