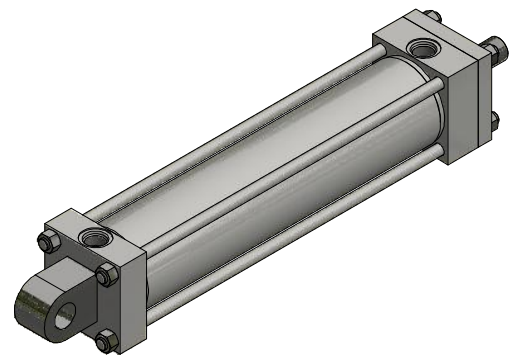
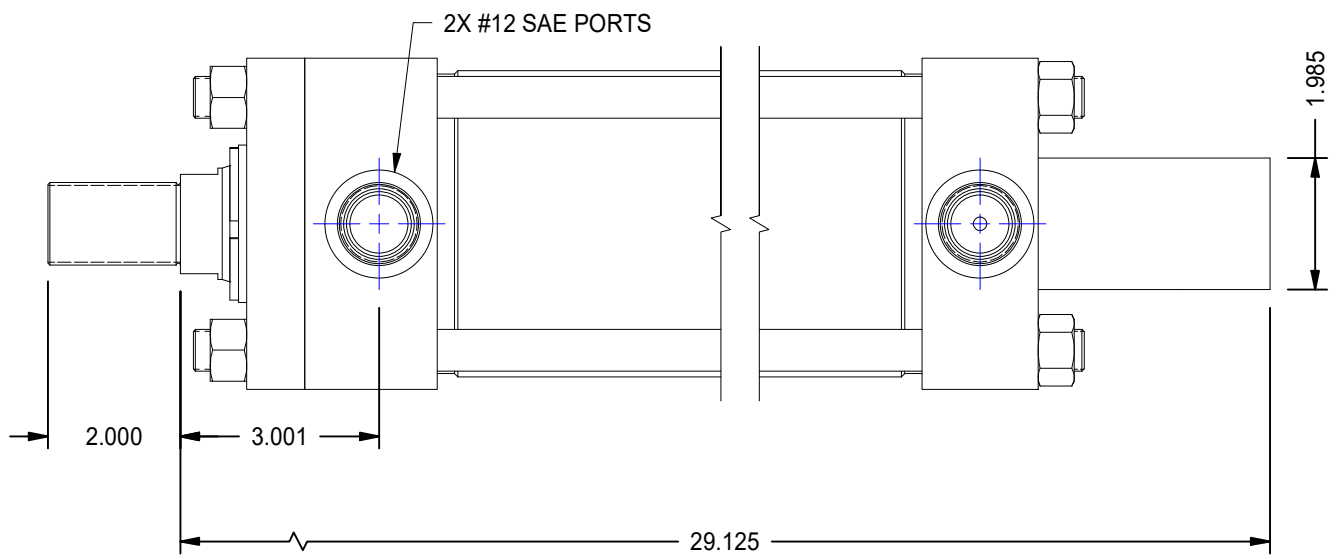


1

2

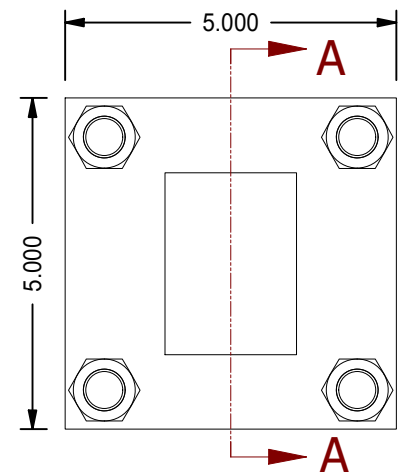
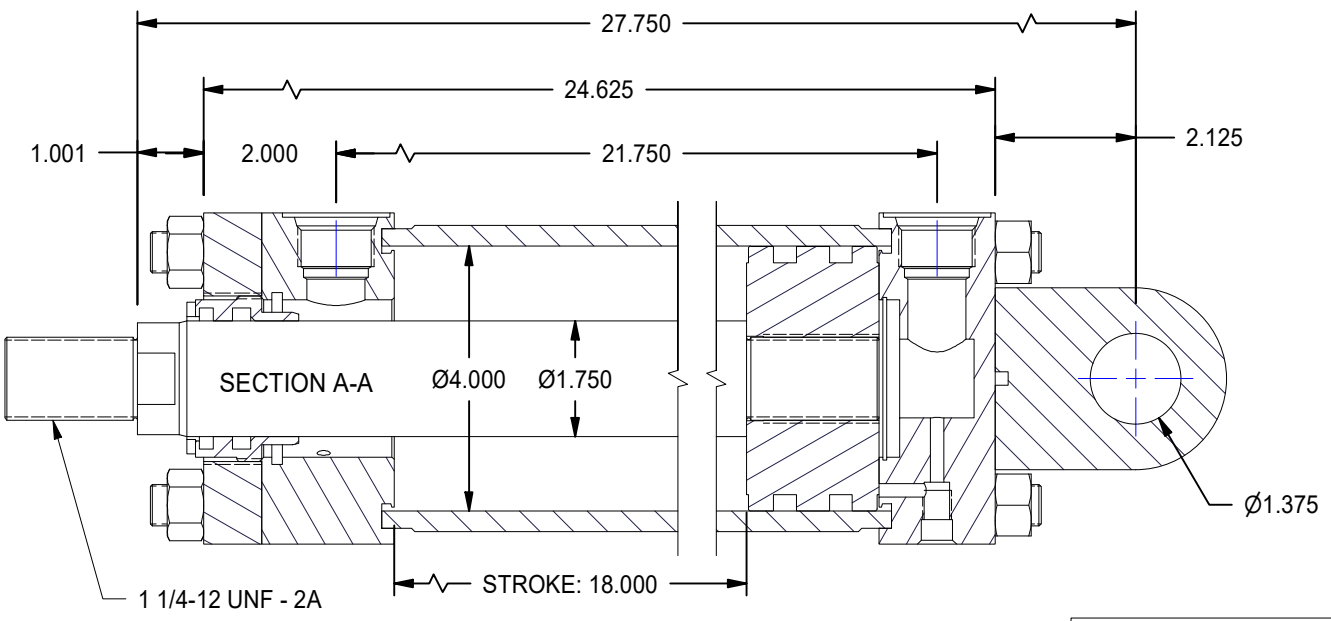
A

A




B

B



B

B

MODEL NUMBER:		PROJECT/CUSTOMER INFO:		DSGND:	DATE: 2013-03-07
 <b>TITAN WORLDWIDE INC.</b> <small>71 Sun 8700 S. Clear Lake, CA 94505, U.S.A. Clear Lake is registered in state of power. One that stands out for greatness of achievement!</small> PHONE: 807-474-5337 FAX: 807-623-5692 EMAIL: info@titanworldwide.com WEB: www.titanworldwide.com		CAPACITY:	3000 PSI	SHEET: A SHEET: 1 OF 1 FILENAME: TRH4.00MP3LT14X18.00.idw	
		WEIGHT:	84.610 lbmass	TITLE: TRH4.00MP3LT14X18.00	
701 MONTREAL STREET THUNDER BAY, ON P7E 3P-2 CANADA TEL: 807-474-5337 FAX: 807-623-5692 www.titanworldwide.com				DRAWING No:	REVISION:

1

2

DATE	INTL	DESCRIPTION	REV

1