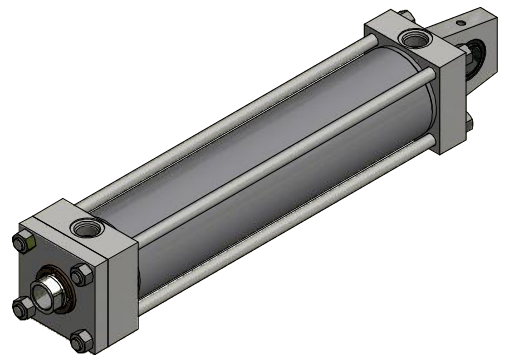
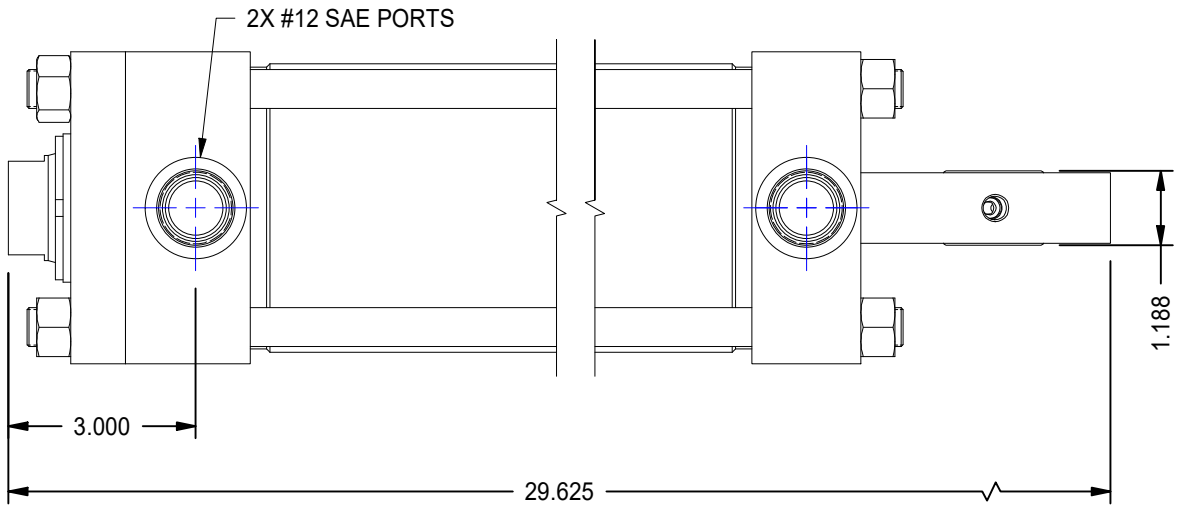


1

2

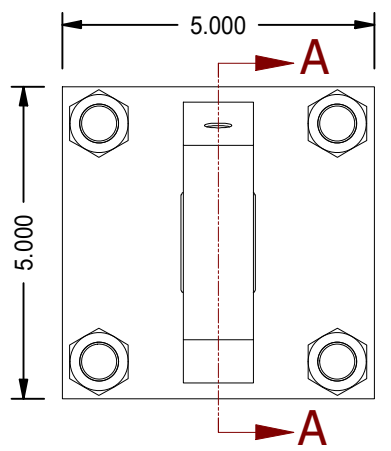
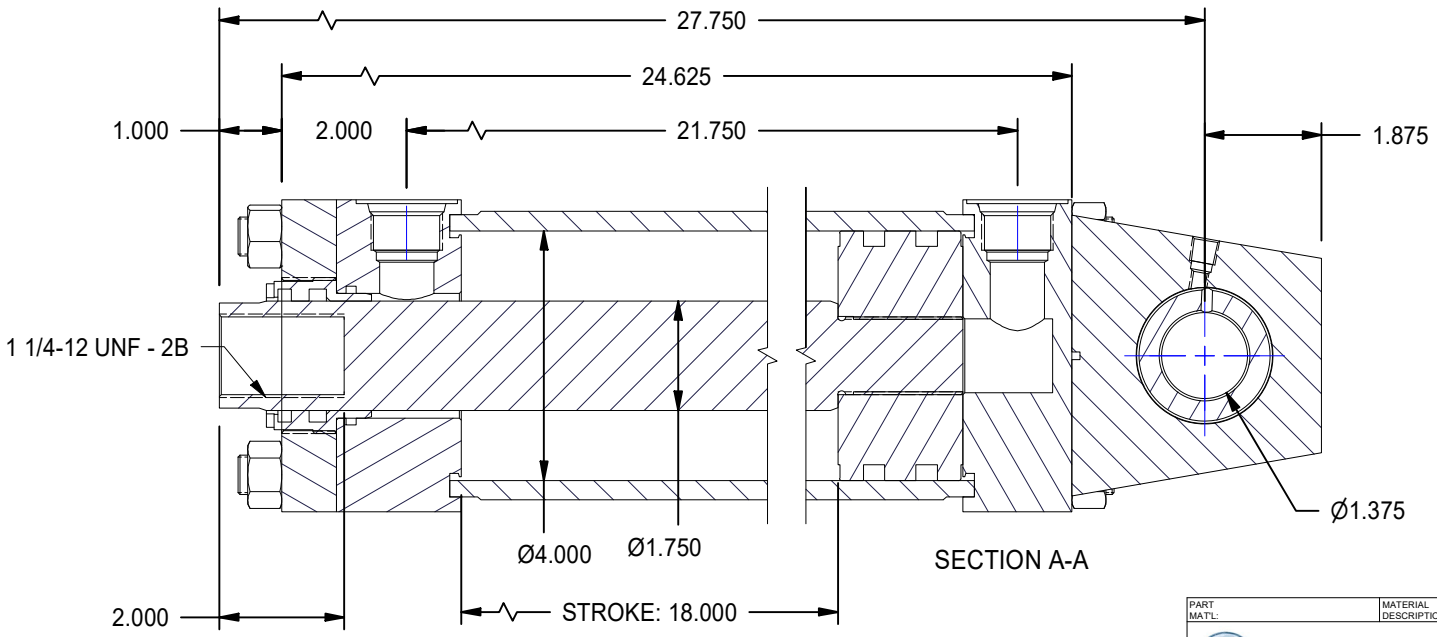
A


A



B

B



PART MATL:		MATERIAL DESCRIPTION:		CUT LENGTH / BLANK SIZE: * ALLOWANCE	
 TITAN WORLDWIDE INC. <small>701 Montreal Street Thunder Bay, ON P7E 3P2 Canada Tel: 807-474-5337 Fax: 807-623-5692 www.titanworldwide.com</small>		MACHINING TOLERANCES: X.X = ±0.03 X.XX = ±0.01 X.XXX = ±0.005; ØX.XXX = ±0.001 BREAK ALL SHARP EDGES: 0.005 - 0.01		DRAWN: _____ DATE: 2021-03-29 ENGINEER: _____ FILE NAME: TRH4.00MP5LT14X18.00.idw WEIGHT: 85.415 lbmass	
SHEET SIZE: A	SHEET: 1 OF 1		TITLE: TRH4.00MP5LT14X18.00		
C.N.C No:		DRAWING No:		REVISION: A	

1

2

DATE	INITL	DESCRIPTION	REV
------	-------	-------------	-----