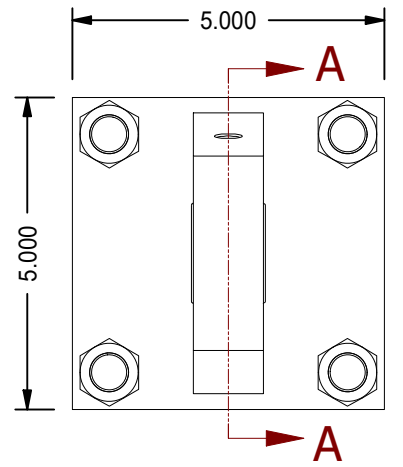
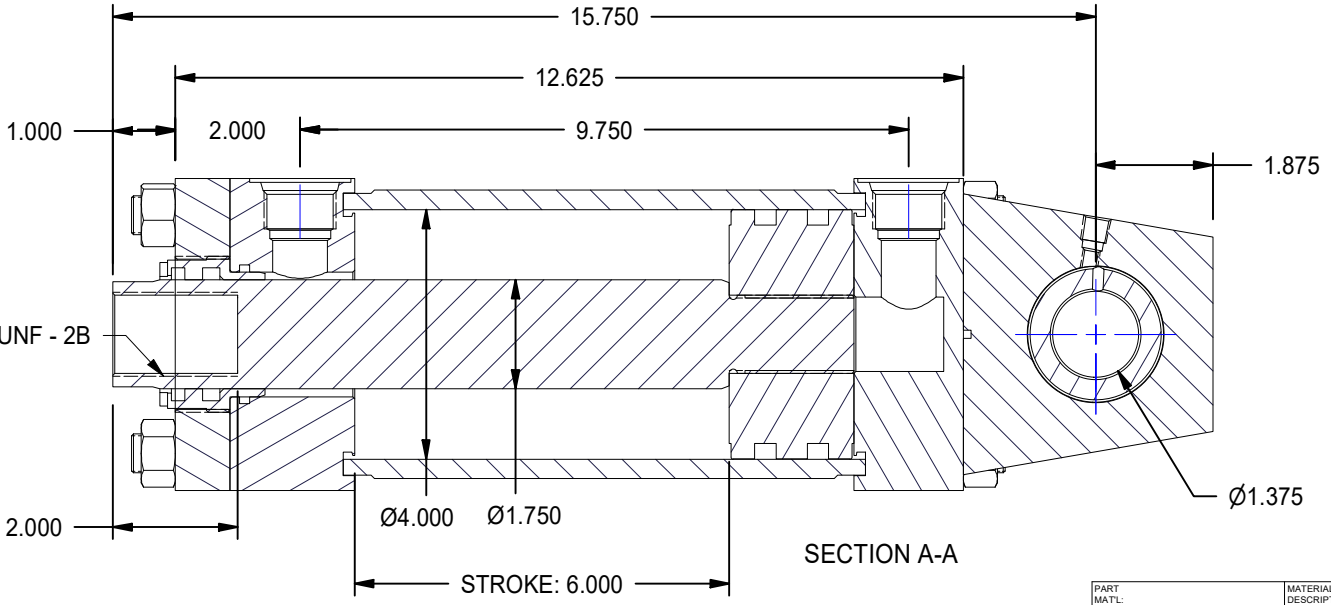
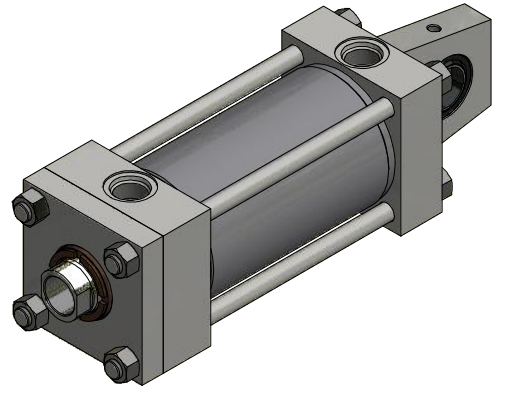
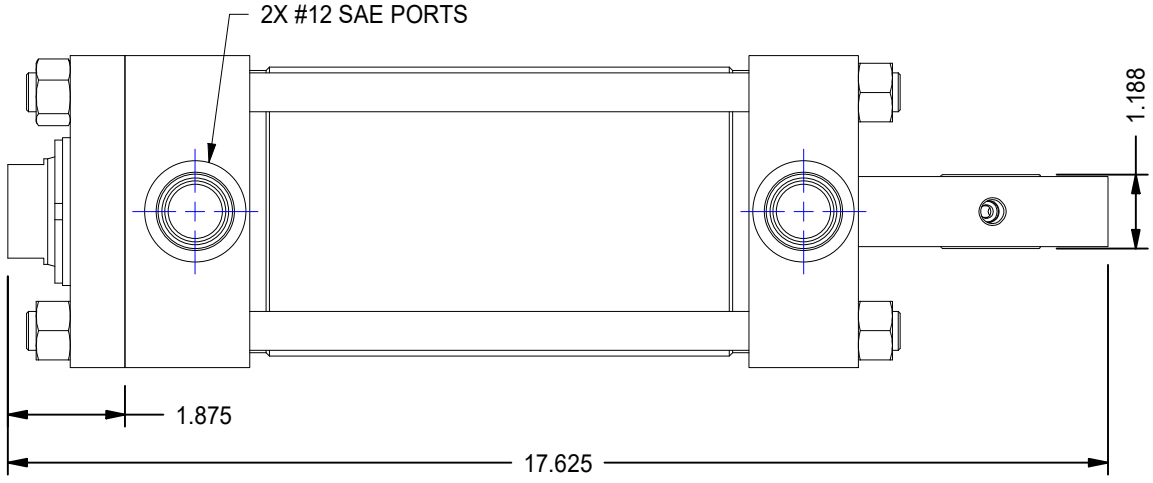


1

2




A

A

B

B

<b>PART MATL:</b>  <b>TITAN WORLDWIDE INC.</b> <small>701 MONTREAL STREET THUNDER BAY, ON P7E 3P2 CANADA TEL: 807-474-5337 FAX: 807-623-5692 www.titanworldwide.com</small>	<b>MATERIAL DESCRIPTION:</b> <b>**UNLESS OTHERWISE NOTED**</b> <b>MACHINING TOLERANCES:</b> X.X = ±0.03 X.XX = ±0.01 X.XXX = ±0.005; ØX.XXX = ±0.001 <b>BREAK ALL SHARP EDGES: 0.005 - 0.01</b>	<b>CUT LENGTH / BLANK SIZE:</b> * ALLOWANCE DRAWN: DATE: 2021-03-29	
		ENGINEER: FILE NAME: TRH4.00MP5LT14X6.00 idw WEIGHT: 58.232 lbmass	
SHEET SIZE: A SHEET: 1 OF 1 TITLE: TRH4.00MP5LT14X6.00		C.N.C No: DRAWING No:	
		REVISION: A	

1

2

DATE	INITL	DESCRIPTION	REV
------	-------	-------------	-----