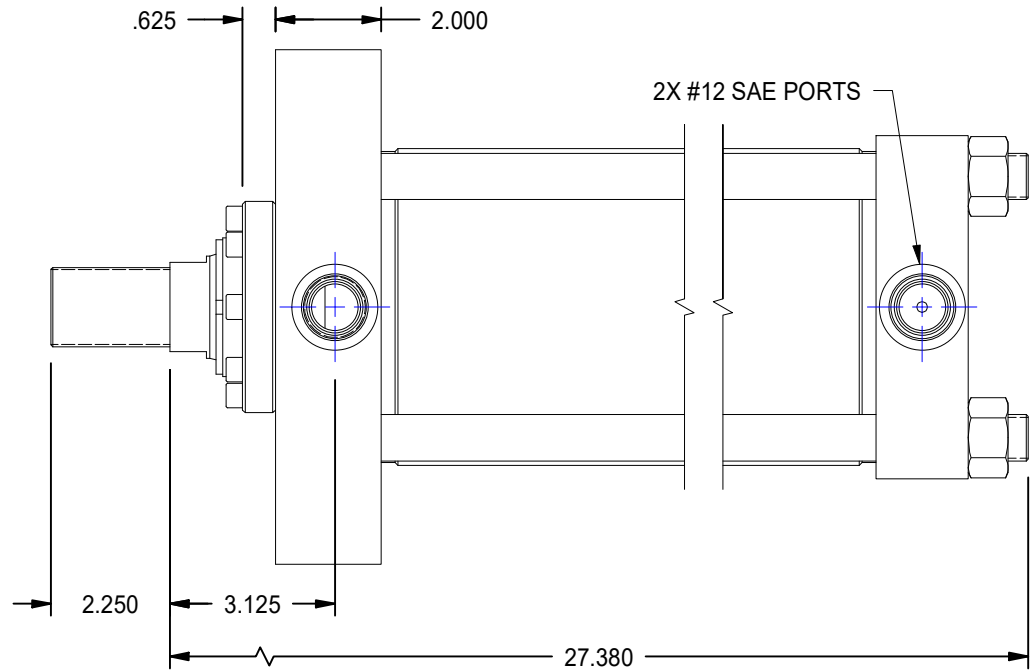


1

2

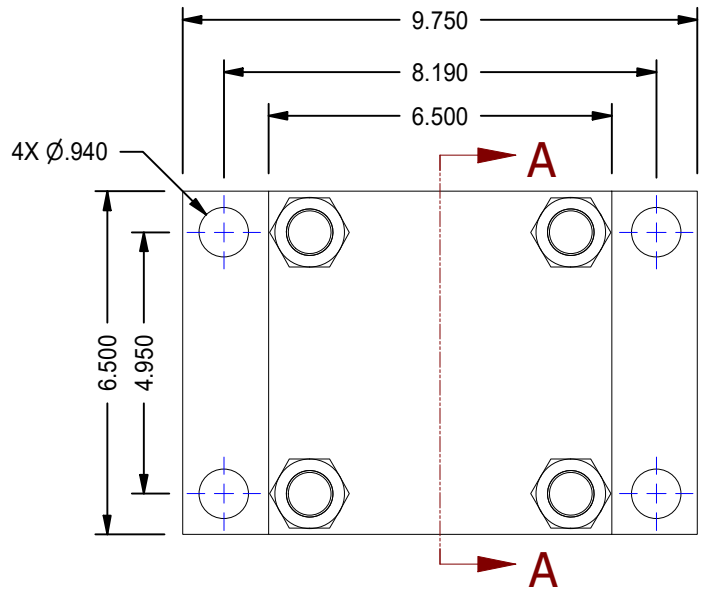
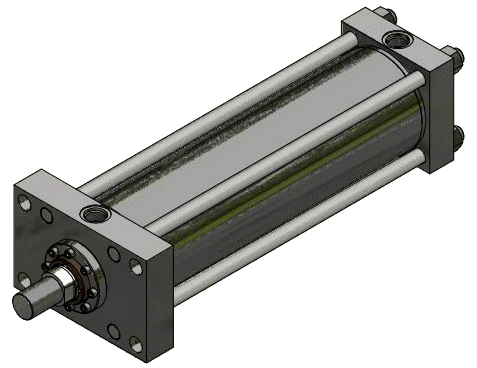
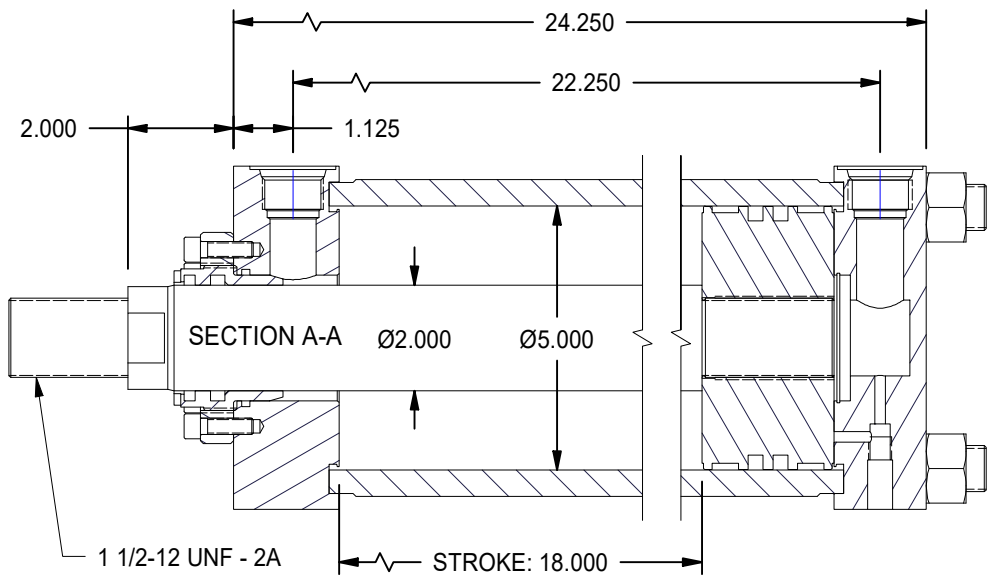
A


A



B

B



MODEL NUMBER:		PROJECT/CUSTOMER INFO:		DSGND:	DATE: 2011-01-21
 <b>TITAN WORLDWIDE INC.</b> <small>21 Year ISO 9001 Clear Fall or liquid in case of power. One that stands out for greatness of achievement!</small> PHONE: 807-474-5337 FAX: 807-623-5692 EMAIL: info@stanworldwide.com WEB: www.stanworldwide.com 701 MONTREAL STREET THUNDER BAY, ON P7E 3P2 CANADA TEL: 807-474-5337 FAX: 807-623-5692 www.stanworldwide.com		CAPACITY: 3000 psi		WEIGHT: 150.049 lbmass	
		SHEET: A SHEET: 1 OF 1 FILENAME: TRH5.00ME5LT14X18.00.idw		TITLE: TRH5.00ME5LT14X18.00	
DRAWING No:				REVISION:	

1

2

DATE	INTL	DESCRIPTION	REV