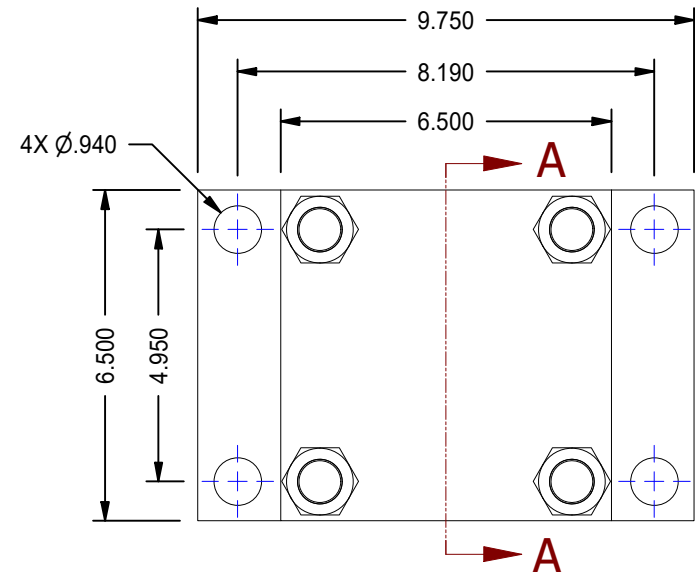
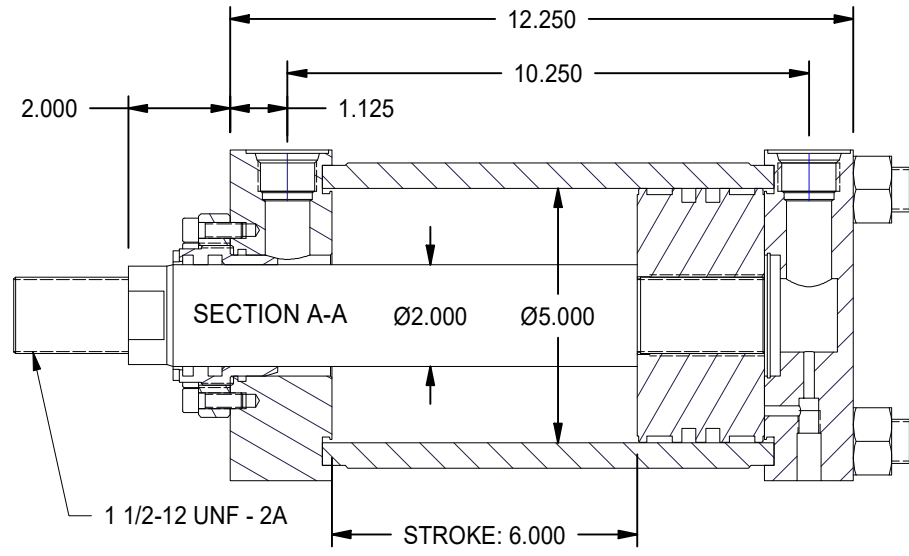
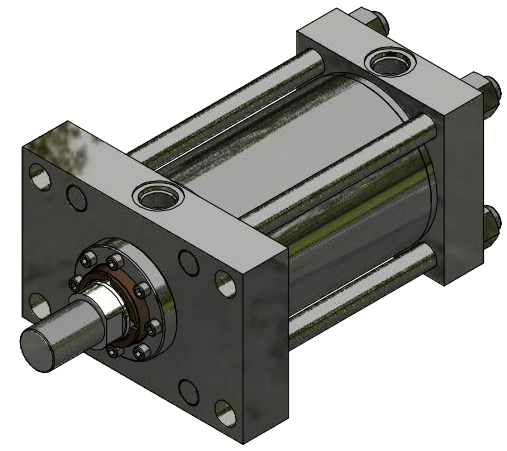
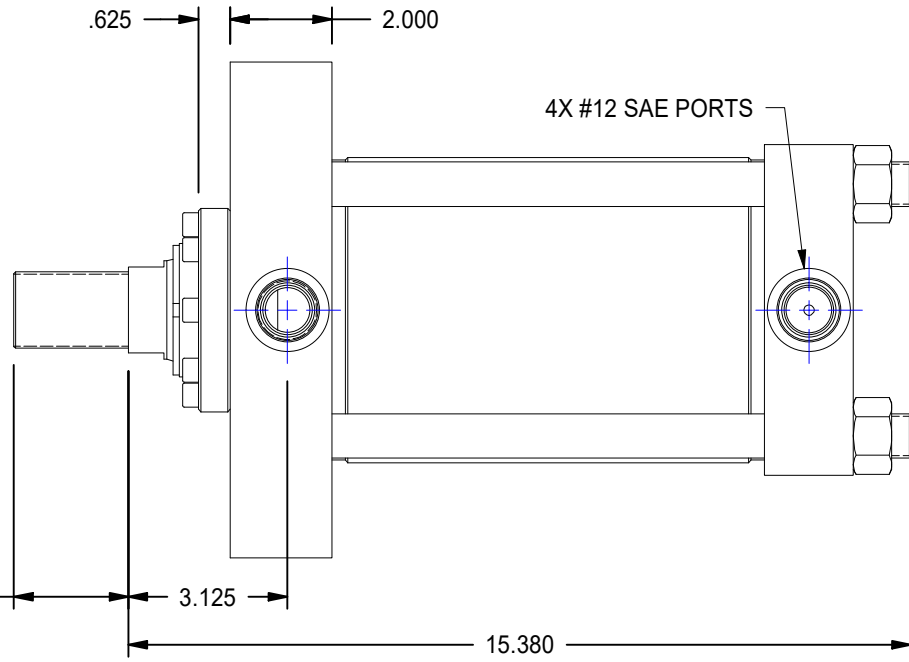



1

2



MODEL NUMBER:		PROJECT/CUSTOMER INFO:		DSGND:	DATE: 2011-01-21
 TITAN WORLDWIDE INC. <small>31 Year ISO 9001 Clear that all products are made in Canada. One that stands out for greatness of achievement!</small>		CAPACITY: 3000 psi		WEIGHT: 101.763 lbmass	
		SHEET: A SHEET: 1 OF 1 FILENAME: TRH5.00ME5LT14X6.00.idw		TITLE: TRH5.00ME5LT14X6.00	
701 MONTREAL STREET THUNDER BAY, ON P7E 3P2 CANADA TEL: 807-474-5337 FAX: 807-623-5692 www.titanworldwide.com		DRAWING No:		REVISION:	

1

2

DATE	INTL	DESCRIPTION	REV