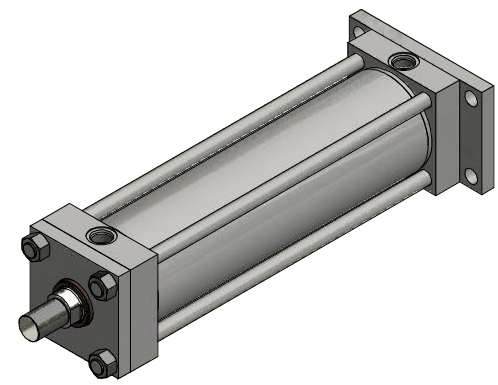
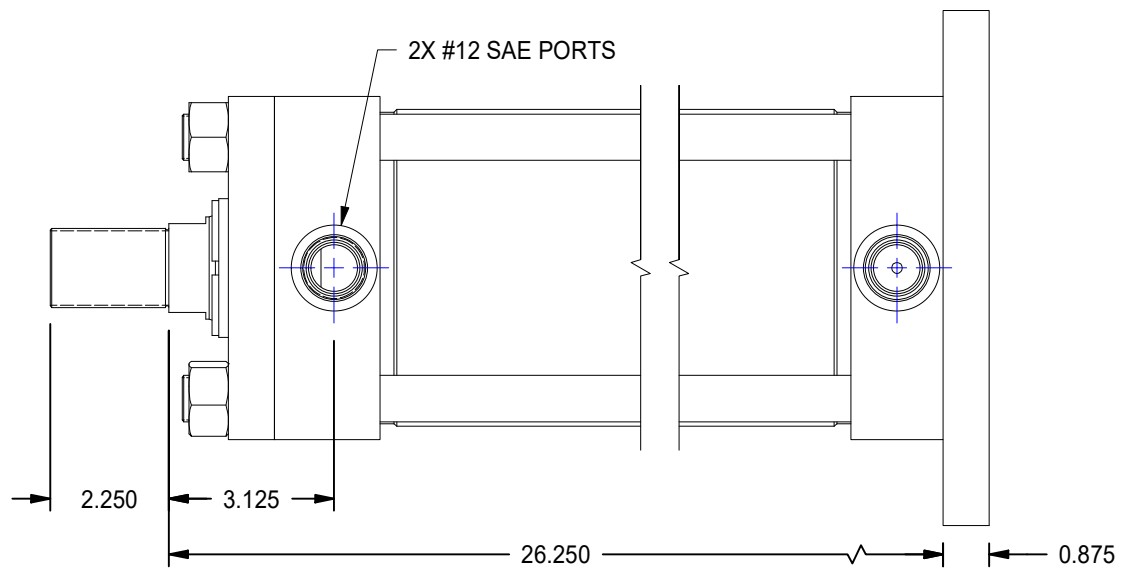


1

2

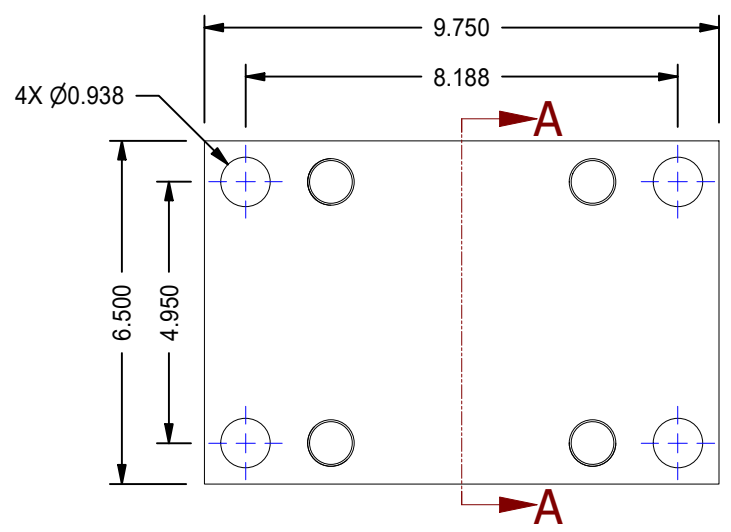
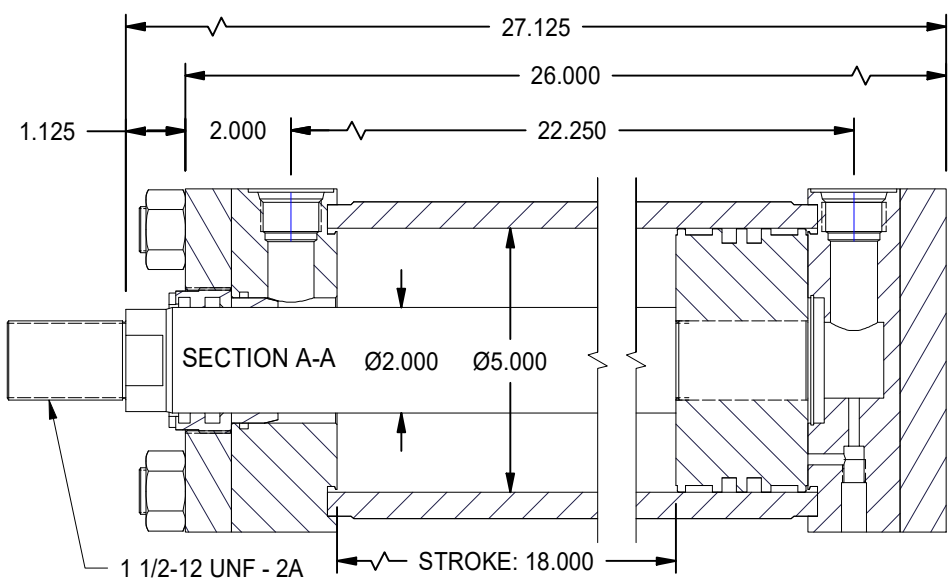
A

A



B

B



B

B

1

2

DATE	INTL	DESCRIPTION	REV

<p>TITAN WORLDWIDE INC. <small>31 Year ISO 9001 Clear that all products are made of power. One that stands out for greatness of achievement!</small></p> <p>PHONE: 807-474-5337 FAX: 807-623-5692 EMAIL: info@titanworldwide.com WEB: www.titanworldwide.com</p> <p>701 MONTREAL STREET THUNDER BAY, ON P7E 3P2 CANADA TEL: 807-474-5337 FAX: 807-623-5692 www.titanworldwide.com</p>		PROJECT/CUSTOMER INFO: DSGND: DATE: 2009-06-29 CAPACITY: 3000 PSI WEIGHT: 162.825 lbmass
SHEET SIZE: A	SHEET: 1 OF 1	FILENAME: TRH5.00MF2LT14X18.00.idw
TITLE: TRH5.00MF2LT14X18.00		
DRAWING No:		REVISION: