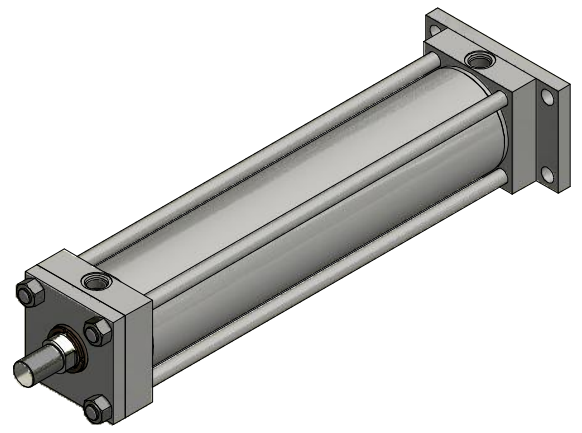
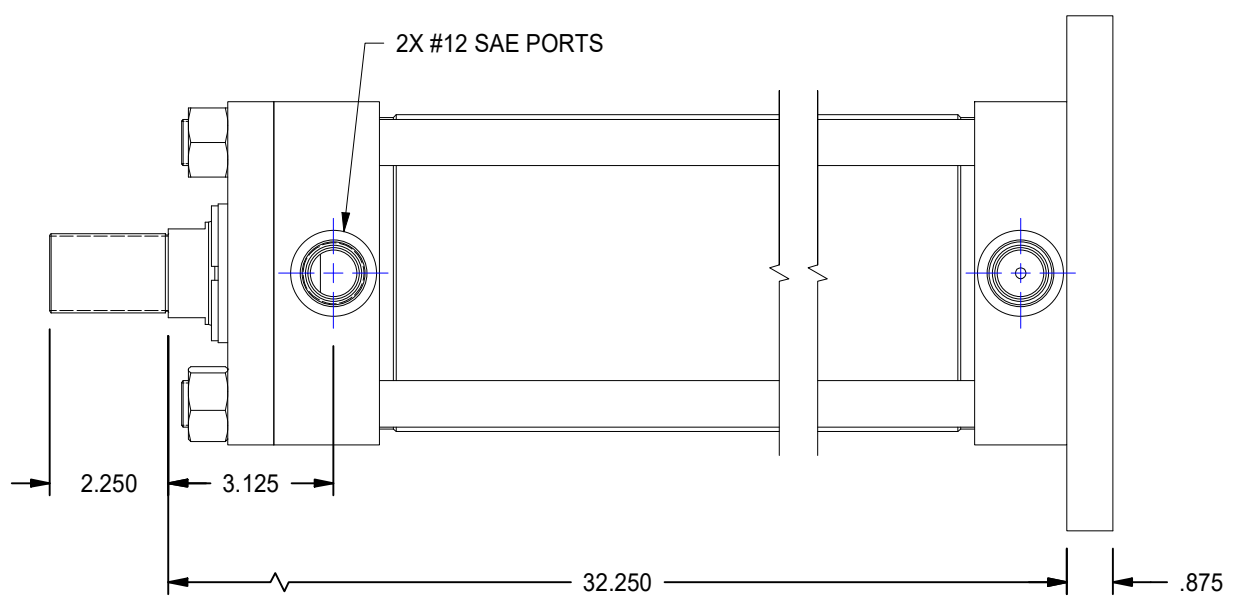


1

2

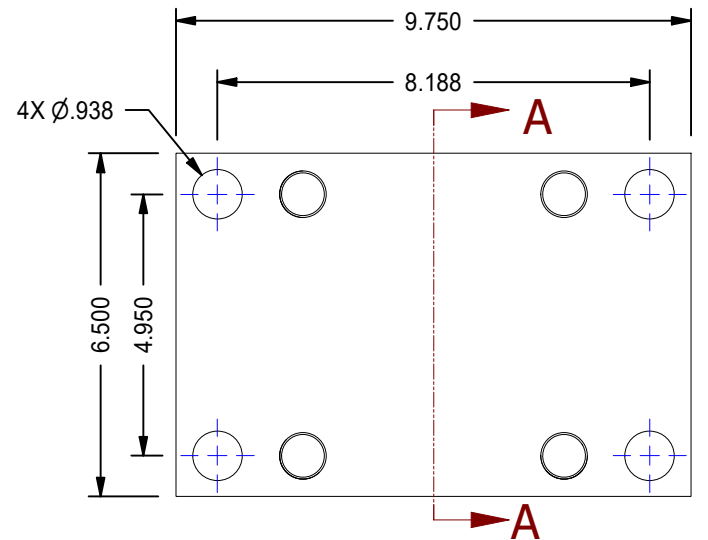
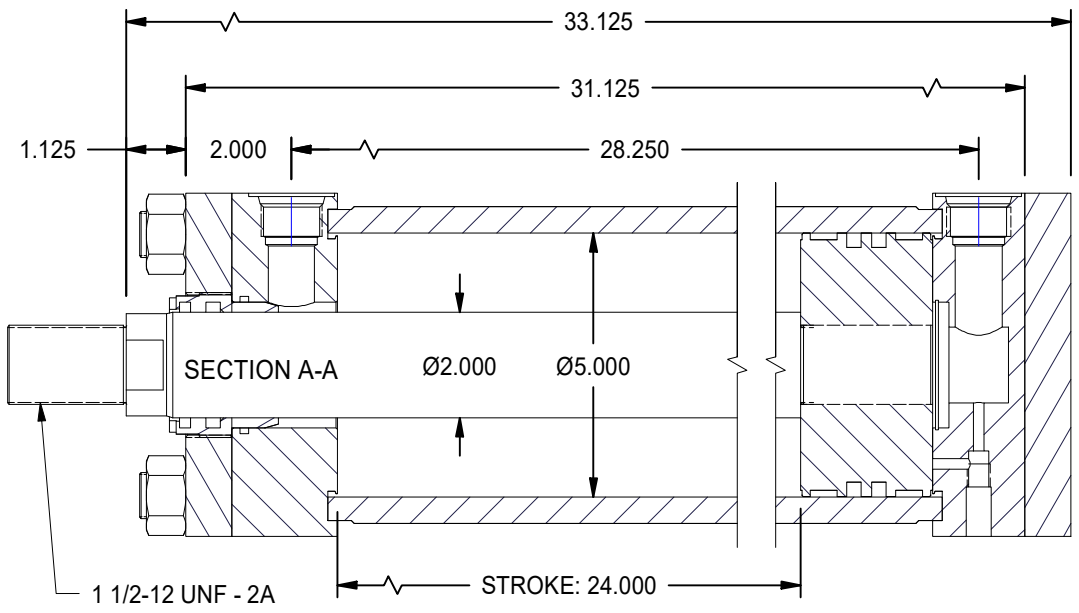
A


A



B

B



MODEL NUMBER:		PROJECT/CUSTOMER INFO:		DSGND:	DATE: 2013-03-07
 TITAN WORLDWIDE INC. <small>31 Year ISO 9001 Clear that all products are made in power. One that stands out for greatness of achievement!</small>		CAPACITY: 3000 PSI		WEIGHT: 187.066 lbmass	
		SHEET: A SHEET: 1 OF 1 FILENAME: TRH5.00MF2LT14X24.00.idw		TITLE: TRH5.00MF2LT14X24.00	
701 MONTREAL STREET THUNDER BAY, ON P7E 3P-2 CANADA TEL: 807-474-5337 FAX: 807-423-5692 www.titanworldwide.com		DRAWING No:		REVISION:	

1

2

DATE	INTL	DESCRIPTION	REV