

1

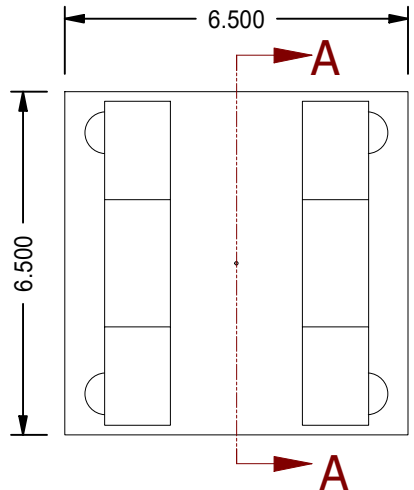
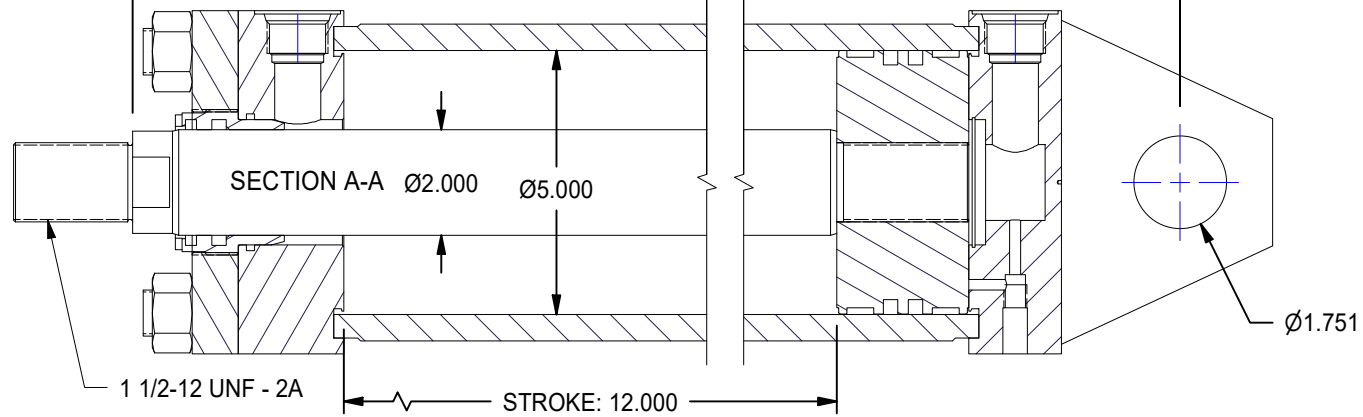
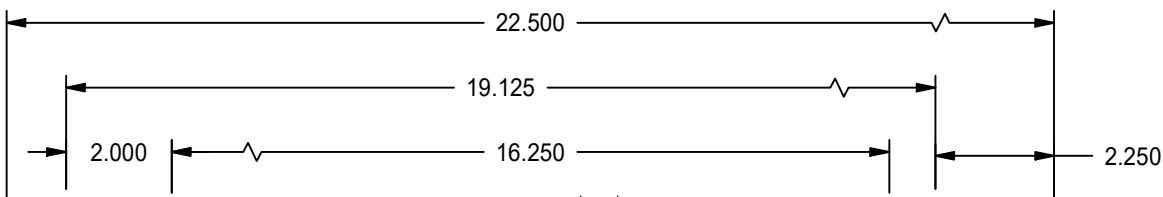
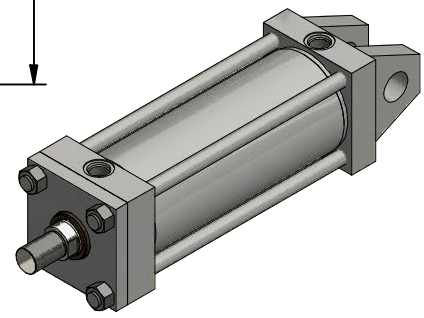
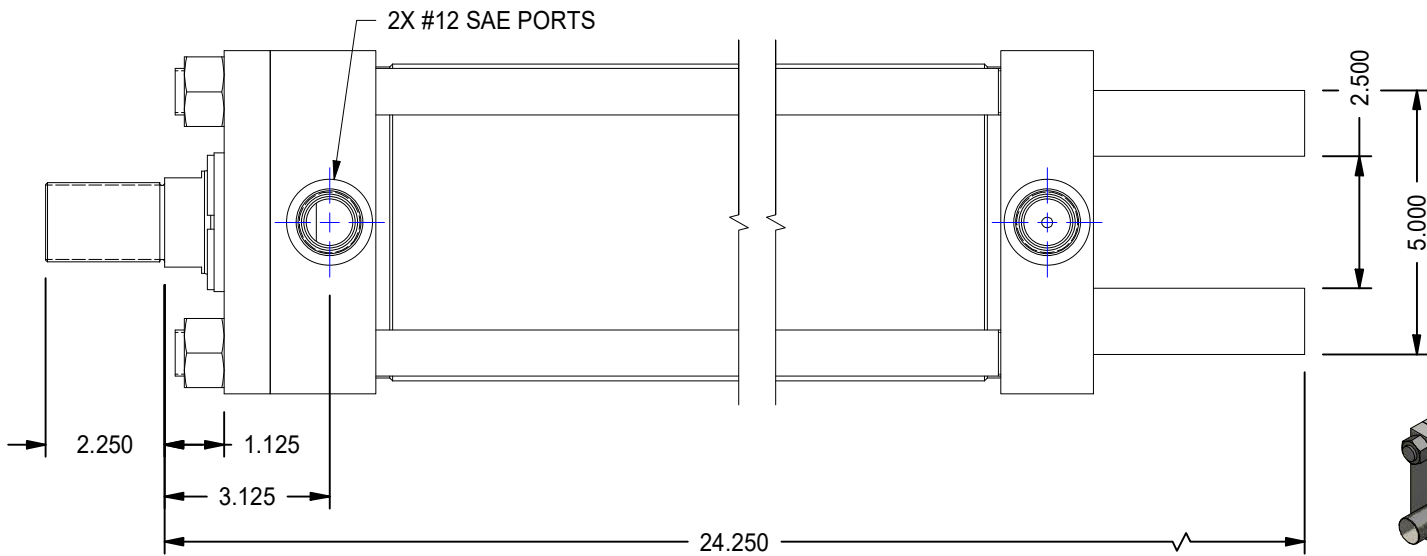
2


A

A

B

B



MODEL NUMBER:		PROJECT/CUSTOMER INFO:		DSGND:	DATE: 2011-08-09
 TITAN WORLDWIDE INC. <small>31 Year ISO 9001 Clear Fall or liquid in case of power. One that stands out for greatness of achievement!</small>		CAPACITY: 3000 PSI		WEIGHT: 133.962 lbmass	
		SHEET: A SHEET: 1 OF 1 FILENAME: TRH5.00MP1LT14X12.00.idw		TITLE: TRH5.00MP1LT14X12.00	
701 MONTREAL STREET THUNDER BAY, ON P7E 3P-2 CANADA TEL: 807-474-5337 FAX: 807-623-5692 www.titanworldwide.com				DRAWING No:	
				REVISION:	

DATE	INTL	DESCRIPTION	REV

1

2

