

1

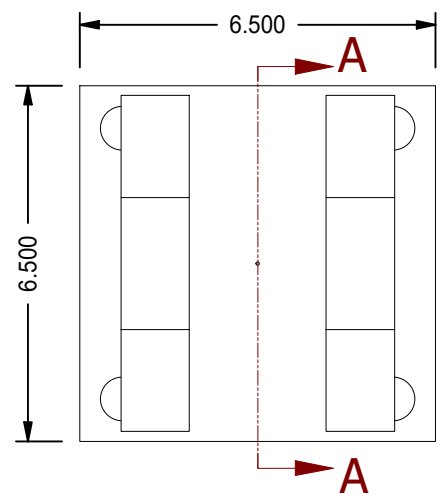
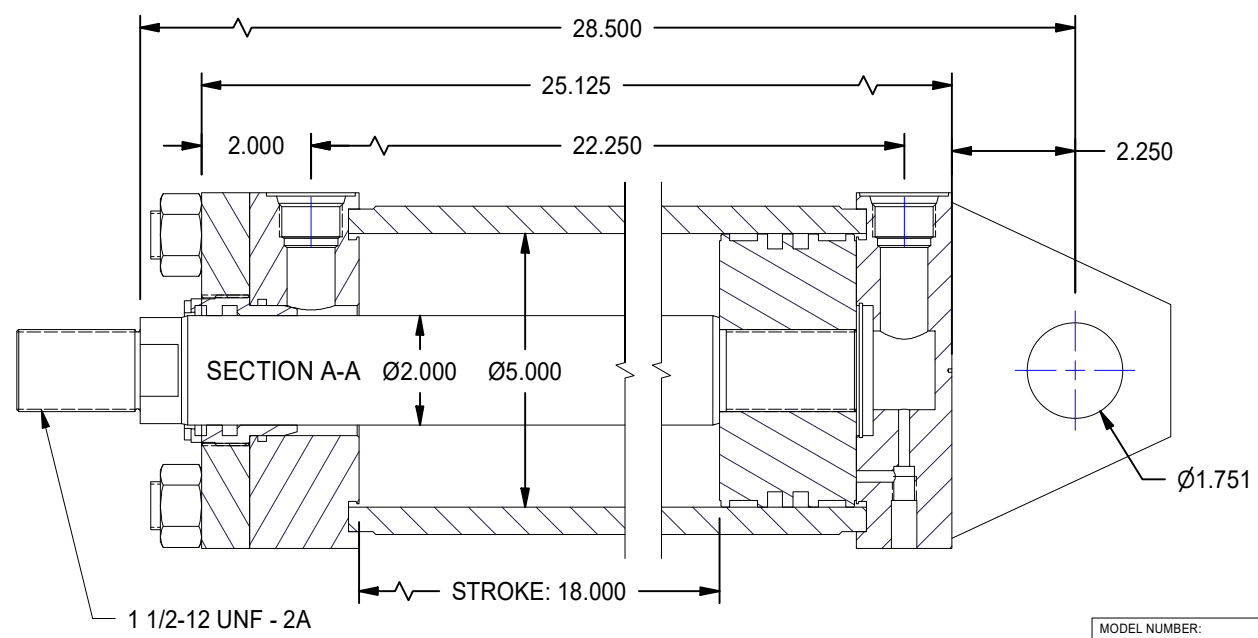
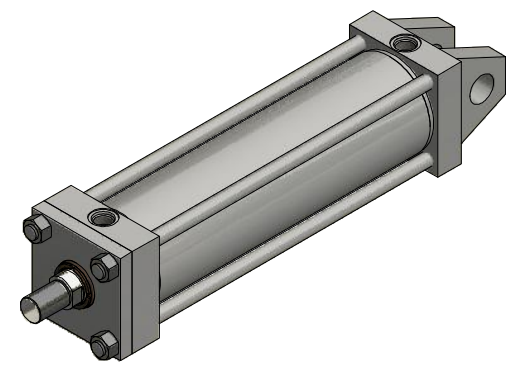
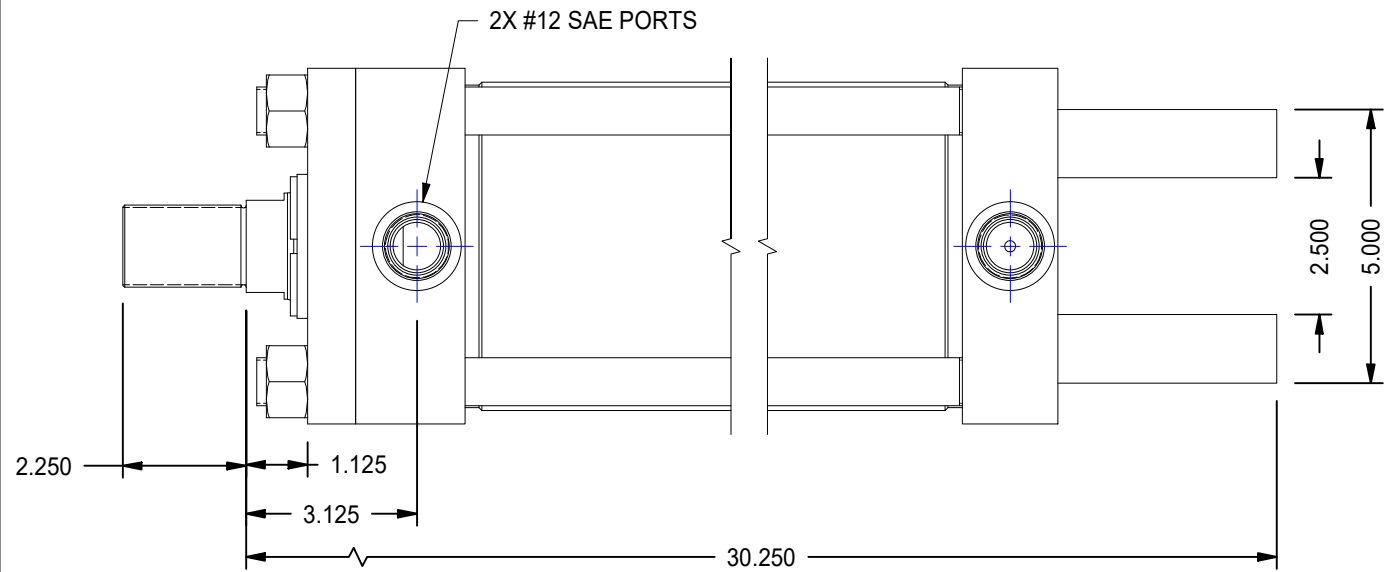
2

A

A

B


B



1

2



MODEL NUMBER:		PROJECT/CUSTOMER INFO:		DSGND:	DATE: 2011-08-09
 TITAN WORLDWIDE INC. <small>31 Year ISO 9001 Clear Fall or Ignition in case of power. One that stands out for greatness of achievement!</small> PHONE: 807-474-5337 FAX: 807-623-5692 EMAIL: info@titanworldwide.com WEB: www.titanworldwide.com 701 MONTREAL STREET THUNDER BAY, ON P7E 3P-2 CANADA TEL: 807-474-5337 FAX: 807-623-5692 www.titanworldwide.com		CAPACITY:	3000 PSI	SHEET SIZE: A SHEET: 1 OF 1 FILENAME: TRH5.00MP1LT14X18.00.idw	
		WEIGHT:	158.071 lbmass	TITLE: TRH5.00MP1LT14X18.00	
DRAWING No:				REVISION:	

DATE	INTL	DESCRIPTION	REV