

1

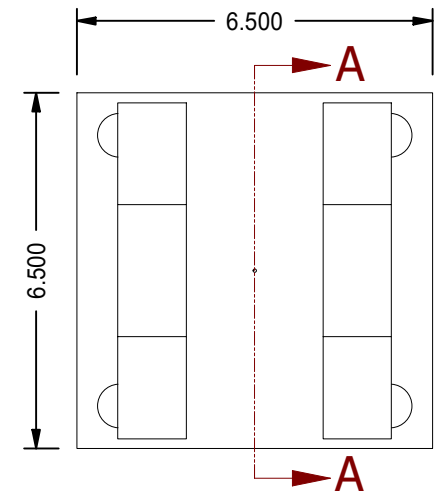
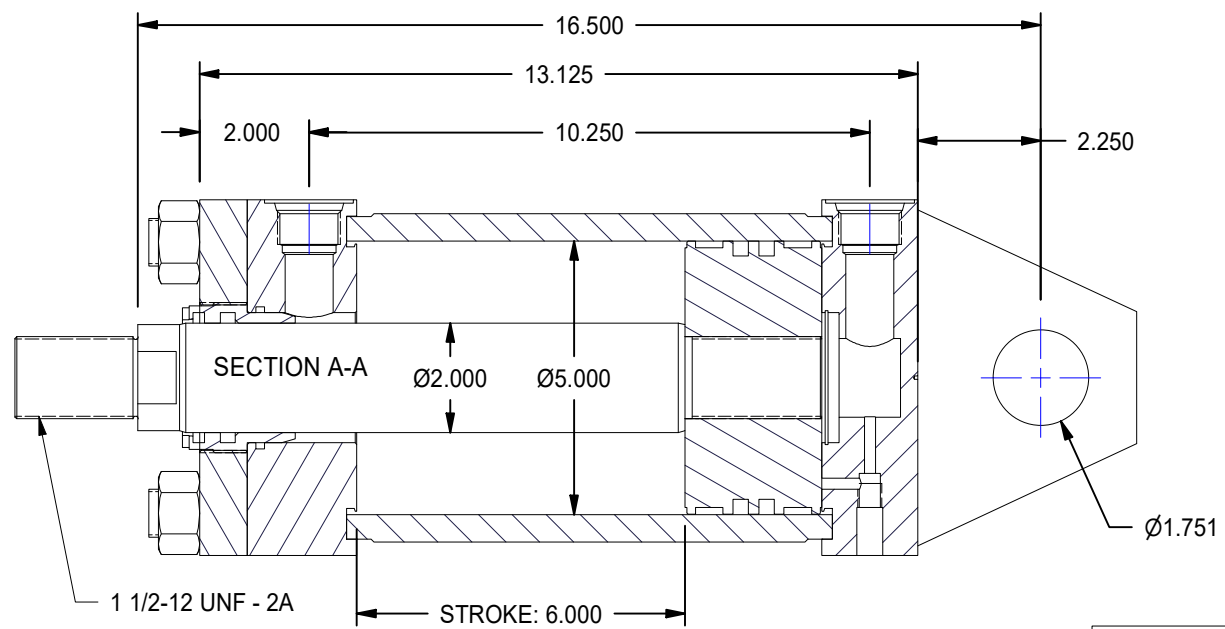
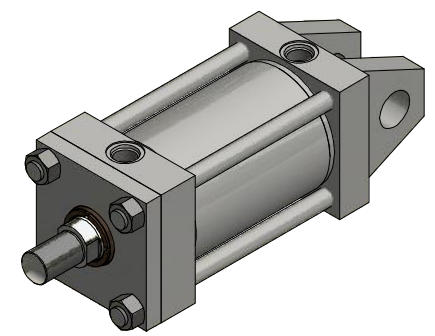
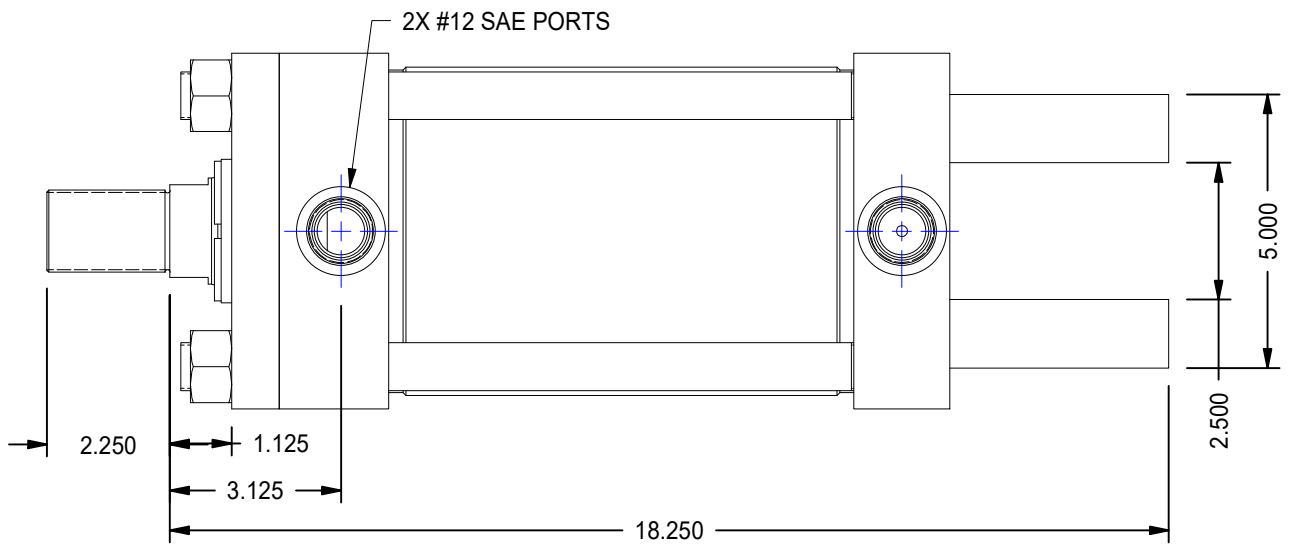
2

A

A

B

B



1

2

DATE	INTL	DESCRIPTION	REV

MODEL NUMBER:		PROJECT/CUSTOMER INFO:		DSGND:	DATE: 2011-08-09
TITAN WORLDWIDE INC. <small>31 Year ISO 9001</small> <small>Clear Fall or liquid in case of power. One that stands out for greatness of achievement!</small> <small>PHONE: 807-474-5337 FAX: 807-623-5692 EMAIL: info@titanworldwide.com WEB: www.titanworldwide.com</small>		CAPACITY: 3000 PSI		WEIGHT: 109.830 lbmass	
		SHEET: A SHEET: 1 OF 1 FILENAME: TRH5.00MP1LT14X6.00.idw		TITLE: TRH5.00MP1LT14X6.00	
701 MONTREAL STREET THUNDER BAY, ON P7E 3P-2 CANADA TEL: 807-474-5337 FAX: 807-623-5692 www.titanworldwide.com				DRAWING No:	
					REVISION: