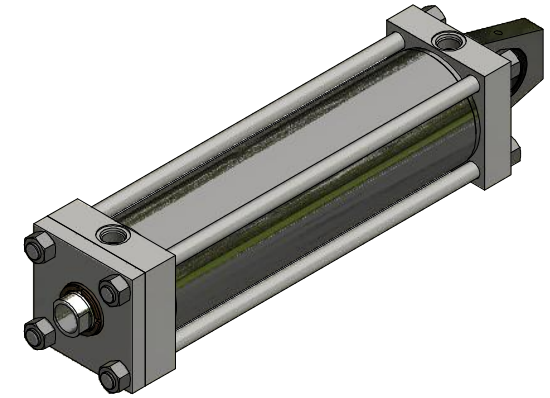
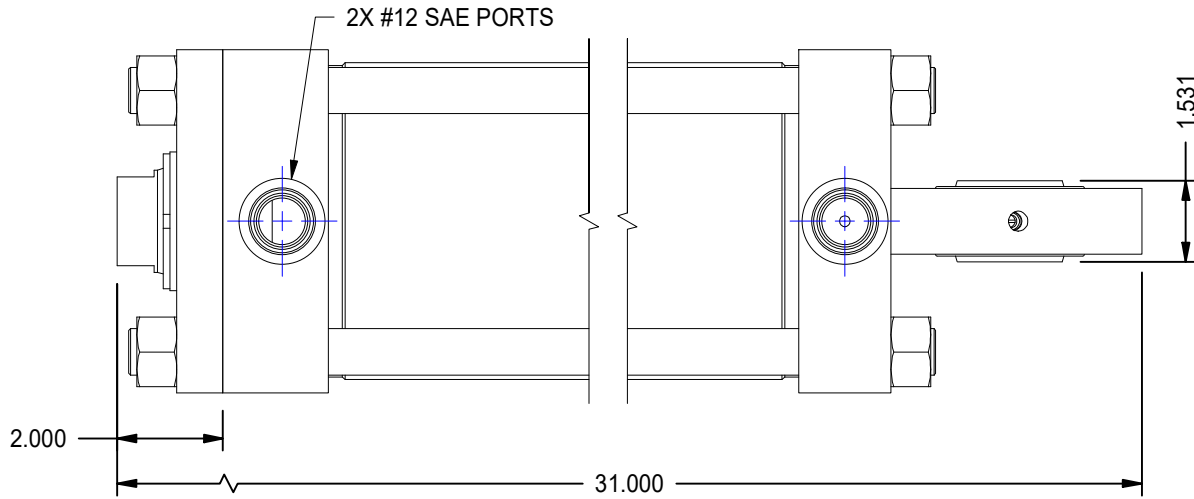


1

2

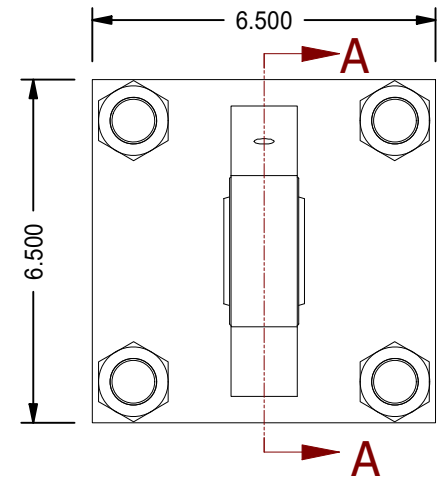
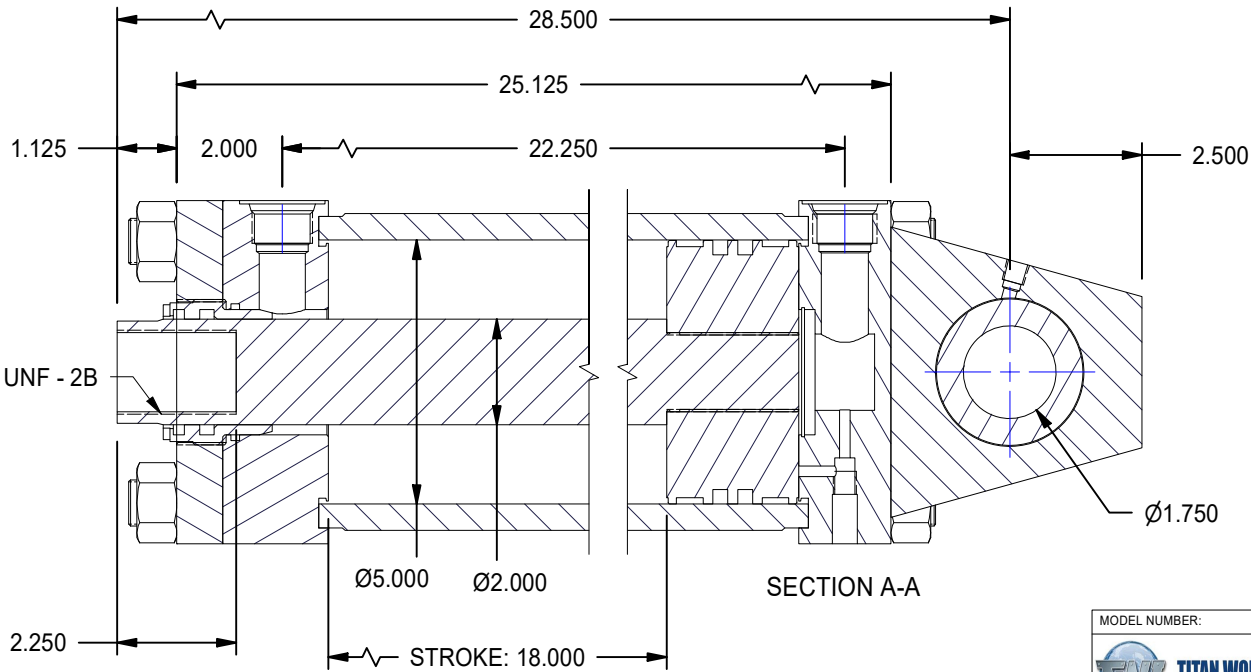
A

A




B

B



B

B

MODEL NUMBER:		PROJECT/CUSTOMER INFO:		DSGND:	DATE: 2013-03-07
 TITAN WORLDWIDE INC. <small>31 Year ISO 9001</small> <small>Clear title in plastic in case of power. One that stands out for generations of achievement!</small> <small>PHONE: 807-474-5337 FAX: 807-623-5692 EMAIL: info@titanworldwide.com WEB: www.titanworldwide.com</small>		CAPACITY:	3000 PSI		
		WEIGHT:	151.550 lbmass		
SHEET SIZE:	A	SHEET:	1 OF 1		FILENAME:
TITLE:		TRH5.00MP5LT14X18.00			
DRAWING No:					REVISION:

1

2

DATE	INTL	DESCRIPTION	REV

1