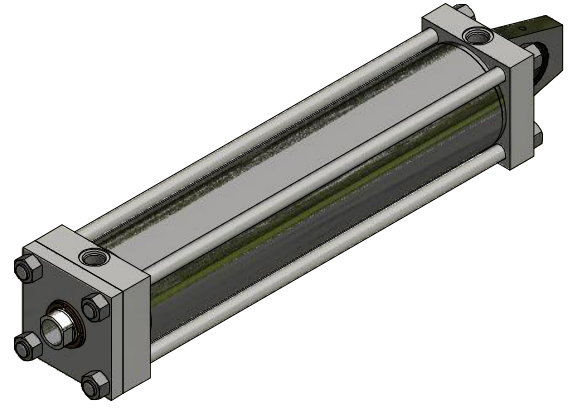
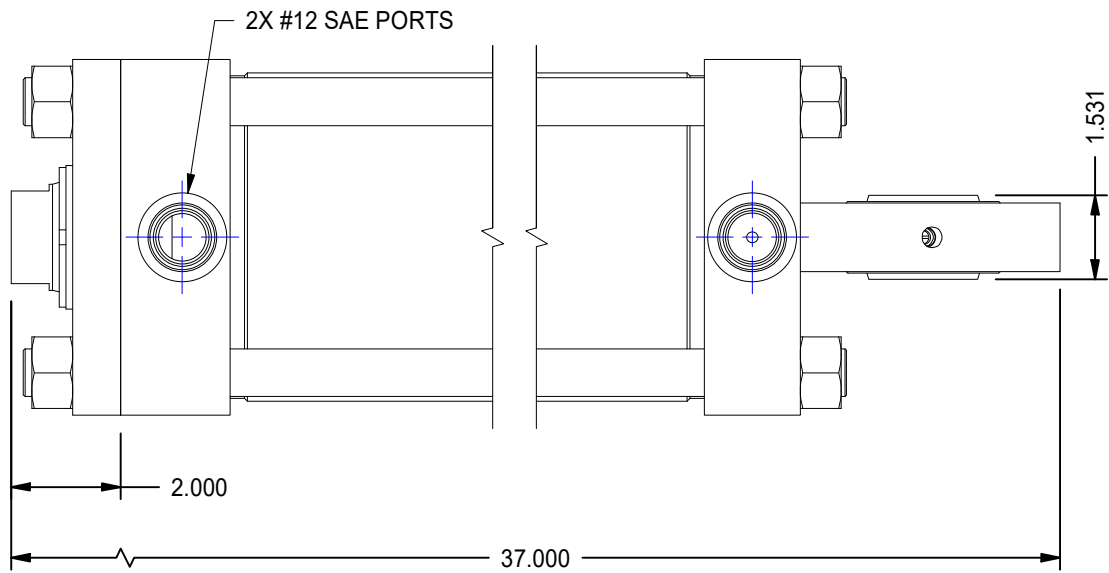


1

2

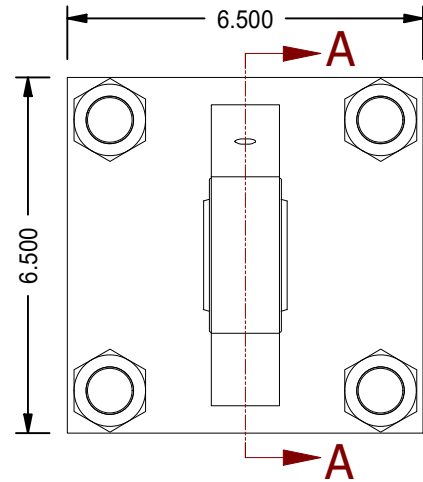
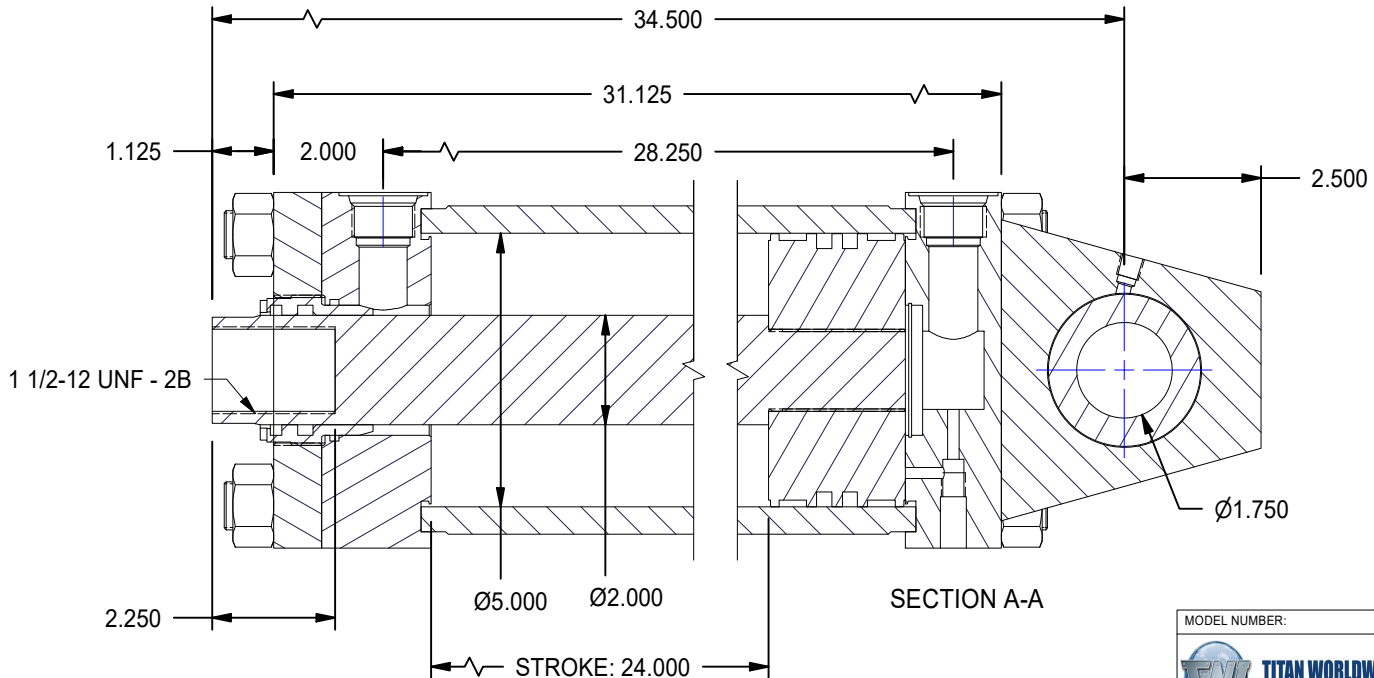
A


A



B

B



MODEL NUMBER:		PROJECT/CUSTOMER INFO:		DSGND:	DATE: 2013-03-07
 TITAN WORLDWIDE INC. <small>31 Year ISO 9001</small> <small>Clear title or graphic, in date or power. One that stands out for greatness of achievement!</small> <small>PHONE: 807-474-5337 FAX: 807-623-5692 EMAIL: info@titanworldwide.com WEB: www.titanworldwide.com</small>		CAPACITY: 3000 PSI		SHEET SIZE: A	
		WEIGHT: 175.690 lbmass		SHEET: 1 OF 1	
701 MONTREAL STREET THUNDER BAY, ON P7E 3P-2 CANADA TEL: 807-474-5337 FAX: 807-623-5692 www.titanworldwide.com		FILENAME: TRH5.00MP5LT14X24.00.idw		TITLE: TRH5.00MP5LT14X24.00	
DRAWING No:				REVISION:	

1

2

DATE	INTL	DESCRIPTION	REV

1

2