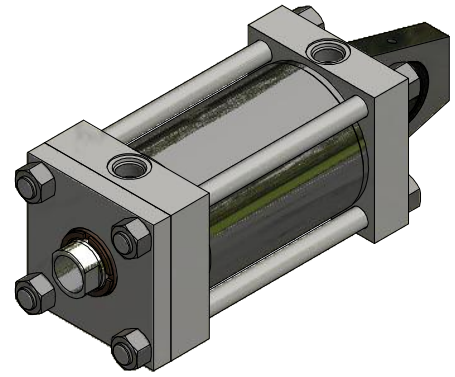
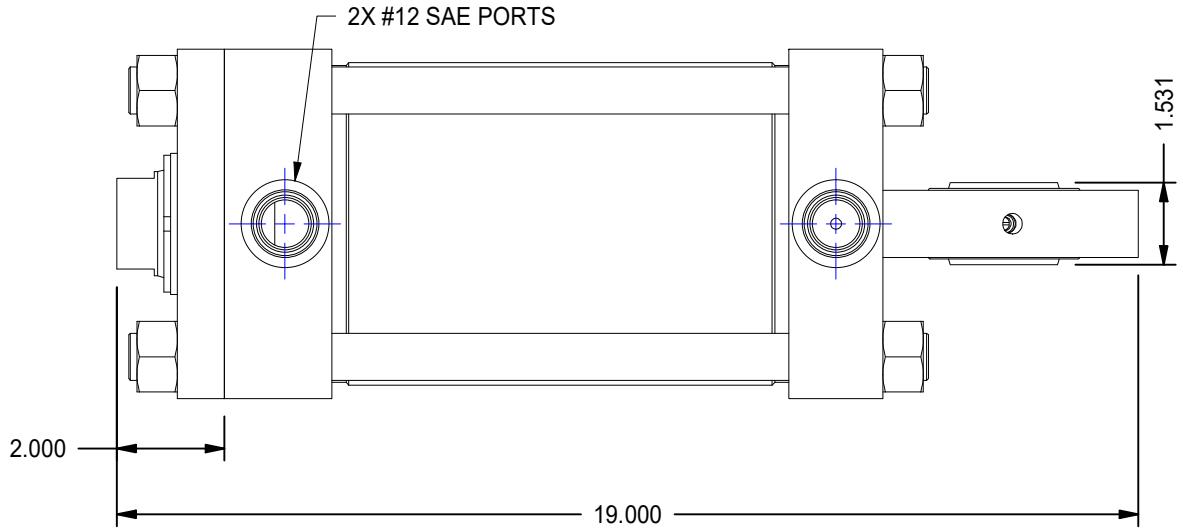


1

2

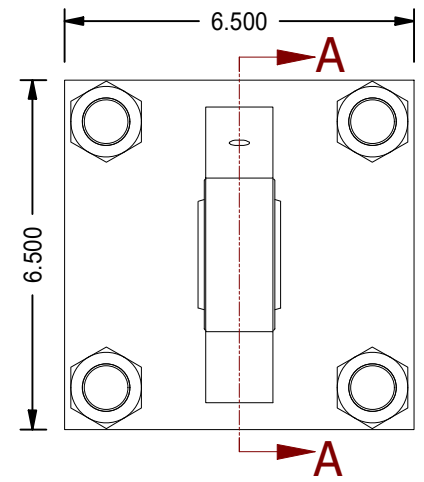
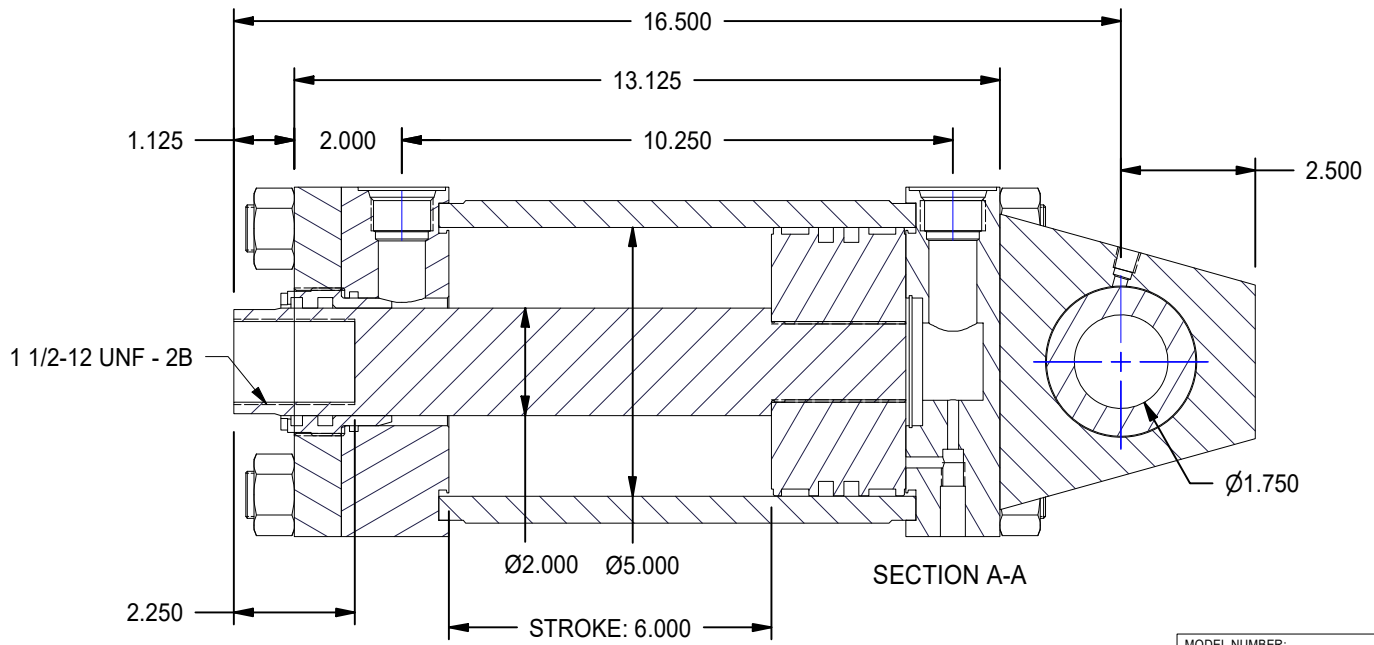
A

A



B

B




B

B

1

2

DATE	INTL	DESCRIPTION	REV

MODEL NUMBER:		PROJECT/CUSTOMER INFO:		DSGND:	DATE: 2013-03-07
 <b>TITAN WORLDWIDE INC.</b> <small>71 rue 100e, Thunder Bay, ON P7E 3P2, CANADA          TEL: 807-474-5337          FAX: 807-623-5692          www.titanworldwide.com</small>		CAPACITY: 3000 PSI		WEIGHT: 103.272 lbmass	
		SHEET: A		SHEET: 1 OF 1	
TITLE: TRH5.00MP5LT14X6.00					
DRAWING No:					REVISION: