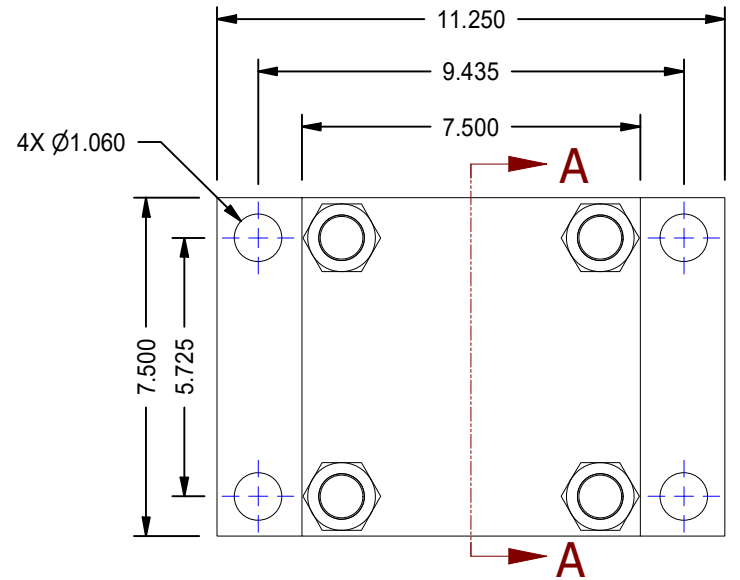
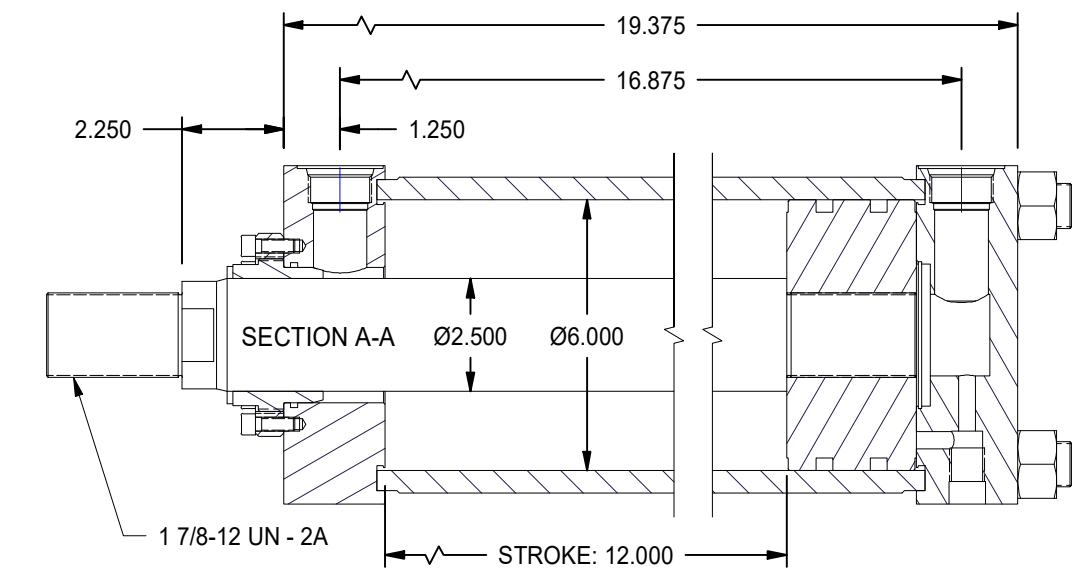
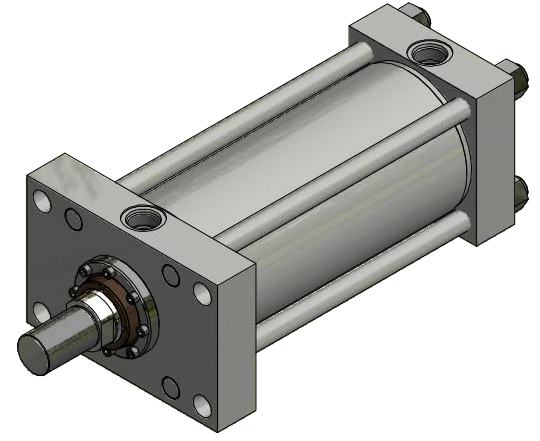
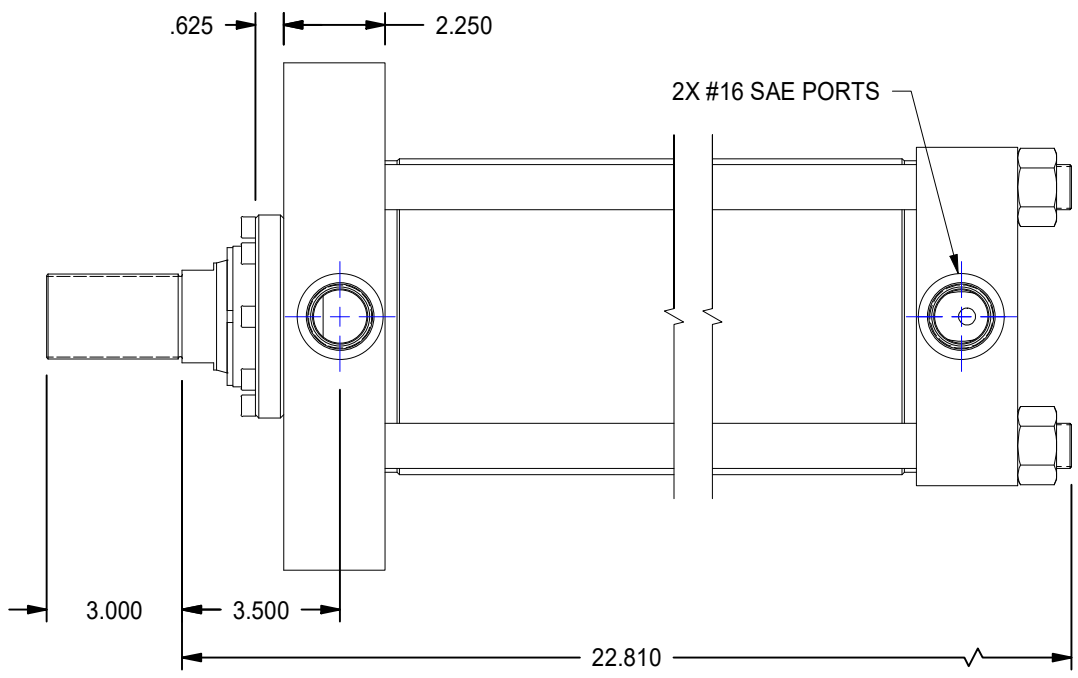


1

2



A

A


B

B

1

2

DATE	INTL	DESCRIPTION	REV

MODEL NUMBER:		PROJECT/CUSTOMER INFO:		DSGND:	DATE: 2011-12-05
 <b>TITAN WORLDWIDE INC.</b> <small>31 Sun Blvd. Clear Lake, CA 94631-1000 Clear Lake is registered in state of power. One that stands out for greatness of achievement!</small>		CAPACITY: 3000 PSI		WEIGHT: 183.460 lbmass	
		SHEET: A SHEET: 1 OF 1 FILENAME: TRH6.00ME5LT14X12.00.idw		TITLE: TRH6.00ME5LT14X12.00	
701 MONTREAL STREET THUNDER BAY, ON P7E 3P-2 CANADA TEL: 807-474-5337 FAX: 807-623-5692 www.titanworldwide.com				DRAWING No:	
					REVISION: