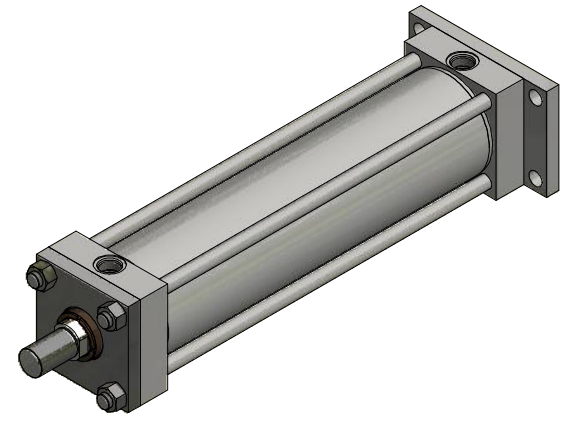
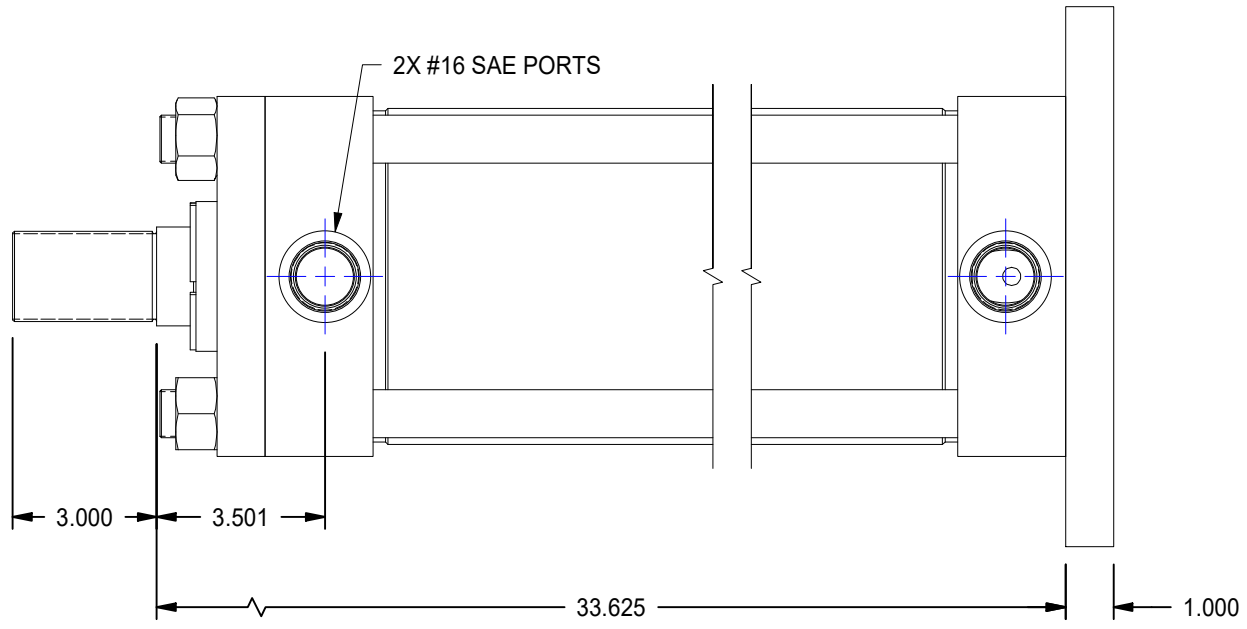


1

2

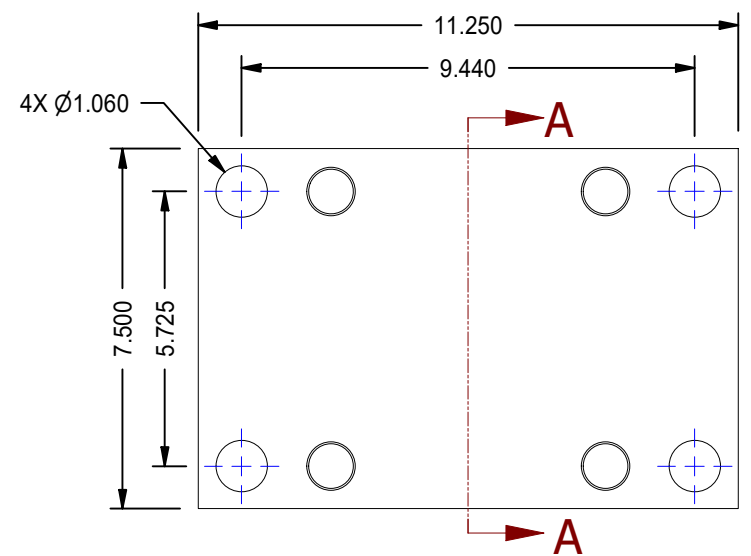
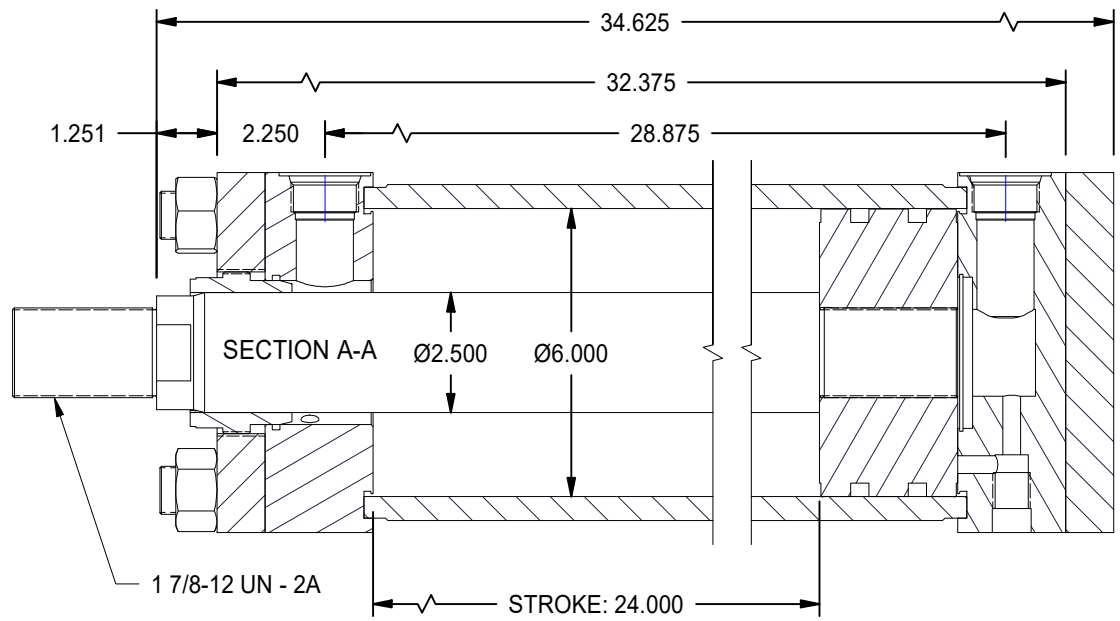
A


A



B

B



|   |  |   |  |                             |                  |
|---|--|---|--|-----------------------------|------------------|
| MODEL NUMBER:   |  | PROJECT/CUSTOMER INFO:                                    |  | DSGND:                      | DATE: 2013-03-07 |
|  <b>TITAN WORLDWIDE INC.</b><br><small>31 Year ISO 9001<br/>Clear title or graphic in case of power. One that stands out for greatness of achievement!</small> |  | CAPACITY: 3000 PSI  |  | WEIGHT: 264.401 lbmass      |                  |
|   |  | SHEET: A SHEET: 1 OF 1 FILENAME: TRH6.00MF2LT14X24.00.idw |  | TITLE: TRH6.00MF2LT14X24.00 |                  |
| 701 MONTREAL STREET<br>THUNDER BAY, ON<br>P7E 3P-2<br>CANADA<br>TEL: 807-474-5337<br>FAX: 807-423-5692<br>www.titanworldwide.com  |  |   |  | DRAWING No:                 |                  |
|   |  |   |  |                             | REVISION:        |

1

2

| DATE | INTL | DESCRIPTION | REV |
|------|------|-------------|-----|
|      |      |             |     |