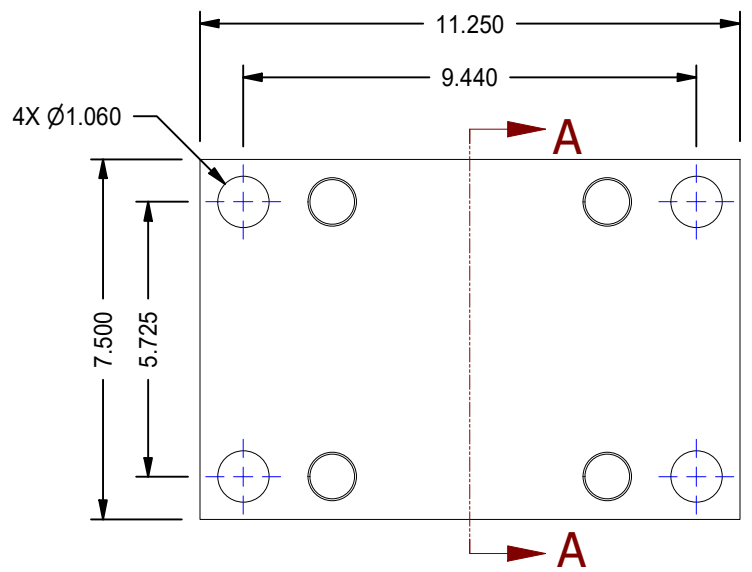
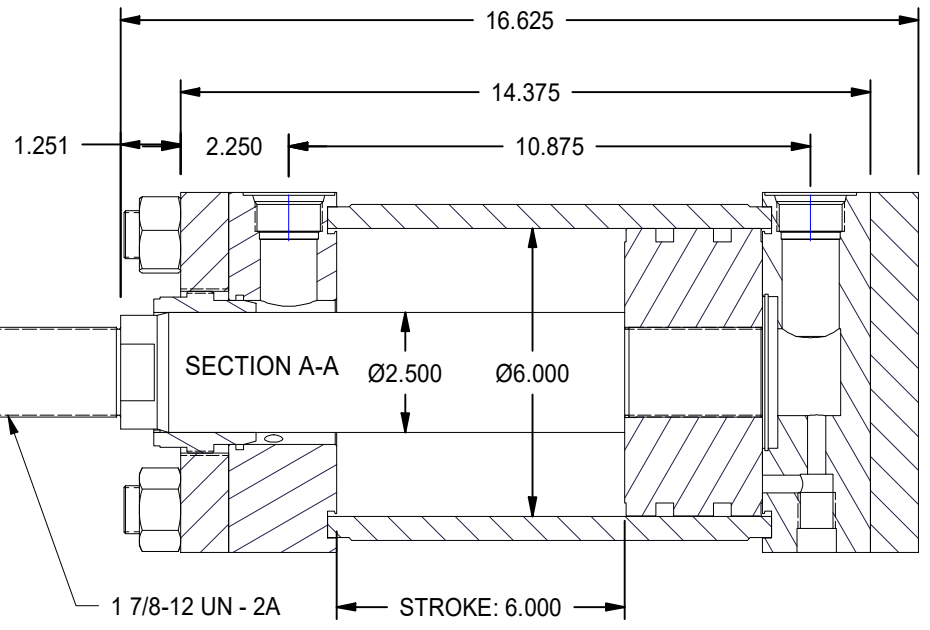
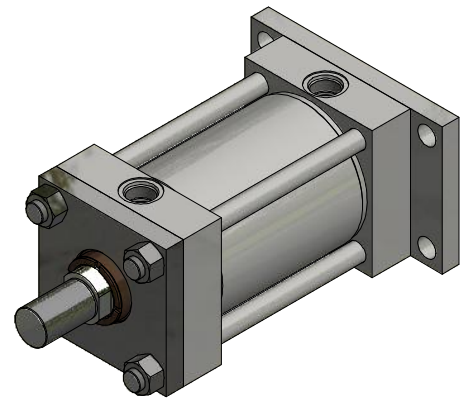
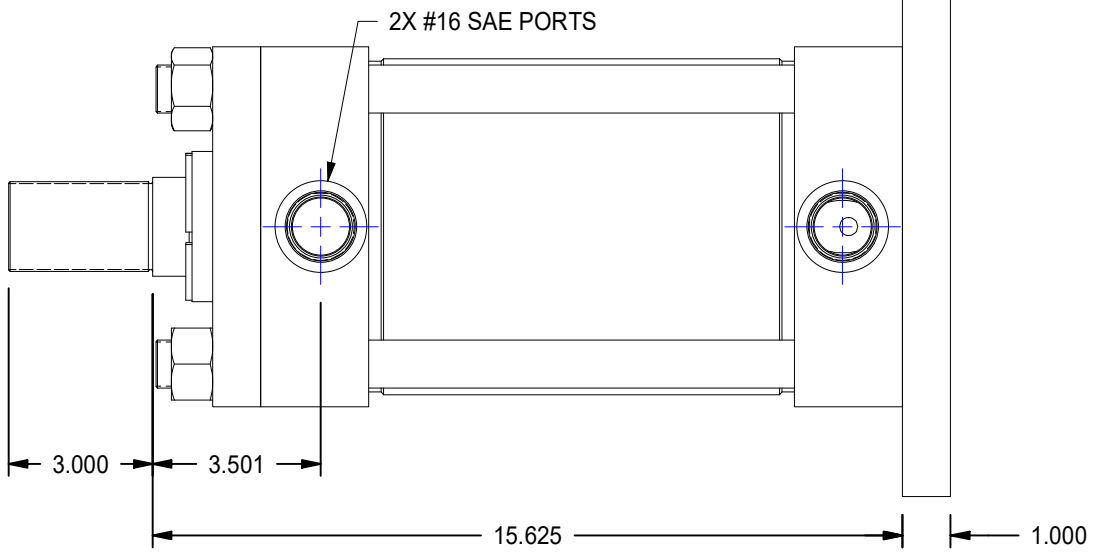


1

2


A

A



B

B

MODEL NUMBER:		PROJECT/CUSTOMER INFO:		DSGND:	DATE: 2013-03-07
 TITAN WORLDWIDE INC. <small>31 Year ISO 9001</small> <small>Clear that it applies to date of purchase. One that stands out for greatness of achievement!</small> <small>PHONE: 807-474-5337 FAX: 807-623-5692 EMAIL: info@stanworldwide.com WEB: www.stanworldwide.com</small>		CAPACITY: 3000 PSI		WEIGHT: 171.217 lbmass	
		SHEET: A SHEET: 1 OF 1 FILENAME: TRH6.00MF2LT14X6.00.idw		TITLE: TRH6.00MF2LT14X6.00	
701 MONTREAL STREET THUNDER BAY, ON P7E 3P-2 CANADA TEL: 807-474-5337 FAX: 807-623-5692 www.titanworldwide.com				DRAWING No:	REVISION:

1

2

DATE	INTL	DESCRIPTION	REV