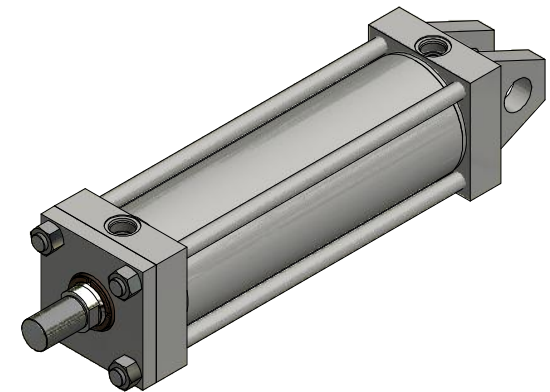
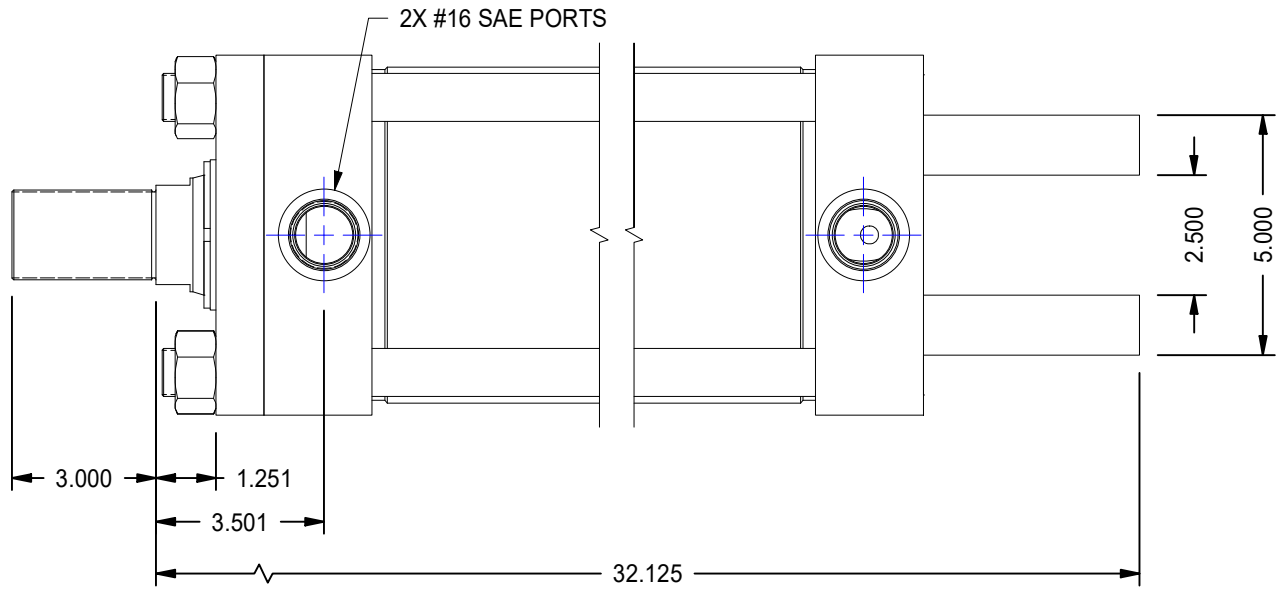


1

2

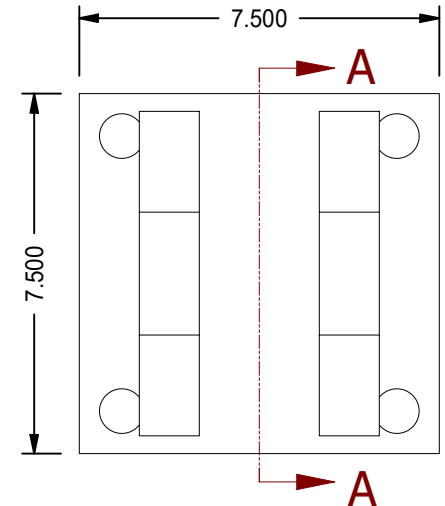
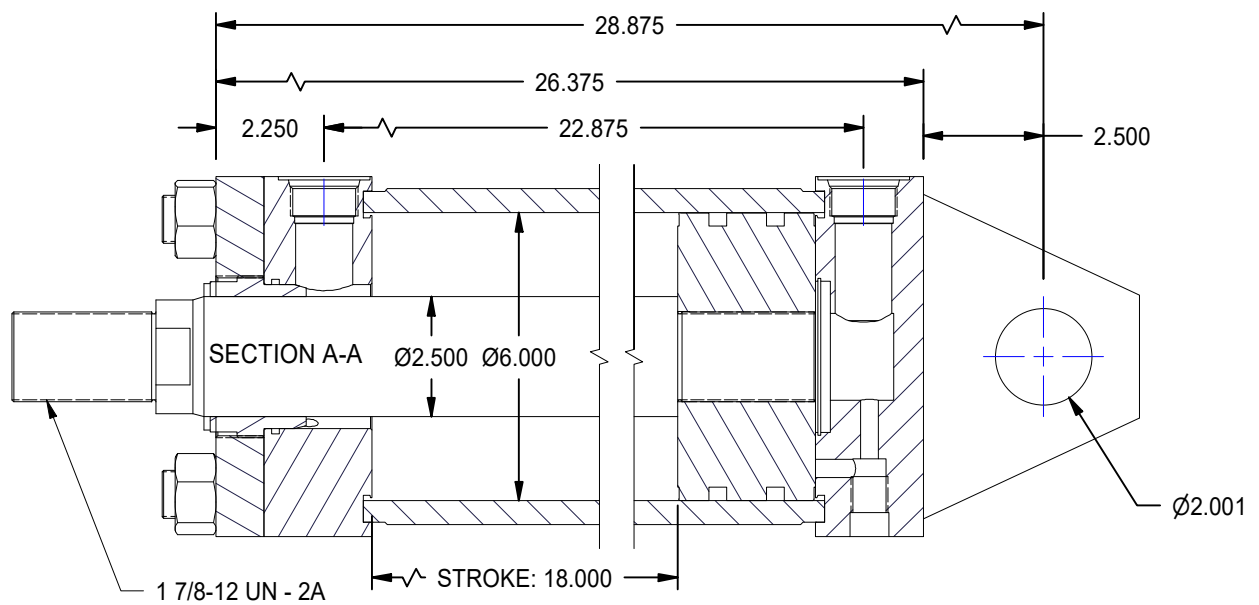
A

A



B

B




B

B

1

2

DATE	INTL	DESCRIPTION	REV

MODEL NUMBER:		PROJECT/CUSTOMER INFO:		DSGND:	DATE: 2012-01-17
 TITAN WORLDWIDE INC. <small>31 Year ISO 9001</small> <small>Clear Fall or liquid in case of power. One that stands out for greatness in achievement!</small> <small>PHONE: 807-474-5337 FAX: 807-423-5692 EMAIL: info@titanworldwide.com WEB: www.titanworldwide.com</small>		CAPACITY:	3000 PSI	SHEET SIZE: A SHEET: 1 OF 1 FILENAME: TRH6.00MP1LT14X18.00.idw	
		WEIGHT:	223.567 lbmass	TITLE: TRH6.00MP1LT14X18.00	
701 MONTREAL STREET THUNDER BAY, ON P7E 3P-2 CANADA TEL: 807-474-5337 FAX: 807-423-5692 www.titanworldwide.com				DRAWING No:	
					REVISION: A