

1

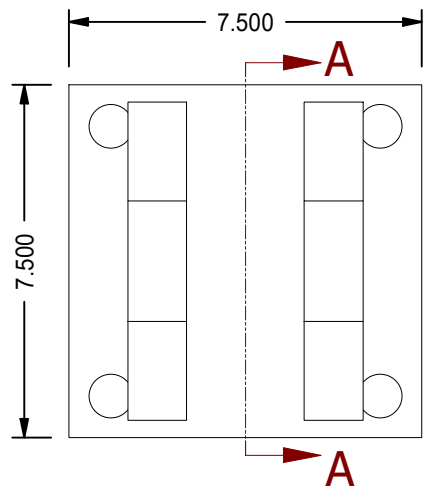
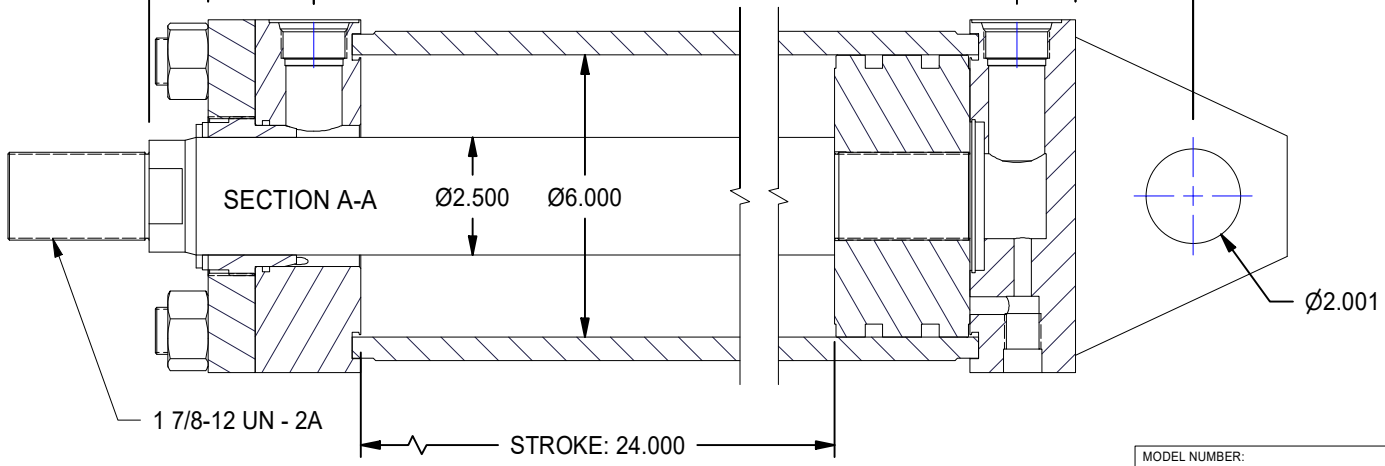
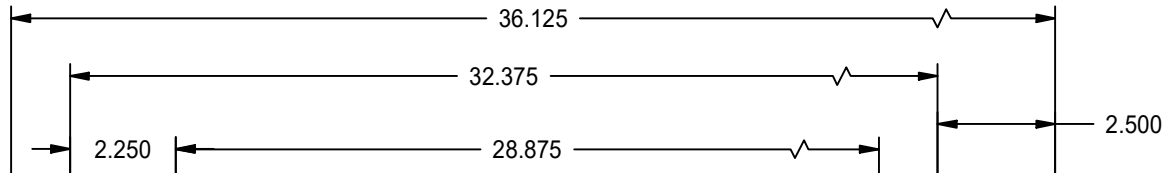
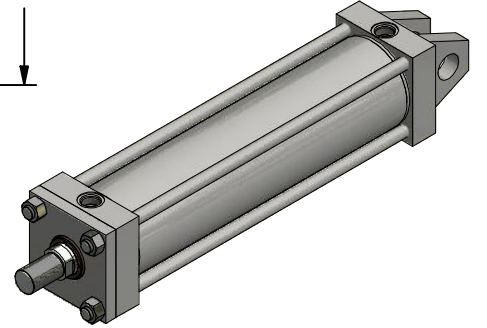
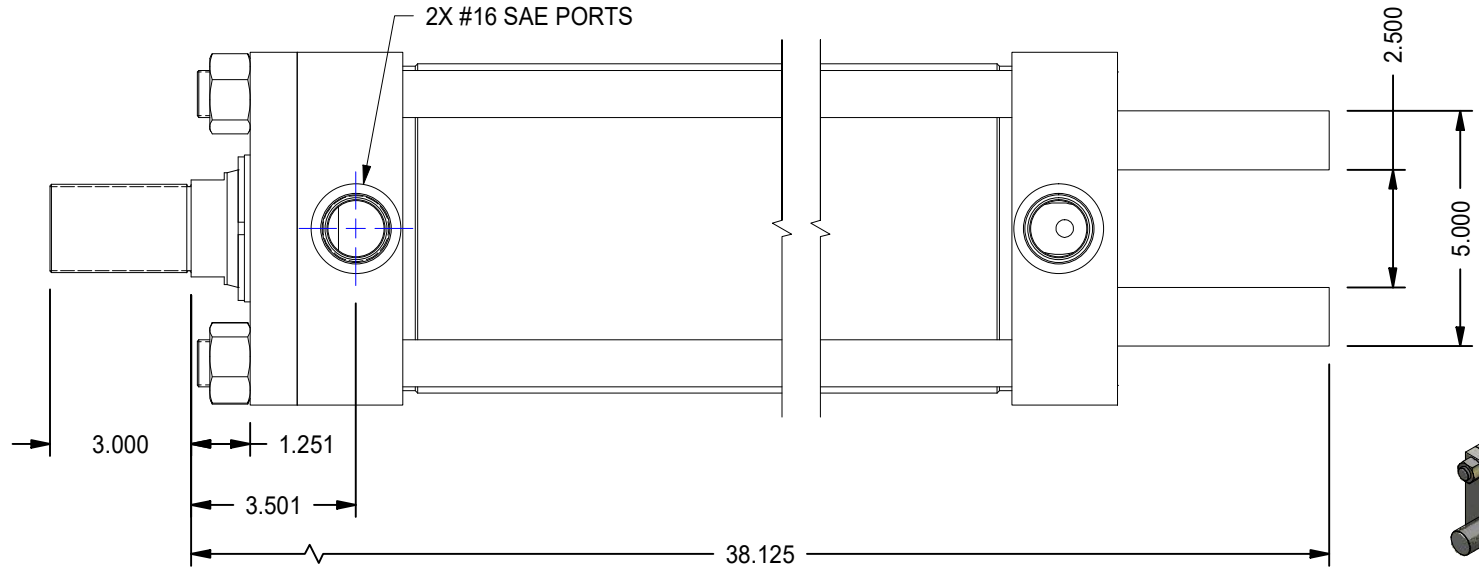
2


A

A

B

B



MODEL NUMBER:		PROJECT/CUSTOMER INFO:		DSGND:	DATE: 2012-01-17
 <b>TITAN WORLDWIDE INC.</b> <small>71 ton 5000 L</small> <small>Clear fluid or glycolic in case of power. One that stands out for greatness of achievement!</small> <small>PHONE: 807-474-5337 FAX: 807-623-5692 EMAIL: info@stanworldwide.com WEB: www.stanworldwide.com</small>		CAPACITY: 3000 PSI		WEIGHT: 254.628 lbmass	
		SHEET: A SHEET: 1 OF 1 FILENAME: TRH6.00MP1LT14X24.00.idw		TITLE: TRH6.00MP1LT14X24.00	
DRAWING No:					REVISION: A

DATE	INTL	DESCRIPTION	REV

1

2

