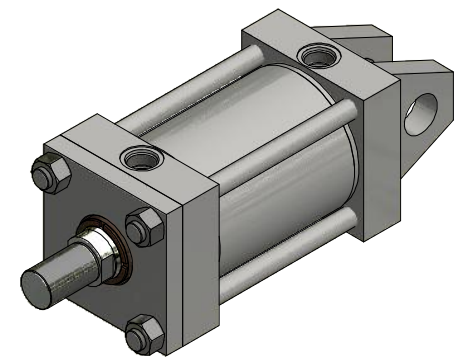
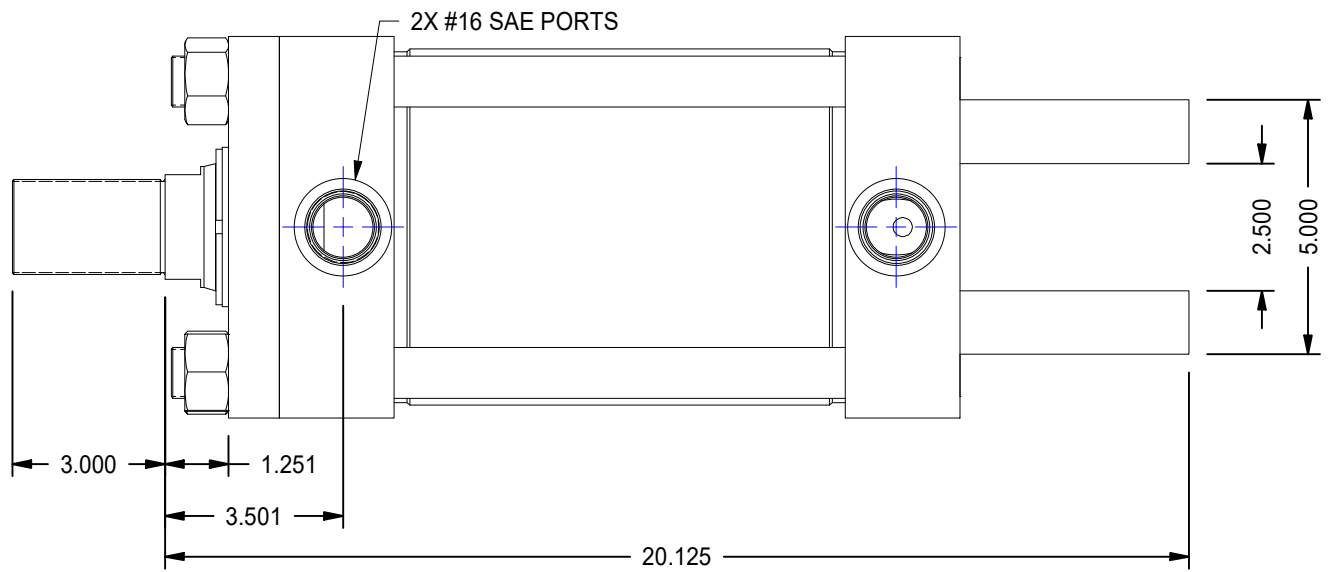


1

2

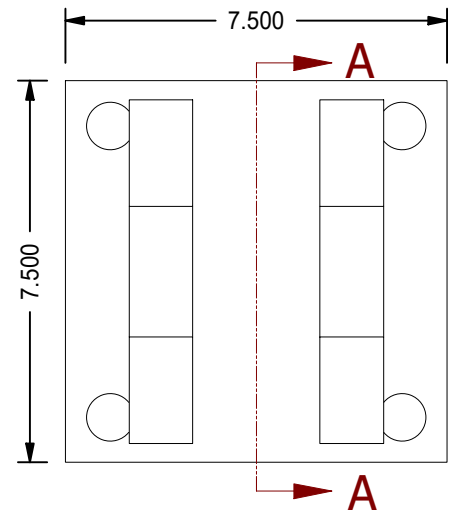
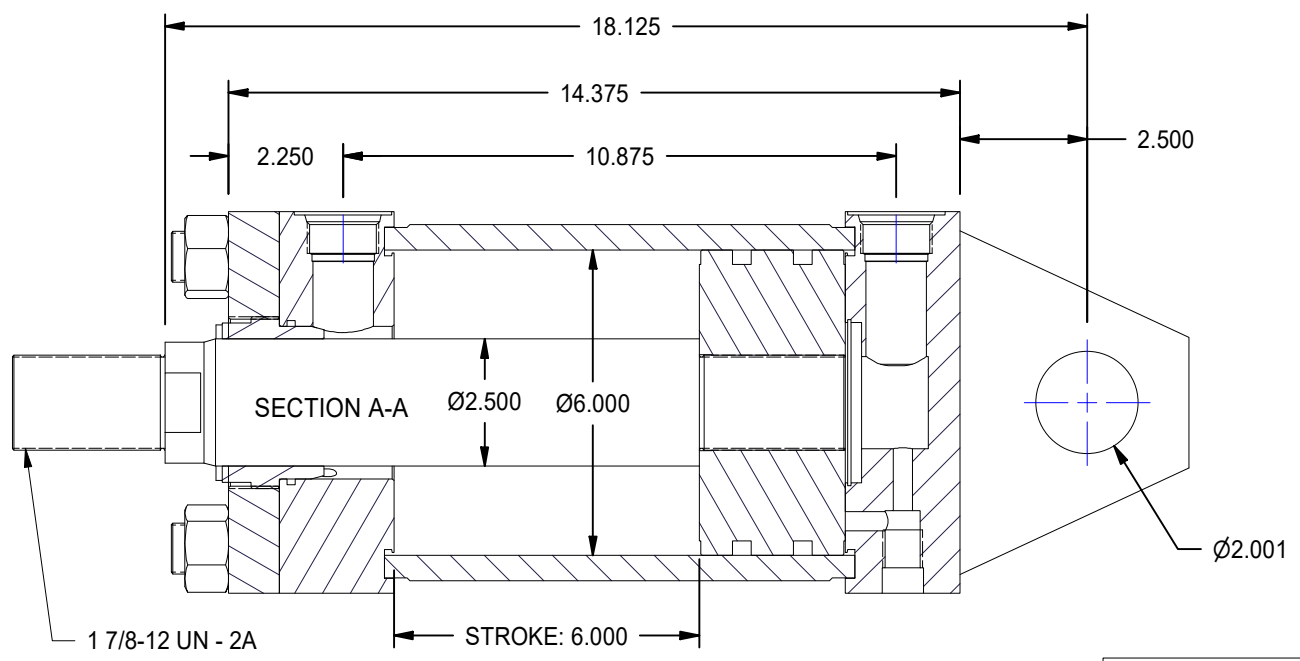
A

A



B


B



1

2

DATE	INTL	DESCRIPTION	REV

MODEL NUMBER:		PROJECT/CUSTOMER INFO:		DSGND:	DATE: 2012-01-17
 TITAN WORLDWIDE INC. <small>31 Year ISO 9001 Clear Fall or Ignition in case of power. One that stands out for greatness of achievement!</small>		CAPACITY: 3000 PSI		WEIGHT: 161.444 lbmass	
		SHEET: A SHEET: 1 OF 1 FILENAME: TRH6.00MP1LT14X6.00.idw		TITLE: TRH6.00MP1LT14X6.00	
DRAWING No:					REVISION: A

701 MONTREAL STREET
 THUNDER BAY, ON
 P7E 3P2
 CANADA
 TEL: 807-474-5337
 FAX: 807-623-5692
 www.titanworldwide.com