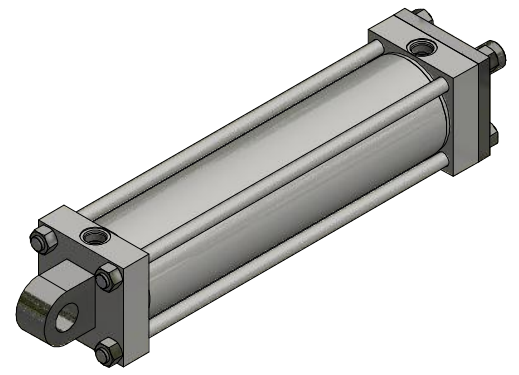
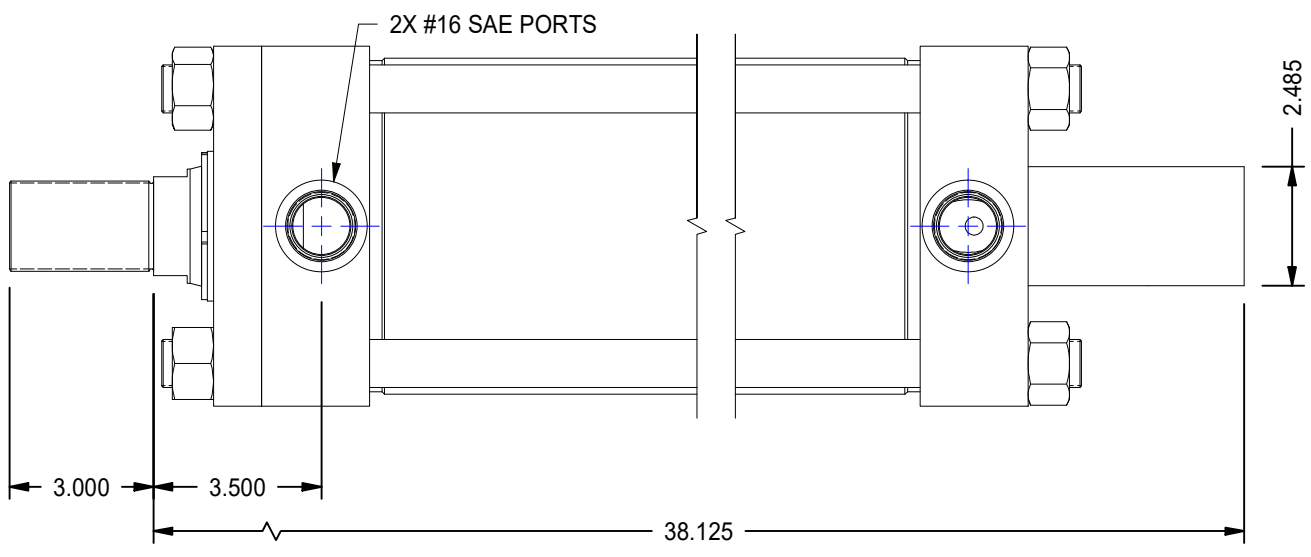


1

2

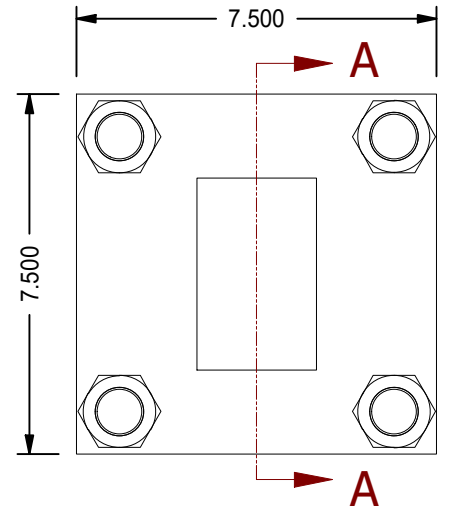
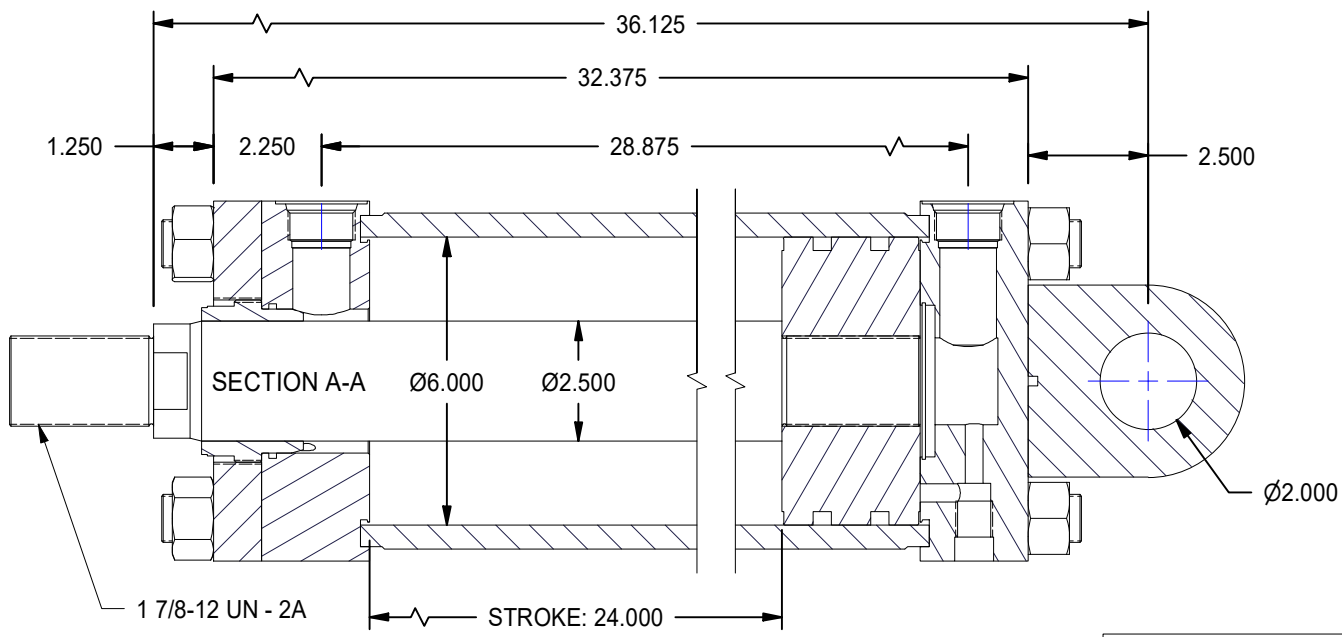
A

A



B

B




B

B

1

2

DATE	INTL	DESCRIPTION	REV

MODEL NUMBER:		PROJECT/CUSTOMER INFO:		DSGND:	DATE: 2013-03-07
 TITAN WORLDWIDE INC. <small>71 rue 50th St. Clear Lake or Republic, in state or province. One that stands out for greatness of achievement</small>		CAPACITY: 3000 PSI		WEIGHT: 252.879 lbmass	
		SHEET: A SHEET: 1 OF 1 FILENAME: TRH6.00MP3LT14X24.00.idw		TITLE: TRH6.00MP3LT14X24.00	
701 MONTREAL STREET THUNDER BAY, ON P7E 3P-2 CANADA TEL: 807-474-5337 FAX: 807-623-5692 www.titanworldwide.com				DRAWING No:	
					REVISION: