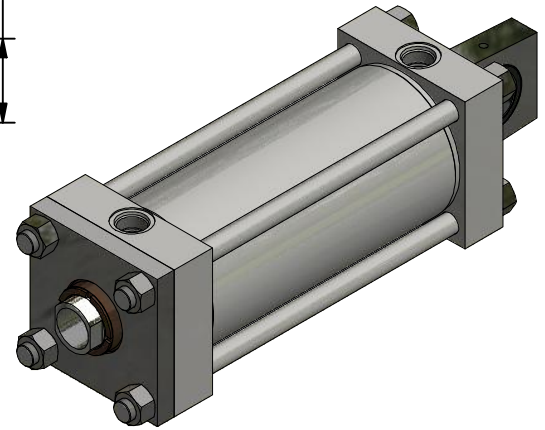
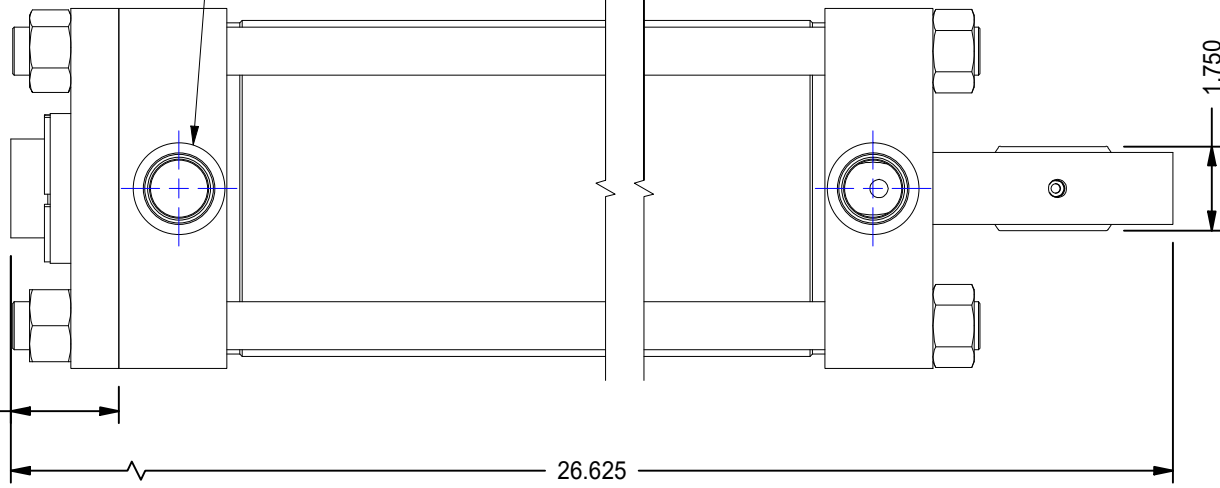


1

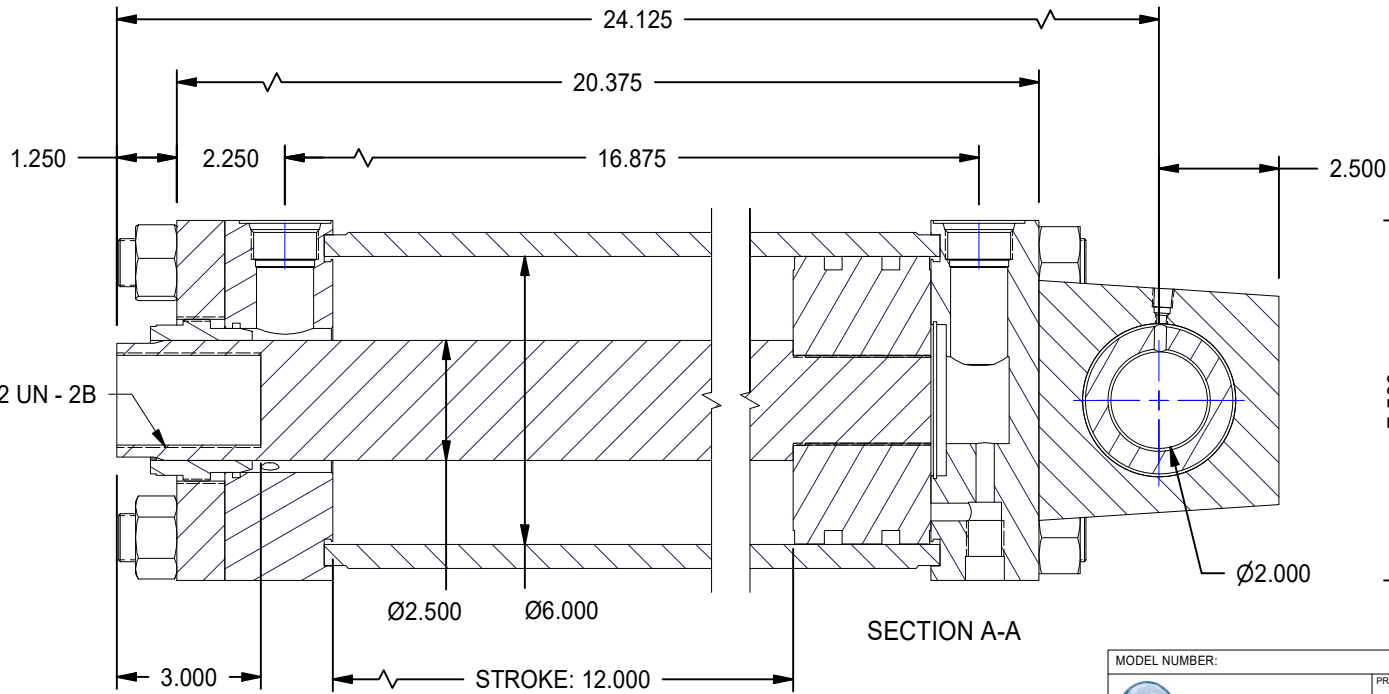
2

2X #16 SAE PORTS

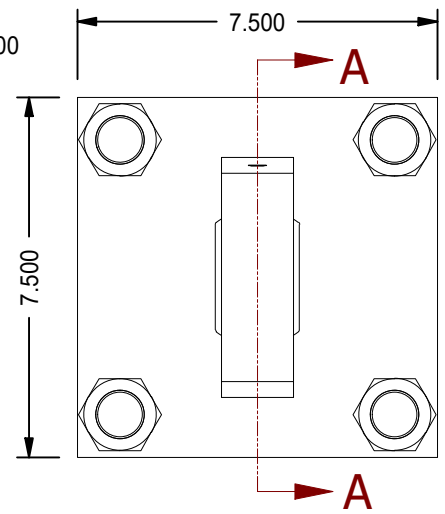


A

A




SECTION A-A



B

B

MODEL NUMBER:		PROJECT/CUSTOMER INFO:		DSGND:	DATE: 2013-03-07
 TITAN WORLDWIDE INC. <small>71 rue 5000, Case Mail de Québec, en face de Power. One that stands out for greatness of achievement</small>		CAPACITY: 3000 PSI		WEIGHT: 185.372 lbmass	
		SHEET: A SHEET: 1 OF 1 FILENAME: TRH6.00MP5LT14X12.00.idw		TITLE: TRH6.00MP5LT14X12.00	
701 MONTREAL STREET THUNDER BAY, ON P7E 3P-2 CANADA TEL: 807-474-5337 FAX: 807-623-5692 www.titanworldwide.com		DRAWING No:		REVISION:	

DATE	INTL	DESCRIPTION	REV

1

2

1