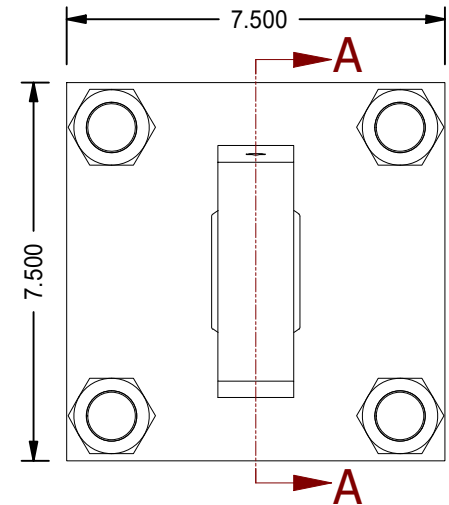
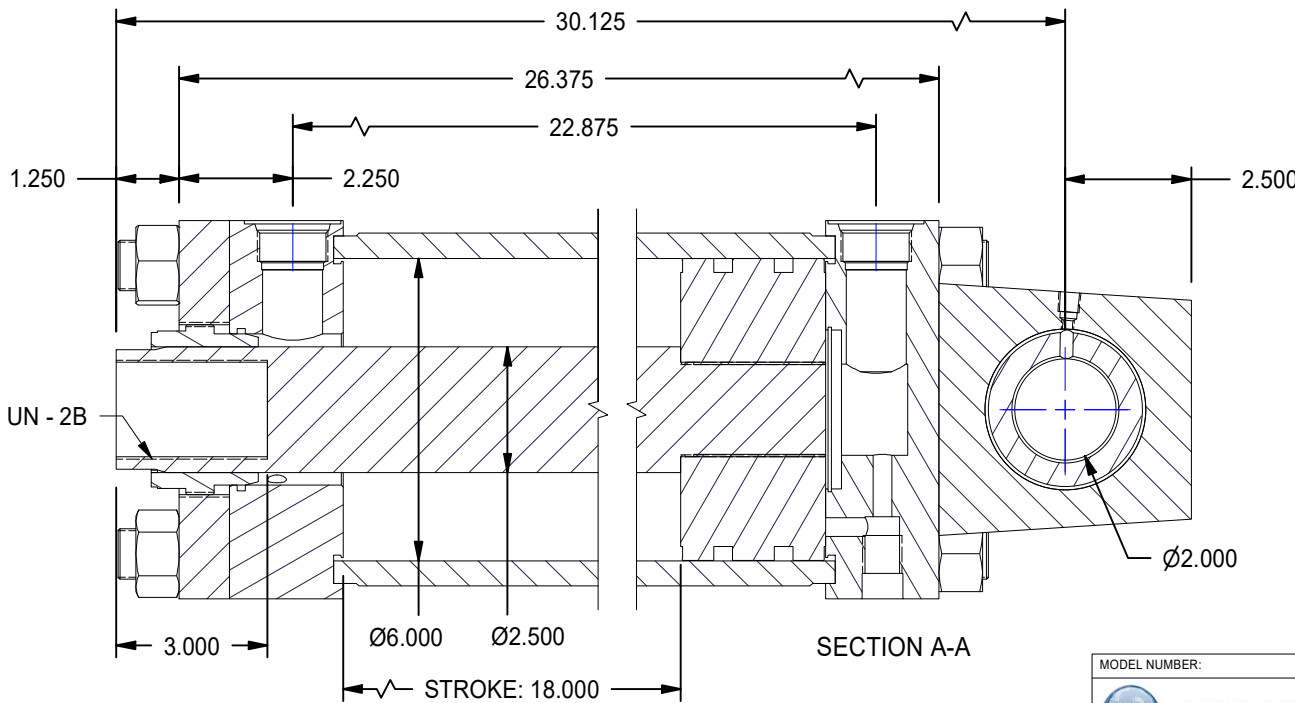
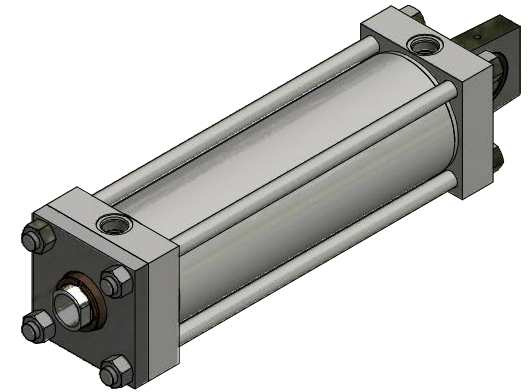
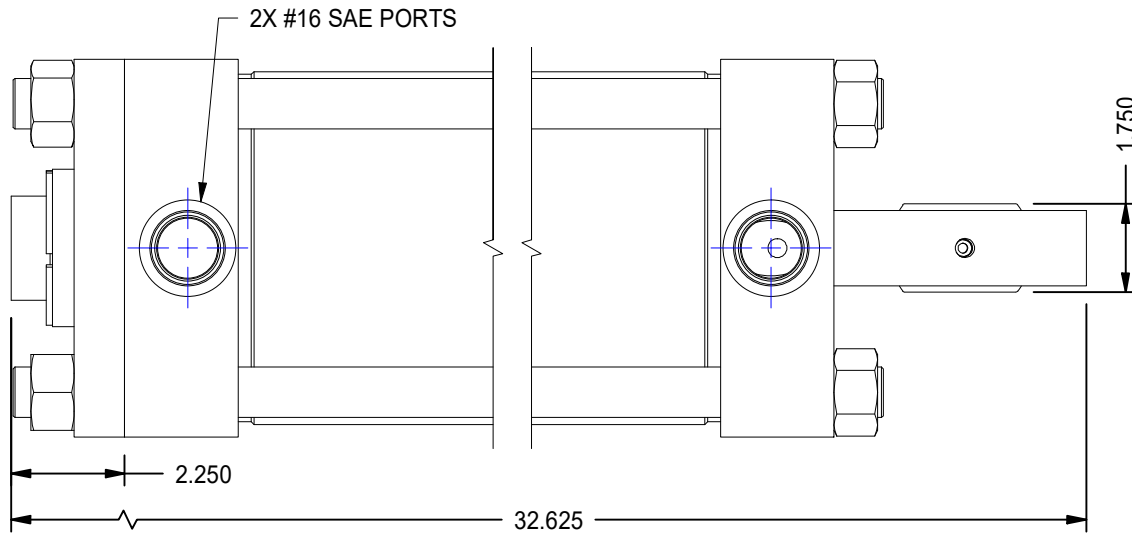


1

2



SECTION A-A

MODEL NUMBER:



PROJECT/CUSTOMER INFO:		DSGND:	DATE: 2013-03-07
		CAPACITY:	3000 PSI
		WEIGHT:	216.433 lbmass
SHEET SIZE: A	SHEET: 1 OF 1	FILENAME:	TRH6.00MP5LT14X18.00.idw
TITLE: TRH6.00MP5LT14X18.00			
DRAWING No:			REVISION:

DATE	INTL	DESCRIPTION	REV

1

2