

1

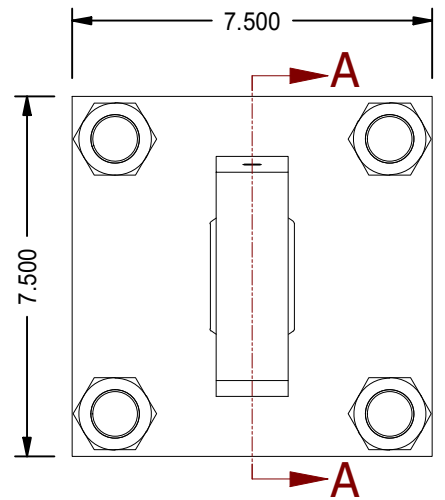
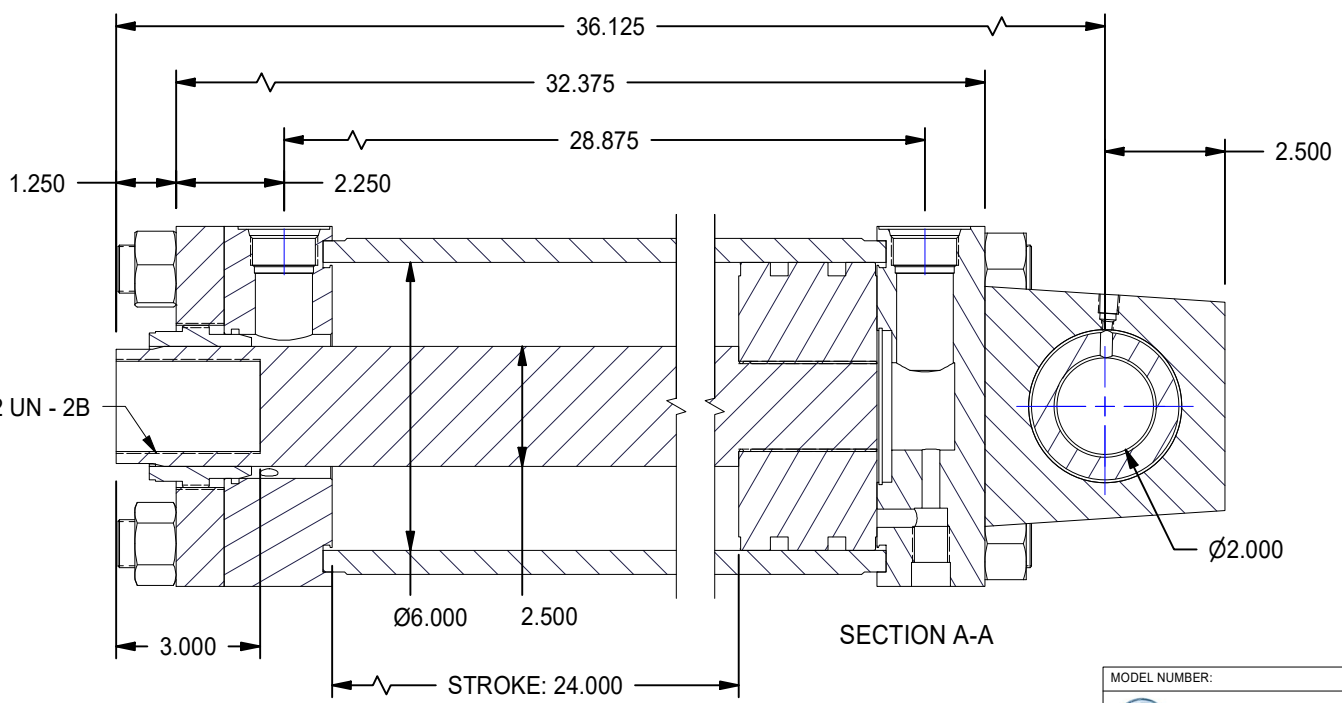
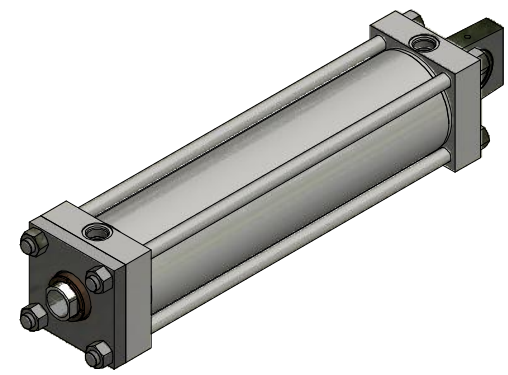
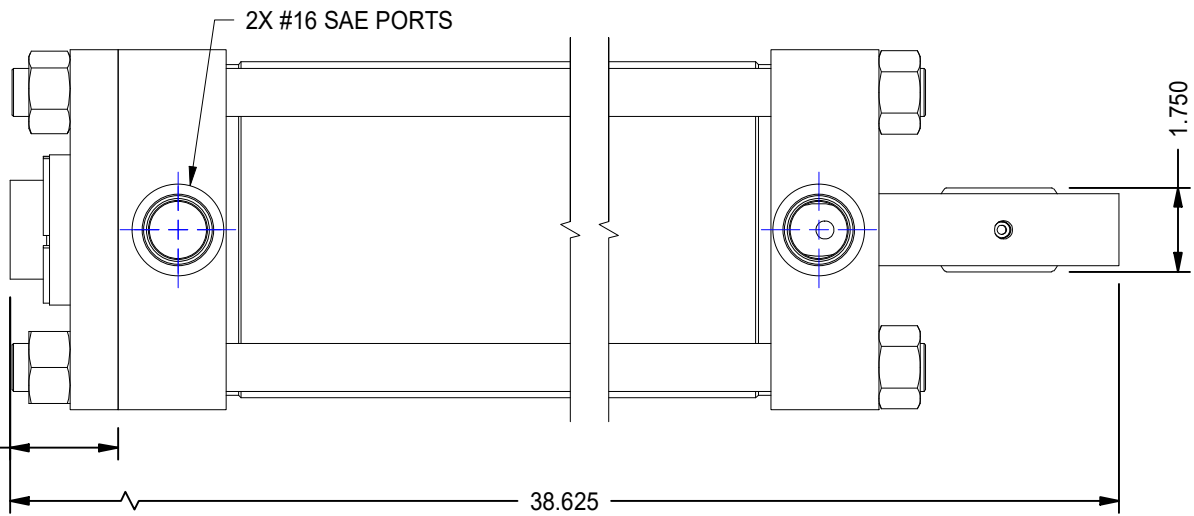
2


A

A

B

B



| | | | | | |
|---|--|------------------------|--|--|------------------|
| MODEL NUMBER: | | PROJECT/CUSTOMER INFO: | | DSGND: | DATE: 2013-03-07 |
|  TITAN WORLDWIDE INC. <small>75 Year History</small> <small>Clear title or graphic in case of power. One that stands out for greatness of achievement!</small> <small>PHONE: 807-474-5337 FAX: 807-623-5692 EMAIL: info@titanworldwide.com WEB: www.titanworldwide.com</small> | | CAPACITY: 3000 PSI | | SHEET SIZE: A SHEET: 1 OF 1 FILENAME: TRH6.00MP5LT14X24.00.idw | |
| | | WEIGHT: 247.494 lbmass | | TITLE: TRH6.00MP5LT14X24.00 | |
| 701 MONTREAL STREET THUNDER BAY, ON P7E 3P-2 CANADA TEL: 807-474-5337 FAX: 807-623-5692 www.titanworldwide.com | | | | DRAWING No: | |
| | | | | REVISION: | |

| DATE | INTL | DESCRIPTION | REV |
|------|------|-------------|-----|
| | | | |

1

2

