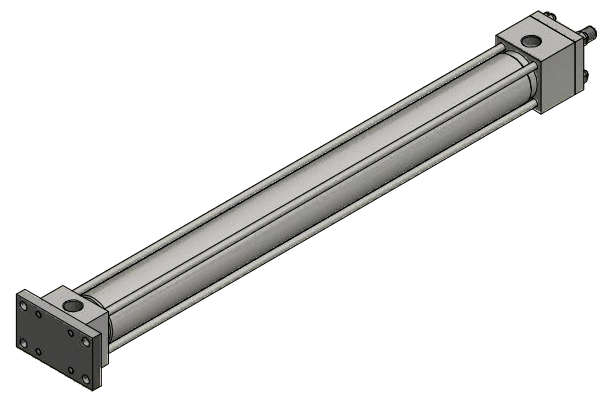
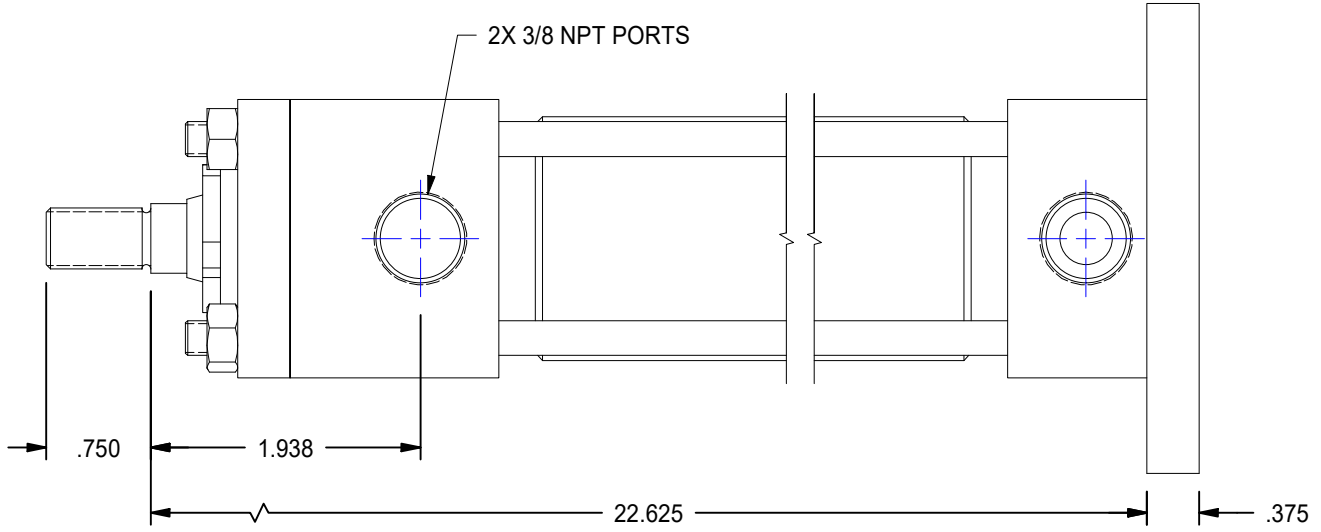


1

2

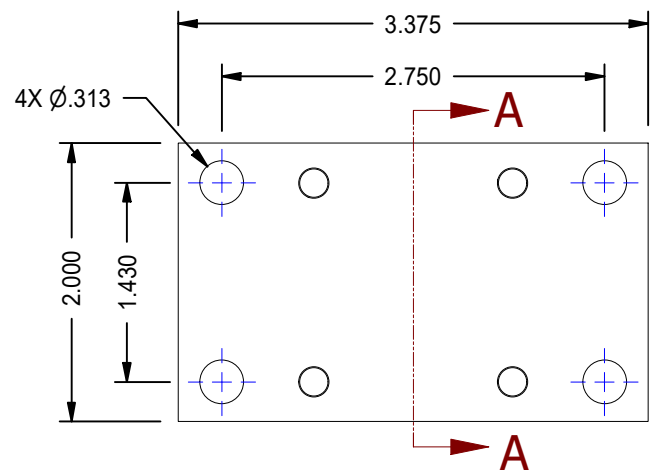
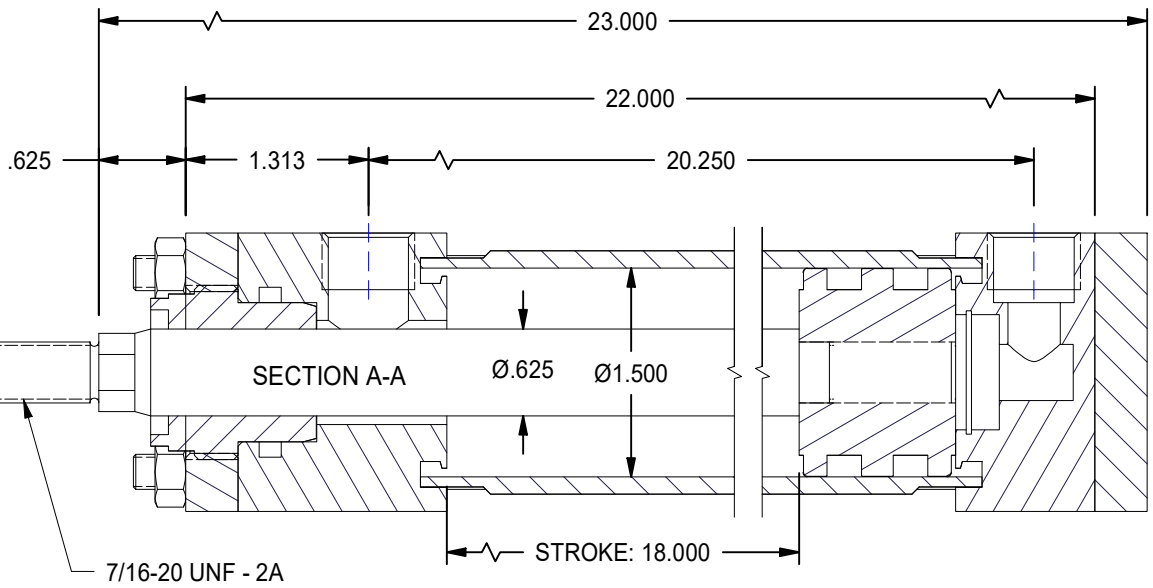
A

A



B


B



1

2

DATE	INTL	DESCRIPTION	REV

MODEL NUMBER:		PROJECT/CUSTOMER INFO:		DSGND:	DATE: 2013-03-07
 TITAN WORLDWIDE INC. <small>31 Year ISO 9001 Clear title or graphic in case of power. One that stands out for greatest of achievement!</small>		CAPACITY: 3000 PSI		WEIGHT: 10.196 lbmass	
		SHEET: A		SHEET: 1 OF 1	
701 MONTREAL STREET THUNDER BAY, ON P7E 3P-2 CANADA TEL: 807-474-5337 FAX: 807-623-5692 www.titanworldwide.com		TITLE: TRP1.50MF2LU14X18.00			
DRAWING No:					REVISION: