

1

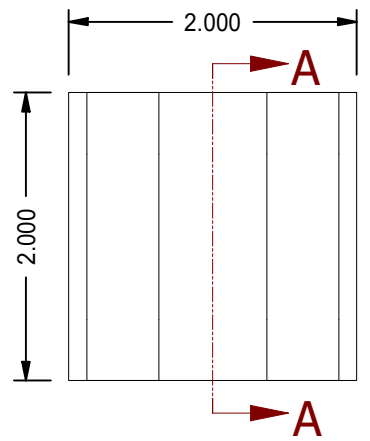
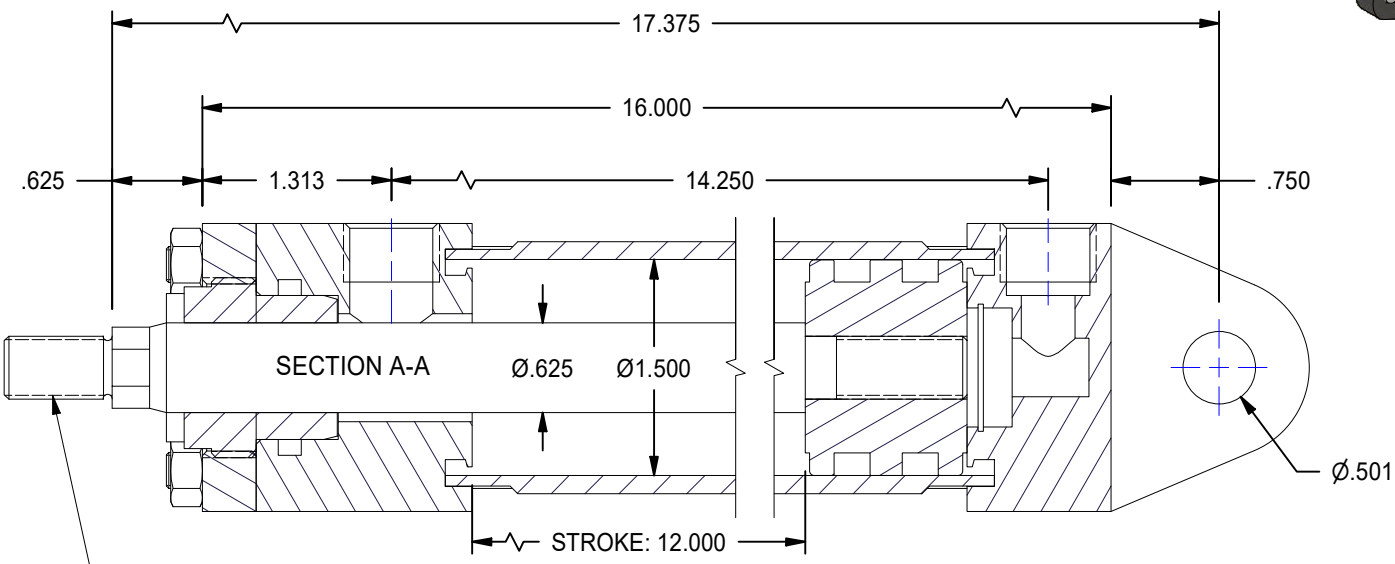
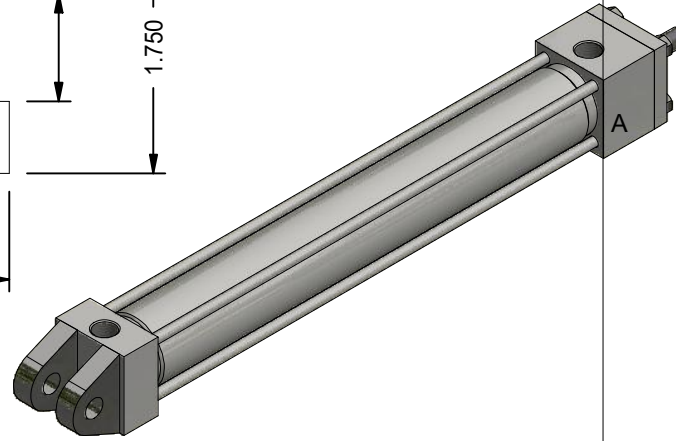
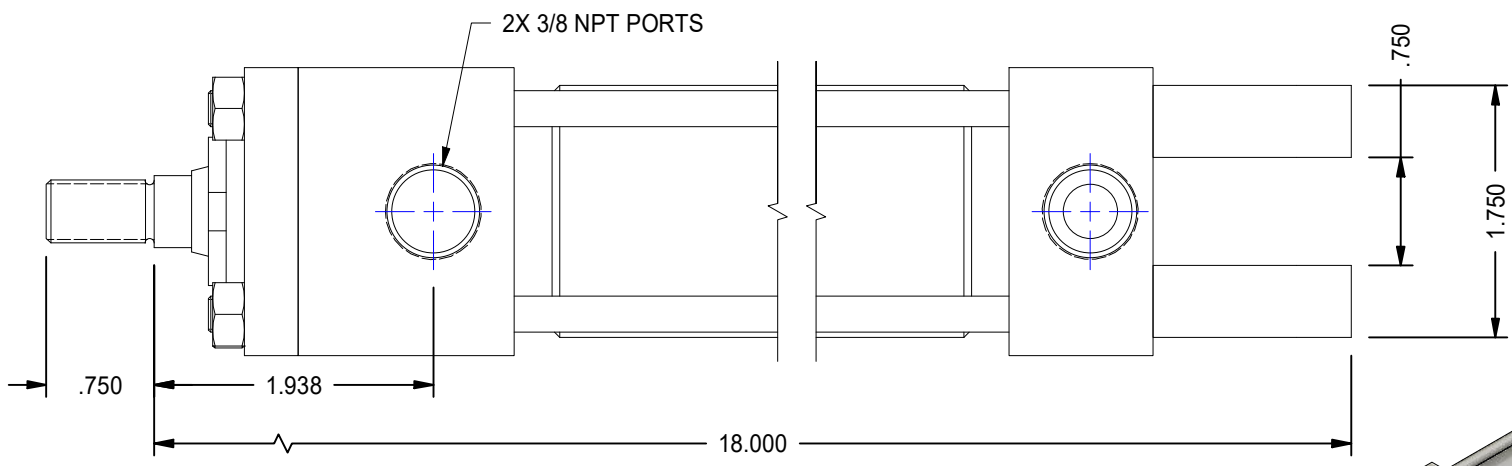
2


A

A

B

B



MODEL NUMBER:		PROJECT/CUSTOMER INFO:		DSGND:	DATE: 2013-03-07
 TITAN WORLDWIDE INC. <small>31 rue 5000, Clear Lake or Republic, in case of power. One that stands out for greatness of achievement</small>		CAPACITY: 3000 PSI		WEIGHT: 3.636 kg	
		SHEET: A SHEET: 1 OF 1 FILENAME: TRP1.50MP1LU14X12.00.idw		TITLE: TRP1.50MP1LU14X12.00	
701 MONTREAL STREET THUNDER BAY, ON P7E 3P-2 CANADA TEL: 807-474-5337 FAX: 807-623-5692 www.titanworldwide.com				DRAWING No:	
				REVISION:	

DATE	INTL	DESCRIPTION	REV

1

2

