

1

2

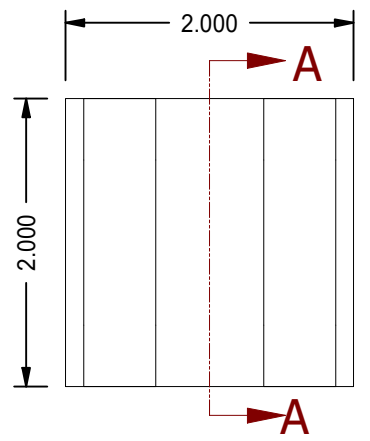
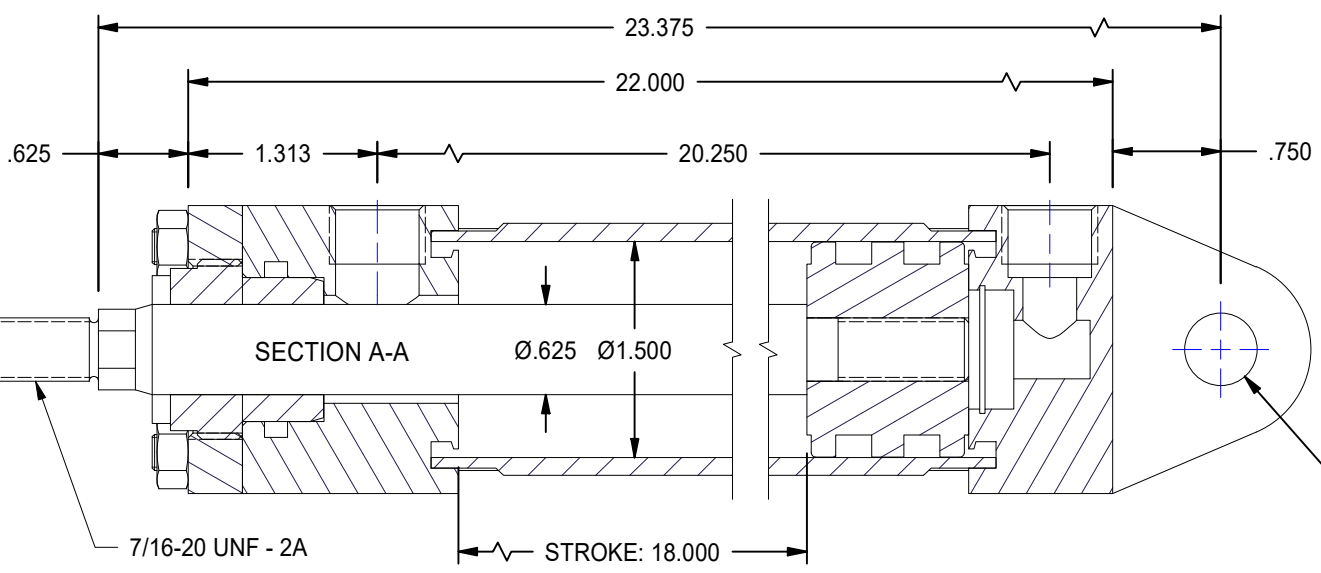
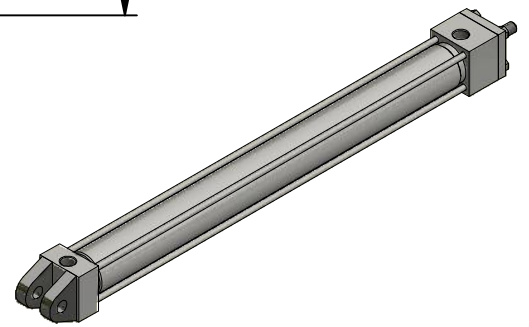
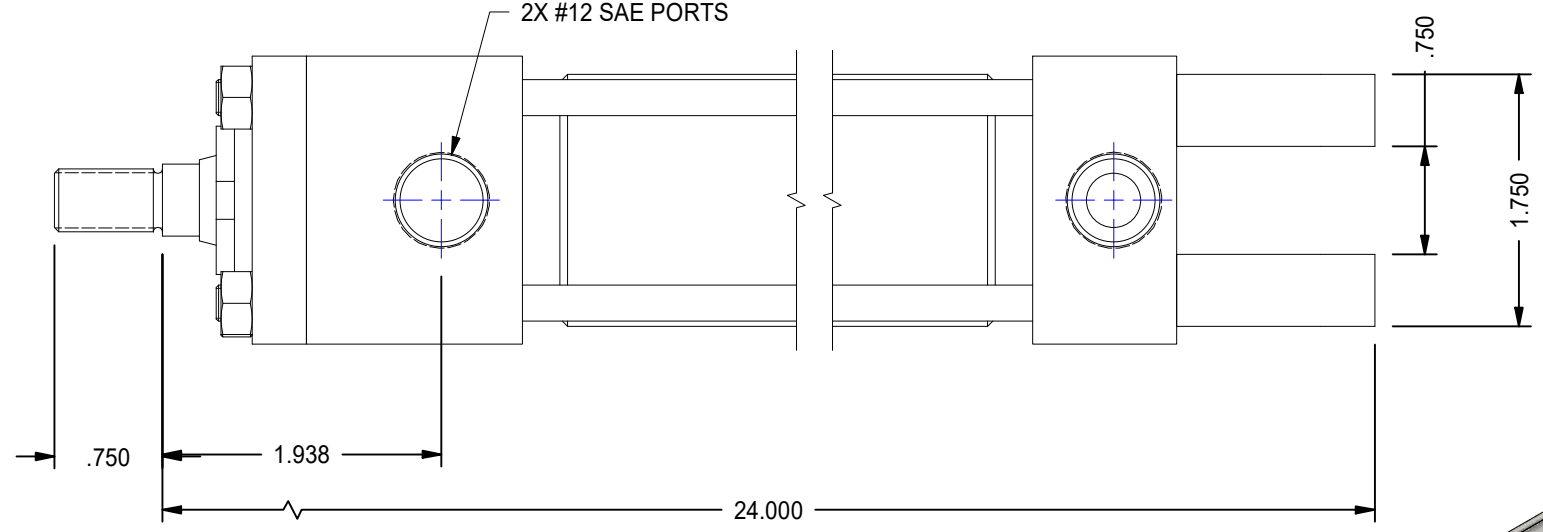
A


A

B

B

2X #12 SAE PORTS



MODEL NUMBER:		PROJECT/CUSTOMER INFO:		DSGND:	DATE: 2013-03-07	
 TITAN WORLDWIDE INC. <small>31 Year ISO 9001 Clear Fall or liquid in case of power. One that stands out for greatness of achievement!</small> PHONE: 807-474-5337 FAX: 807-423-5692 EMAIL: info@titanworldwide.com WEB: www.titanworldwide.com 701 MONTREAL STREET THUNDER BAY, ON P7E 3P2 CANADA TEL: 807-474-5337 FAX: 807-423-5692 www.titanworldwide.com		CAPACITY:	3000 PSI	SHEET SIZE:	A	
		WEIGHT:	4.525 kg	SHEET:	1 OF 1	
		FILENAME:		TRP1.50MP1LU14X18.00.idw		
		TITLE:				TRP1.50MP1LU14X18.00
		DRAWING No:			REVISION:	

1

2

DATE	INTL	DESCRIPTION	REV

1