

1

2

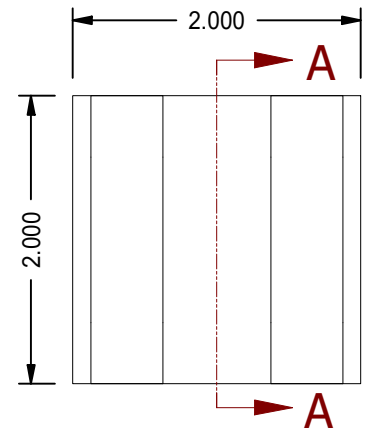
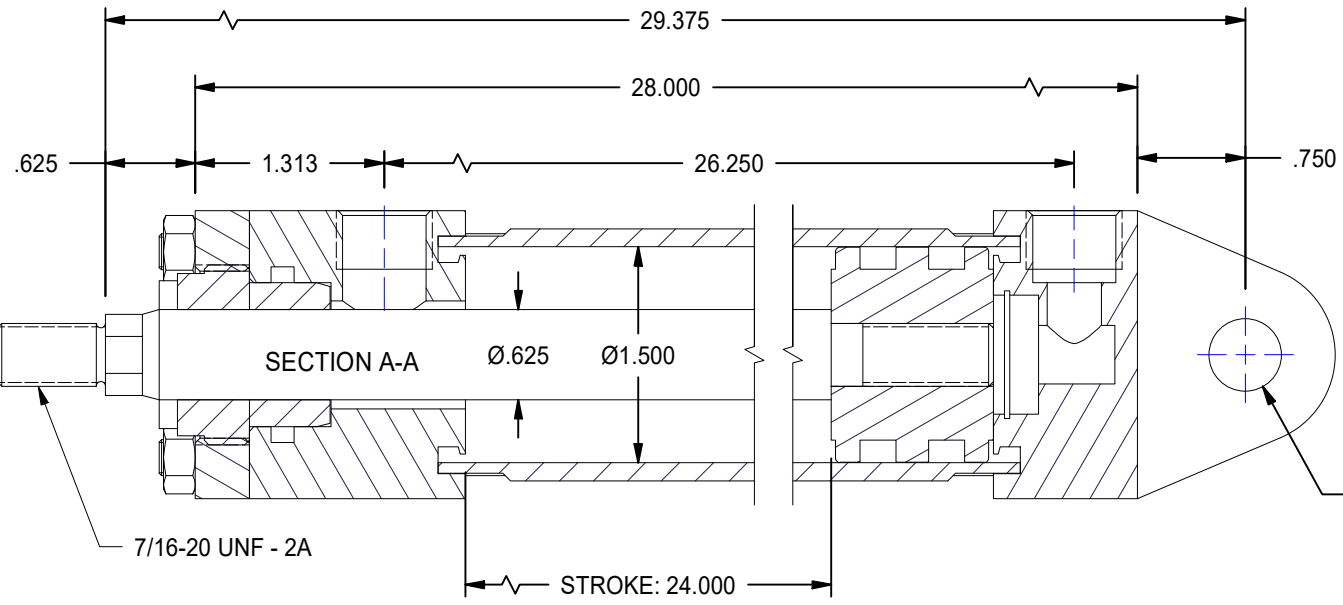
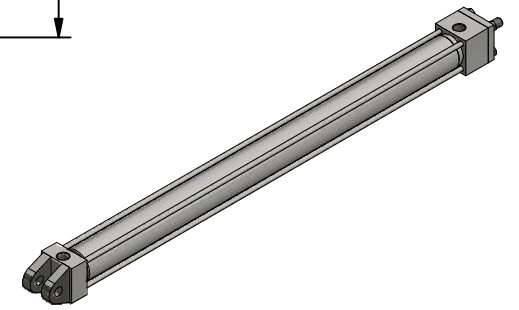
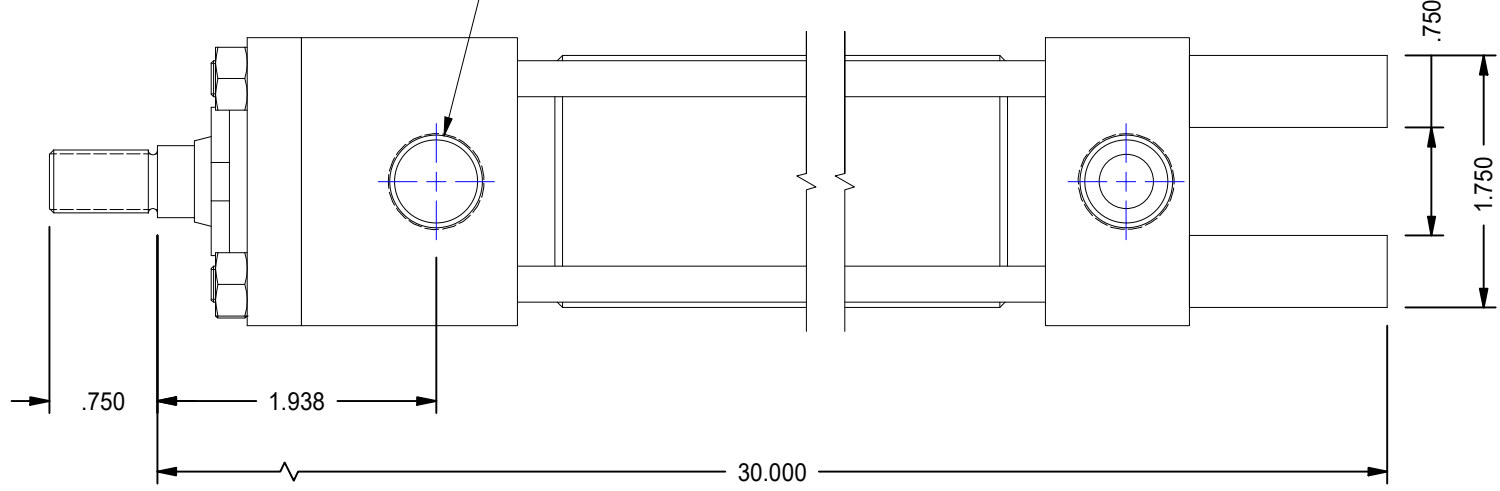
A


A

B

B

2X 3/8 NPT PORTS



MODEL NUMBER:		PROJECT/CUSTOMER INFO:		DSGND:	DATE: 2013-03-07
 <b>TITAN WORLDWIDE INC.</b> <small>31 Year ISO 9001</small> <small>Clear title or graphic in case of power. One that stands out for greatest of effectiveness</small> <small>PHONE: 807-474-5337 FAX: 807-623-5692 EMAIL: info@titanworldwide.com WEB: www.titanworldwide.com</small>		CAPACITY: 3000 PSI		SHEET SIZE: A	
		WEIGHT: 5.413 kg		SHEET: 1 OF 1	
701 MONTREAL STREET THUNDER BAY, ON P7E 3P-2 CANADA TEL: 807-474-5337 FAX: 807-623-5692 www.titanworldwide.com		FILENAME: TRP1.50MP1LU14X24.00.idw		TITLE: TRP1.50MP1LU14X24.00	
		DRAWING No:		REVISION:	
		TRP1.50MP1LU14X24.00			

DATE	INTL	DESCRIPTION	REV

1

2

