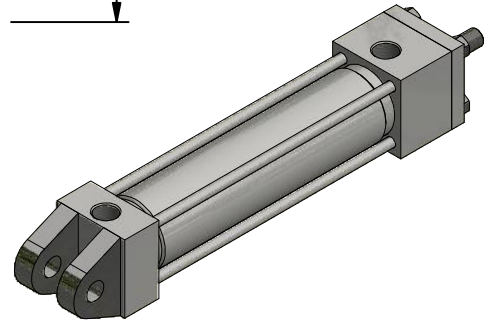
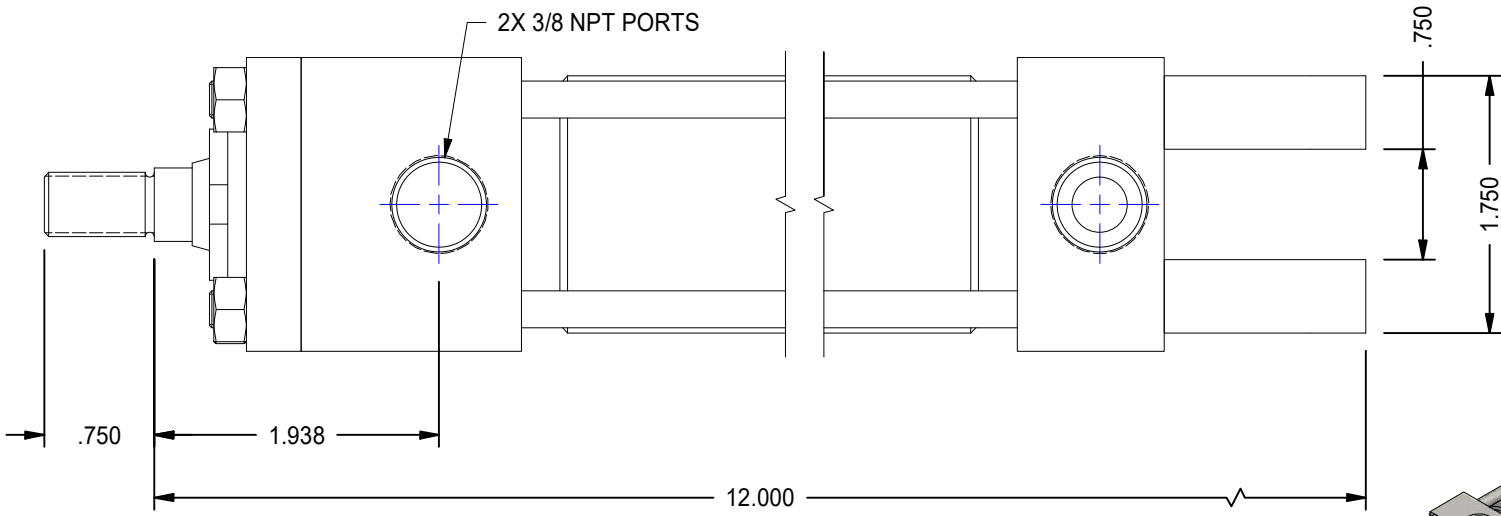


1

2

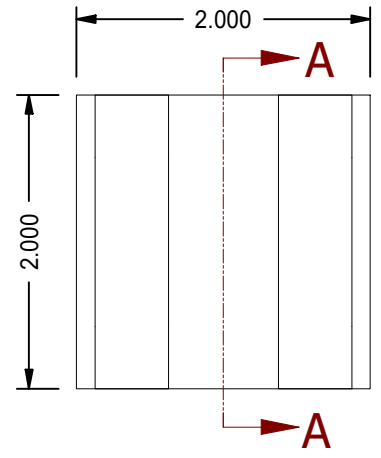
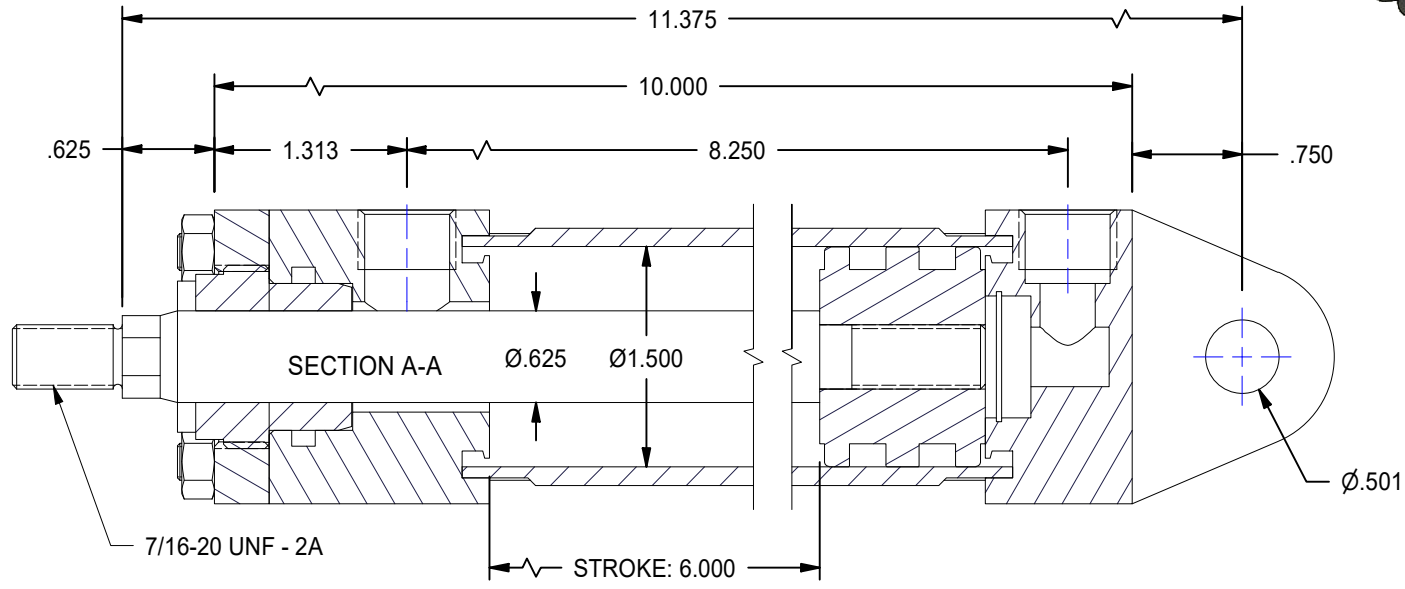
A

A



B


B



1

2

DATE	INTL	DESCRIPTION	REV

MODEL NUMBER:		PROJECT/CUSTOMER INFO:		DSGND:	DATE: 2013-03-07
 <b>TITAN WORLDWIDE INC.</b> <small>31 Sun 10th St.          Clear Lake, CA 94631          Clear Lake is located in state of power. One that stands out for          greatness of achievement!</small>		CAPACITY: 3000 PSI		WEIGHT: 6.058 lbmass	
		SHEET: A		SHEET: 1 OF 1	
701 MONTREAL STREET THUNDER BAY, ON P7E 3P-2 CANADA TEL: 807-474-5337 FAX: 807-623-5692 www.titanworldwide.com		TITLE: TRP1.50MP1LU14X6.00			
DRAWING No:					REVISION: