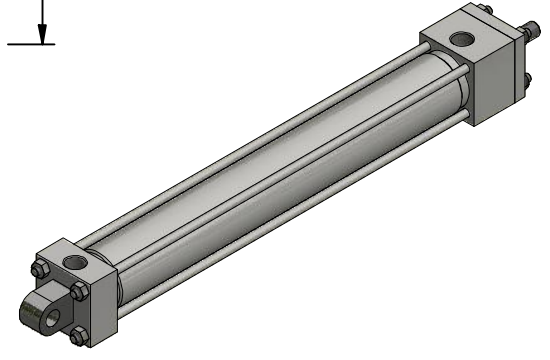
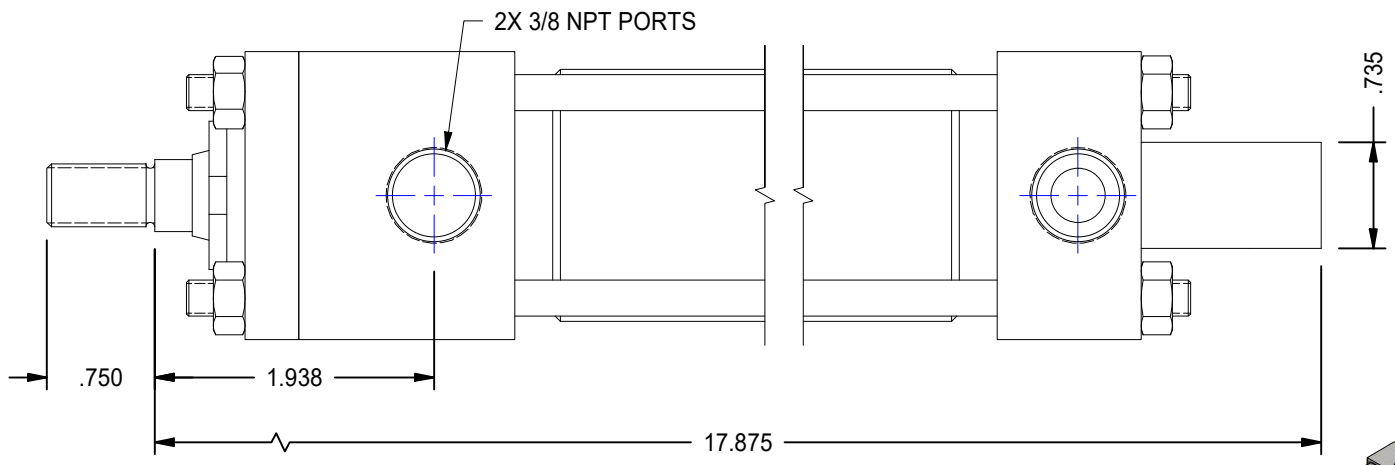


1

2

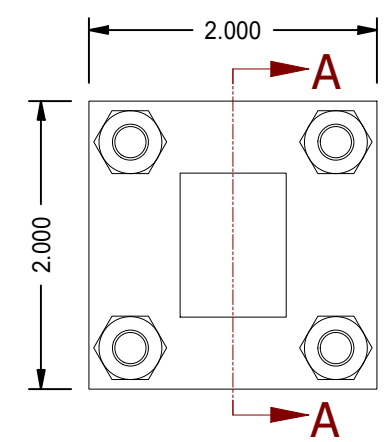
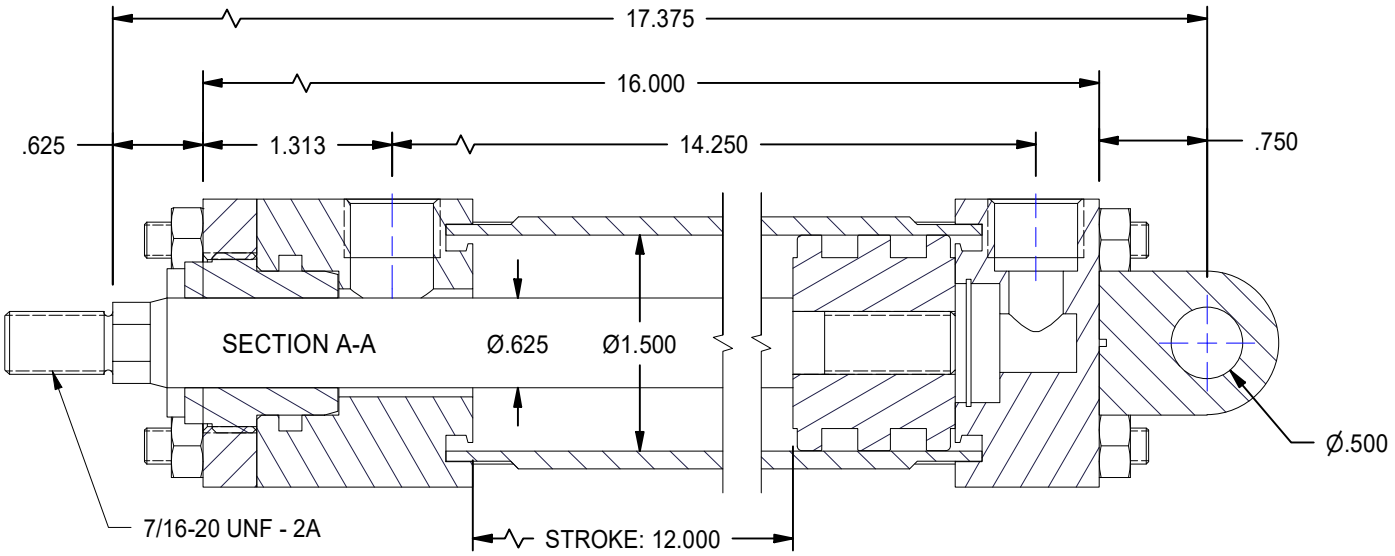
A


A



B

B



MODEL NUMBER:		PROJECT/CUSTOMER INFO:		DSGND:	DATE: 2013-03-07	
 TITAN WORLDWIDE INC. <small>31 rue 88th St. Clear Lake, CA 94535 Clear Lake is adjacent to state or power. One that stands out for greatness of achievement!</small>		CAPACITY: 250 PSI		WEIGHT: 7.796 lbmass		
		SHEET: A		SHEET: 1 OF 1		FILENAME: TRP1.50MP3LU14X12.00.idw
701 MONTREAL STREET THUNDER BAY, ON P7E 3P2 CANADA TEL: 807-474-5337 FAX: 807-623-5692 www.titanworldwide.com		TITLE: TRP1.50MP3LU14X12.00				
DRAWING No:					REVISION:	

1

2

DATE	INTL	DESCRIPTION	REV

1