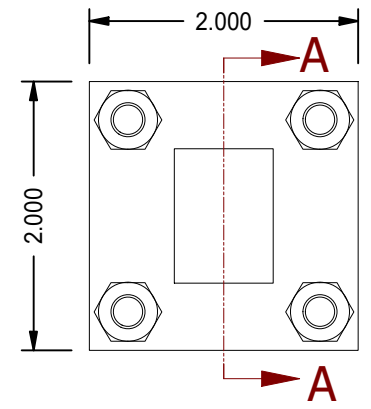
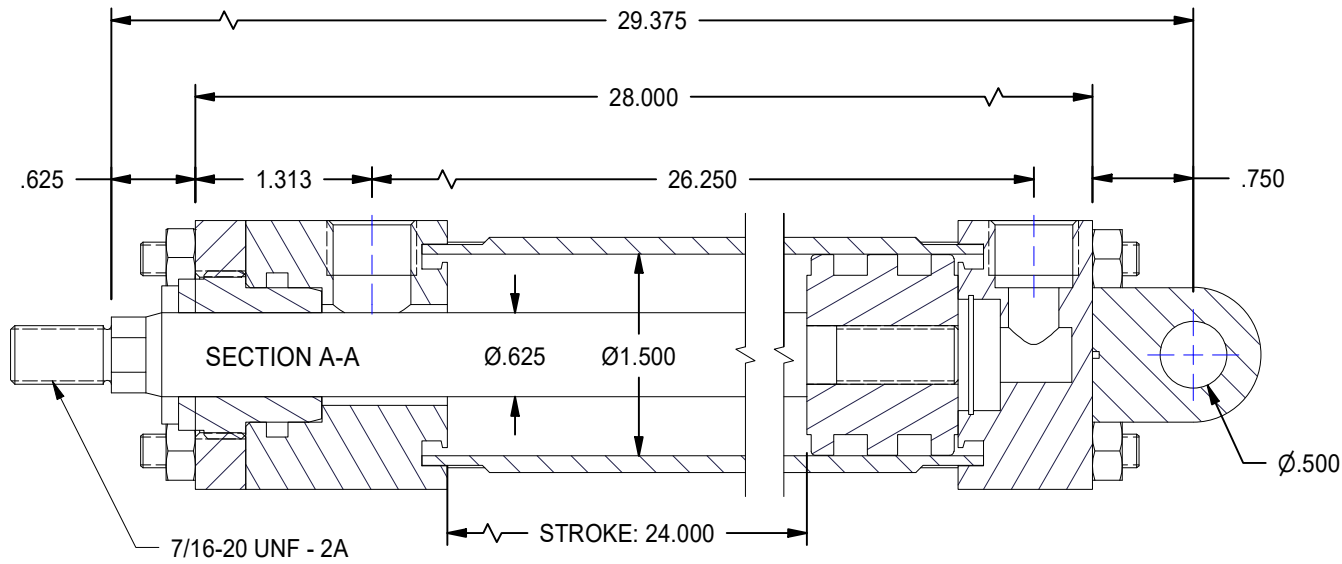
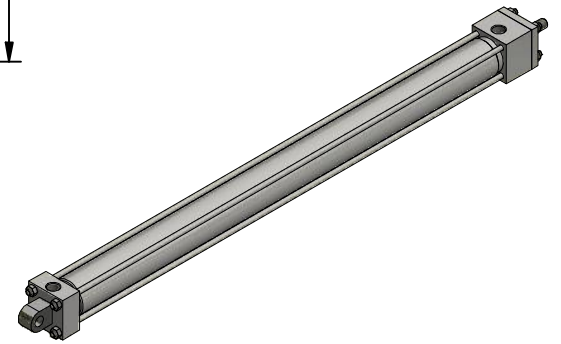
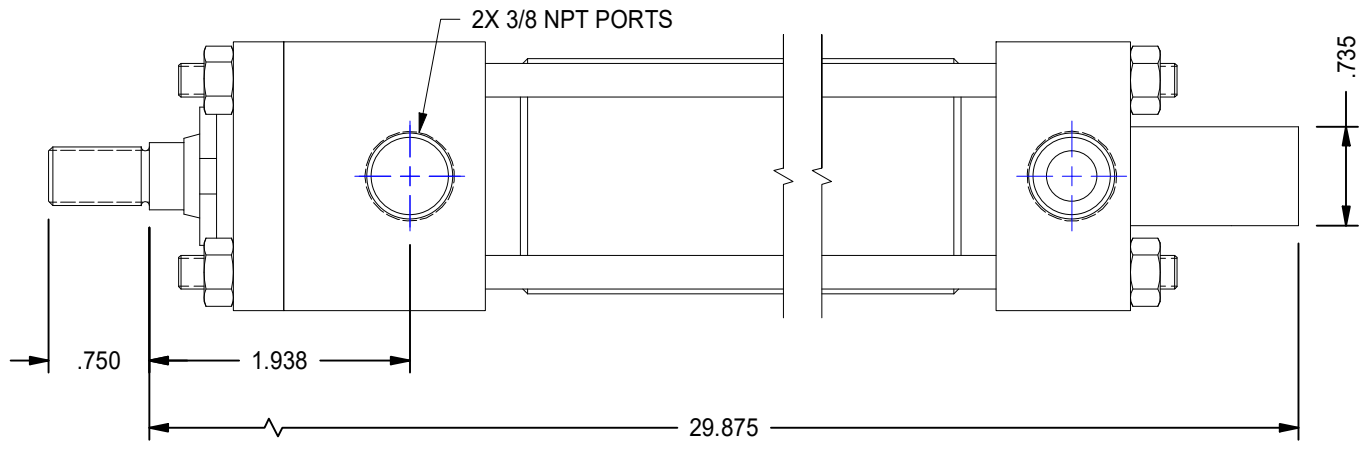


1

2



A

A


B

B

1

2

| DATE | INTL | DESCRIPTION | REV |
|------|------|-------------|-----|
|      |      |             |     |

|  |  |   |  |                             |                  |
|--|--|---|--|-----------------------------|------------------|
| MODEL NUMBER:  |  | PROJECT/CUSTOMER INFO:                                    |  | DSGND:                      | DATE: 2013-03-07 |
|  <b>TITAN WORLDWIDE INC.</b><br><small>75 ton 3000 LBS.<br/>Clear full at hydraulic in case of power. One that stands out for greatness of achievement!</small> |  | CAPACITY: 250 PSI   |  | WEIGHT: 11.714 lbmass       |                  |
|  |  | SHEET: A SHEET: 1 OF 1 FILENAME: TRP1.50MP3LU14X24.00.idw |  | TITLE: TRP1.50MP3LU14X24.00 |                  |
| 701 MONTREAL STREET<br>THUNDER BAY, ON<br>P7E 3P-2<br>CANADA<br>TEL: 807-474-5337<br>FAX: 807-623-5692<br>www.titanworldwide.com   |  |   |  | DRAWING No:                 |                  |
|  |  |   |  |                             | REVISION:        |